

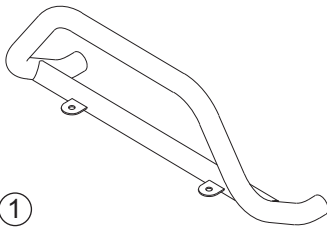
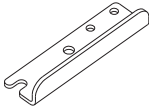
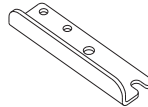
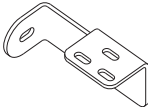
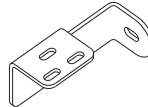


SIGNATURE OF QUALITY

AUTOMOTIVE PRODUCTS, INC.

INSTRUCTIONS

APPLICATION: 1999-05 SUZUKI GRAND VITARA/
GRAND VITARA XL-7

<p>SAFARI BAR ASSEMBLY</p> <p>30-0020 30-0025</p> <p>MOUNT KIT</p> <p>30-1305</p>	 <p>①</p>	 <p>②</p>	 <p>③</p>	 <p>④</p>	 <p>⑤</p>
---	--	---	--	--	--

ITEM	QTY	CONTENTS	TOOLS
1	1	SAFARI BAR ASSEMBLY (PURCHASED SEPARATELY)	3/4" SOCKET
2,3	2	TOP BRACKET, PASSENGER (2) AND DRIVER (3)	3/4" WRENCH
4,5	2	BOTTOM BRACKET, PASSENGER (4) AND DRIVER (5)	9/16" SOCKET
6	2	1/2-13 X 2.00" HEX HEAD BOLT	9/16" WRENCH
7	2	1/2" FLAT WASHER	17MM SOCKET
8	2	1/2" LOCK WASHER	17MM WRENCH
9	6	3/8-16 X 1.25" HEX HEAD BOLT	RATCHET
10	12	3/8" FLAT WASHER	TORQUE WRENCH
11	6	3/8" LOCK WASHER	
12	6	3/8-16 HEX NUT	

- STEP 1. Remove the contents from box and check for damage. Verify all parts are present. Read instructions completely before beginning.
- STEP 2. Determine passenger and driver top and bottom brackets. Assemble brackets as shown using 3/8" yellow zinc fasteners. Leave loose. **SEE FIGURE 1.**
- STEP 3. Remove outside/front bolt from front cross member. Loosen rear bolt to sufficiently clear bracket assembly. **DO NOT REMOVE REAR BOLT COMPLETELY.**
CAUTION: Weight of vehicle must be on wheels during installation.
- STEP 4. Slide appropriate Safari Bar bracket onto rear bolt. Reinstall front bolt and tighten both hand tight. Repeat for opposite side of vehicle. **SEE FIGURE 1.**
- STEP 5. Attach Safari Bar to mount brackets using 1/2" fasteners. Level and adjust Safari Bar as desired and tighten all fasteners. Recommended torque values are 26 Ft. Lbs. for 3/8" yellow zinc fasteners and 64 Ft. Lbs. for 1/2" fasteners and 86 Ft. Lbs. for existing 12mm fasteners.

FINISH PROTECTION

Westin products have a high quality finish that must be cared for like any other exposed finish on the vehicle. Protect the finish with a non-abrasive automotive wax, (e.g. Pure Carnauba) on a regular basis. The use of any soap, polish or wax that contains an abrasive is detrimental, as the compounds scratch the finish and open it to corrosion.

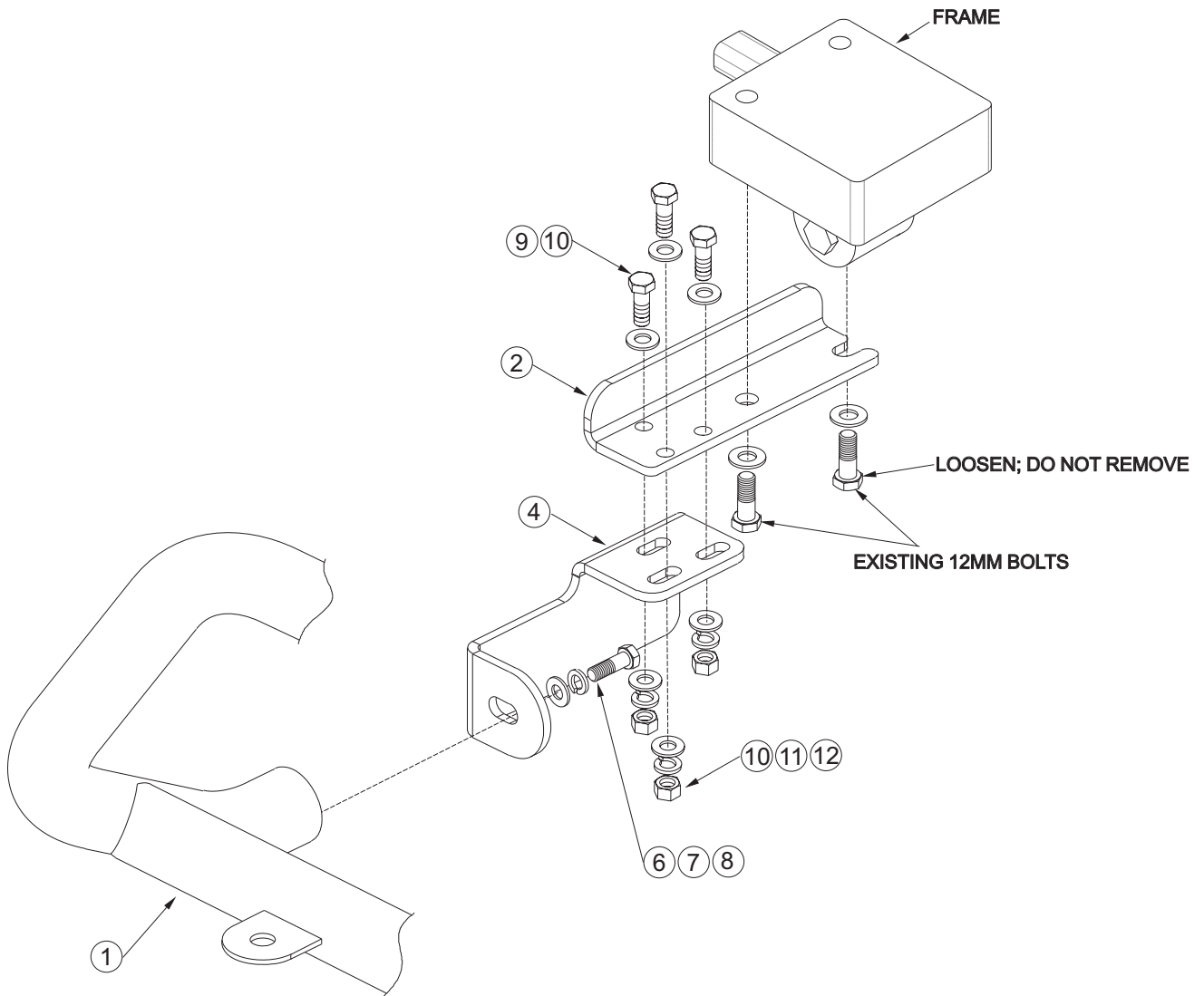


FIGURE 1 INSTALLATION VIEW OF PASSENGER SIDE, DRIVER SIDE OPPOSITE



Thank You for choosing Westin products.

Shop for quality Westin products on our website.

Buy grille guards and bull bars in our online store.