



SIGNATURE OF QUALITY

INSTRUCTIONS

APPLICATION: 1999-04 CHEVROLET TRACKER

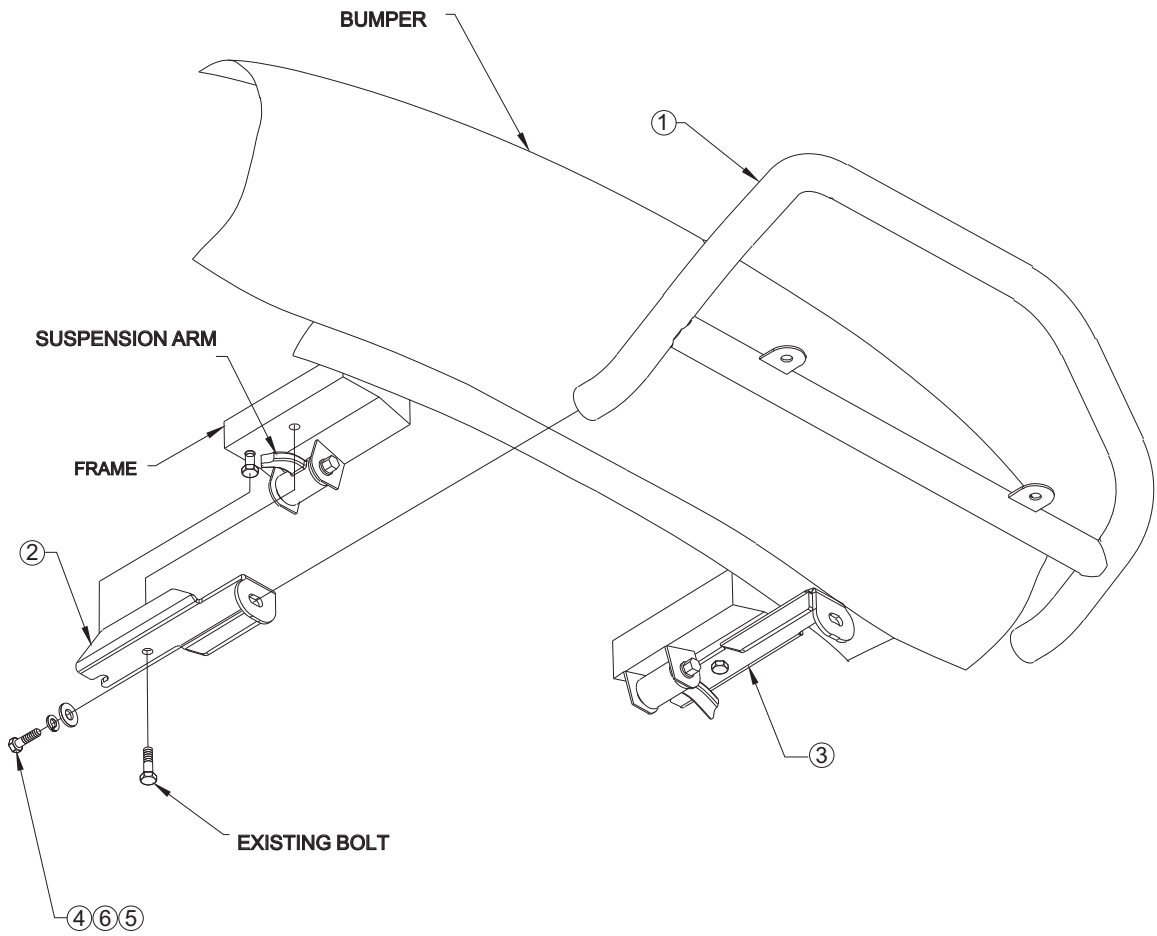
AUTOMOTIVE PRODUCTS, INC.

SAFARI BAR ASSEMBLY				
30-0020	30-0025			
MOUNT KIT				
30-1275				
ITEM	QTY	CONTENTS	TOOLS	
1	1	SAFARI BAR ASSEMBLY (PURCHASED SEPARATELY)	3/4" SOCKET	
2,3	2	BRACKET, PASSENGER (2) AND DRIVER (3)	17MM SOCKET	
4	2	1/2-13 X 2.00" HEX HEAD BOLT	17MM WRENCH	
5	2	1/2" FLAT WASHER	RATCHET	
6	2	1/2" LOCK WASHER	TORQUE WRENCH	

- STEP 1. Remove the contents from box and check for damage. Verify all parts are present. Read instructions completely before beginning.
- STEP 2. Determine passenger and driver brackets.
- STEP 3. Remove outside/front bolt from front cross member. Loosen rear bolt to sufficiently clear bracket. **DO NOT REMOVE COMPLETELY.**
CAUTION: Weight of vehicle must be on wheels during installation.
- STEP 4. Slide bracket onto rear bolt. Reinstall front bolt and hand tighten both. Repeat for opposite side of vehicle.
- STEP 5. Attach Safari Bar to mount brackets using 1/2" fasteners. Level and adjust Safari Bar as desired and tighten all fasteners. **SEE FIGURE 2.** Recommended torque values are 64 Ft. Lbs. for 1/2" fasteners and

FINISH PROTECTION

Westin products have a high quality finish that must be cared for like any other exposed finish on the vehicle. Protect the finish with a non-abrasive automotive wax, (e.g. Pure Carnauba) on a regular basis. The use of any soap, polish or wax that contains an abrasive is detrimental, as the compounds scratch the finish and open it to corrosion.



Thank You for choosing Westin products.