



SIGNATURE OF QUALITY

INSTRUCTIONS

APPLICATION: 2002-05 FORD EXPLORER 4 DOOR

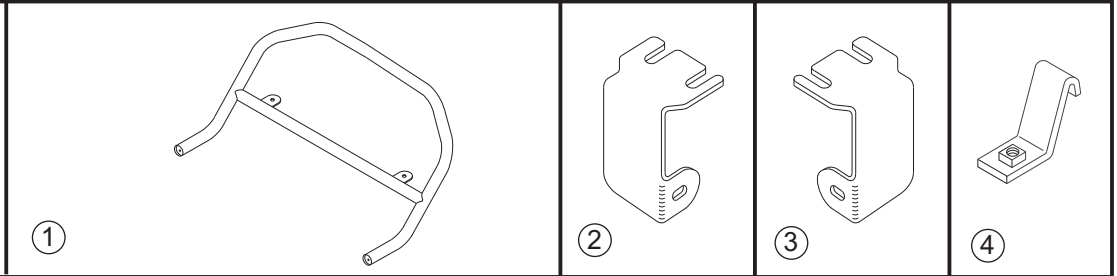
AUTOMOTIVE PRODUCTS, INC.

SAFARI BAR ASSEMBLY

30-0020 30-0025

MOUNT KIT

30-1185



ITEM	QTY	CONTENTS	TOOLS
1	1	SAFARI BAR ASSEMBLY (PURCHASED SEPARATELY)	3/4" SOCKET 9/16" SOCKET RATCHET SOCKET EXTENSION TORQUE WRENCH
2,3	2	BRACKET, PASSENGER (2) AND DRIVER (3)	
4	4	NUT PLATE	
5	2	1/2-13 X 2.00" HEX HEAD BOLT	
6	2	1/2" FLAT WASHER	
7	2	1/2" LOCK WASHER	
8	4	3/8-16 X 1.25" HEX HEAD BOLT	
9	4	3/8" FLAT WASHER	
10	4	3/8" LOCK WASHER	

- STEP 1. Remove the contents from box and check for damage. Verify all parts are present. Read instructions completely before beginning.
- STEP 2. Determine passenger and driver brackets. Locate the oblong and two round holes just below body mount on bottom side of frame.
- STEP 3. Insert nut plates through oblong holes in bottom of frame and position over round holes. Start the 3/8" yellow zinc fasteners into bolt plates. **SEE FIGURE 1.**
- STEP 4. Slide brackets onto the 3/8" yellow zinc fasteners making sure the washers are to the outside of brackets and not against frame. Hand tighten.
- STEP 5. Attach Safari Bar to mount brackets using 1/2" fasteners. Level and adjust Safari Bar as desired and tighten all fasteners. Recommended torque values are 26 Ft. Lbs. for 3/8" fasteners and 64 Ft. Lbs. for 1/2" fasteners.

FINISH PROTECTION

Westin products have a high quality finish that must be cared for like any other exposed finish on the vehicle. Protect the finish with a non-abrasive automotive wax, (e.g. Pure Carnauba) on a regular basis. The use of any soap, polish or wax that contains an abrasive is detrimental, as the compounds scratch the finish and open it to corrosion.

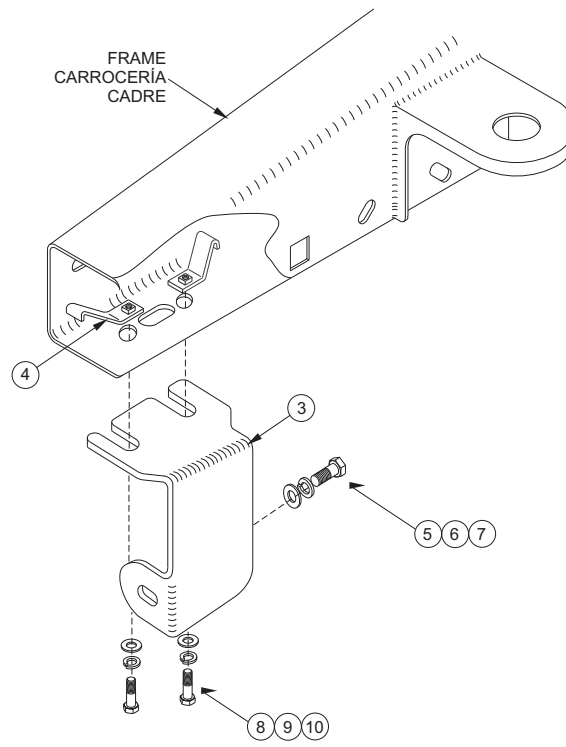


FIGURE 1 INSTALLATION VIEW OF DRIVER SIDE SHOWN, PASSENGER SIDE OPPOSITE



Thank You for choosing Westin products.