



SIGNATURE OF QUALITY

INSTRUCTIONS

APPLICATION: 1997-01 HONDA CRV

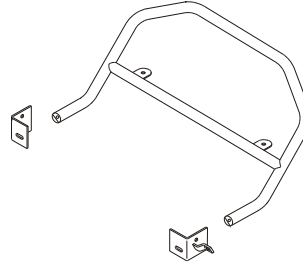
AUTOMOTIVE PRODUCTS, INC.

SAFARI BAR ASSEMBLY

30-0000 30-0005

MOUNT KIT

30-1005



ITEM	QTY	CONTENTS	TOOLS
1	1	SAFARI BAR ASSEMBLY (PURCHASED SEPARATELY)	3/4" SOCKET
2,3	2	BRACKET, PASSENGER (2) AND DRIVER (3)	3/4" WRENCH
4	2	BACKING PLATE	9/16" SOCKET
5	2	1/2-13 X 2.00" HEX HEAD BOLT	9/16" WRENCH
6	2	1/2" FLAT WASHER	1/2" SOCKET
7	2	1/2" LOCK WASHER	1/2" WRENCH
8	2	3/8-16 X 1.50" HEX HEAD BOLT	RATCHET
9	4	3/8" FLAT WASHER	TORQUE WRENCH
10	2	3/8" LOCK WASHER	
11	2	3/8-16 HEX NUT	
12	2	5/16-18 X 1.00" HEX HEAD BOLT	
13	4	5/16" FLAT WASHER	
14	2	5/16" LOCK WASHER	
15	2	5/16-18 HEX NUT	

- STEP 1. Remove the contents from box and check for damage. Verify all parts are present. Read instructions completely before beginning.
- STEP 2. Determine passenger and driver brackets. Attach brackets using 5/16" and 3/8" fasteners through tabs. Leave loose. **SEE FIGURES 1, 2 AND 3.**
- STEP 3. Install backing plate using 3/8" fasteners. **SEE FIGURES 3 AND 4.**
- STEP 4. Attach Safari Bar using 1/2" fasteners. **SEE FIGURES 3 AND 4.**
- STEP 5. Level and adjust Safari Bar as desired and tighten all fasteners. Recommended torque values are 64 Ft. Lbs. for 1/2" fasteners, 26 Ft. Lbs. for 3/8" fasteners, and 15 Ft. Lbs. for 5/16" fasteners.

FINISH PROTECTION

Westin products have a high quality finish that must be cared for like any other exposed finish on the vehicle. Protect the finish with a non-abrasive automotive wax, (e.g. Pure Carnauba) on a regular basis. The use of any soap, polish or wax that contains an abrasive is detrimental, as the compounds scratch the finish and open it to corrosion.

FIGURE 1

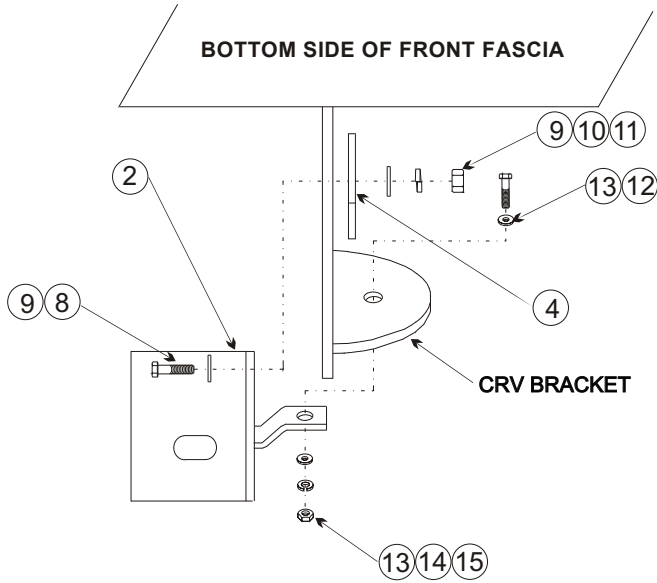


FIGURE 4

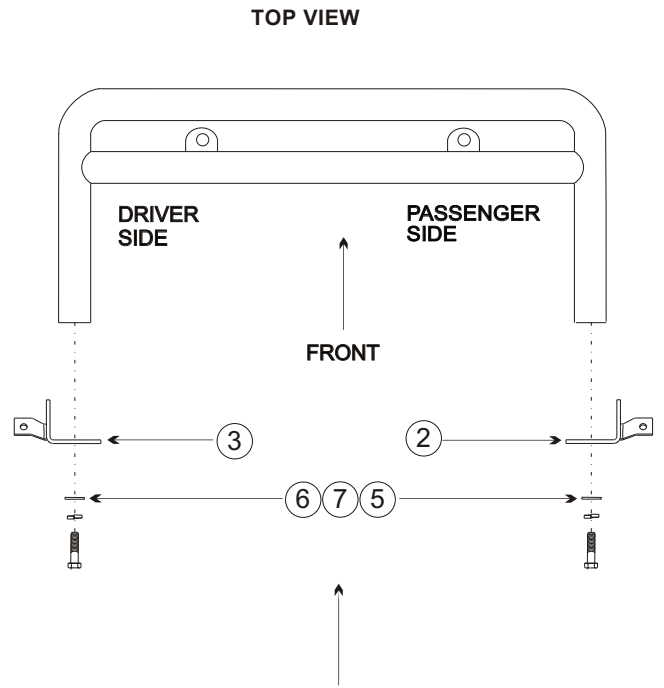


FIGURE 2
SIDE VIEW

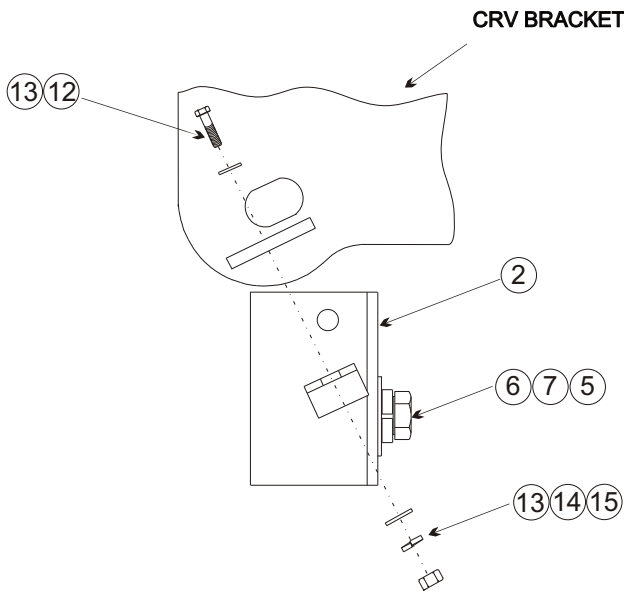
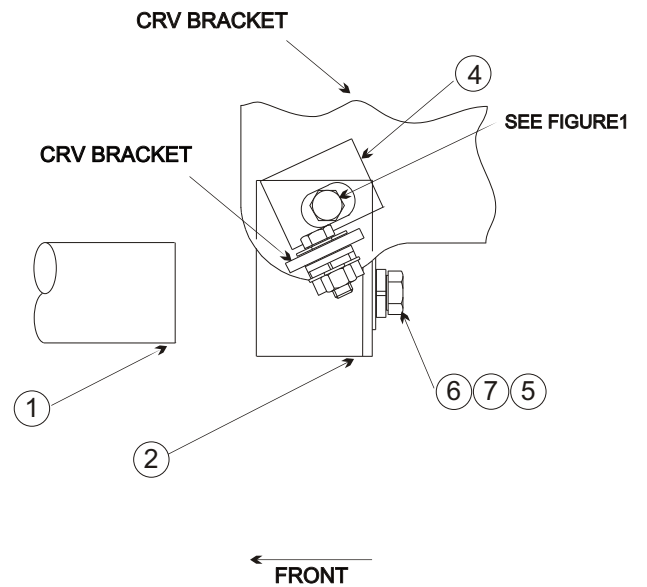


FIGURE 3
SIDE VIEW



AUTOMOTIVE PRODUCTS, INC.

Shop for quality Westin products on our website.

Thank You for choosing Westin products.

Buy grille guards and bull bars in our online store.