

# INSTALLATION INSTRUCTIONS

## R5 NERF STEP BARS

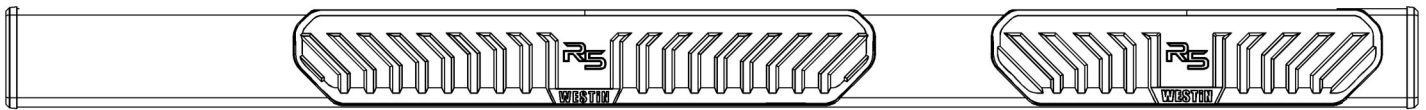


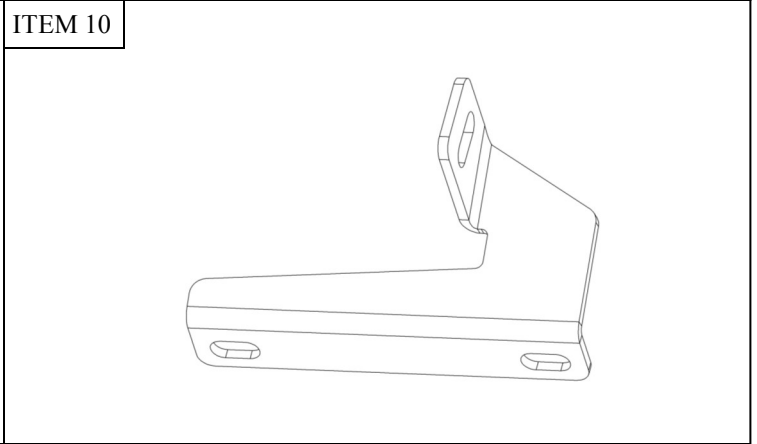
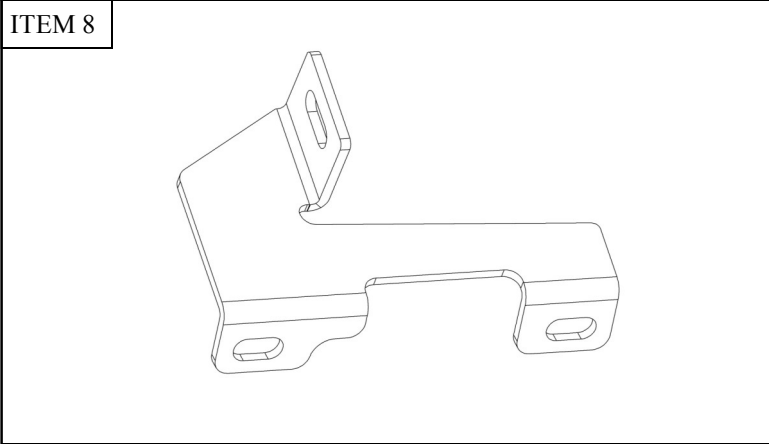
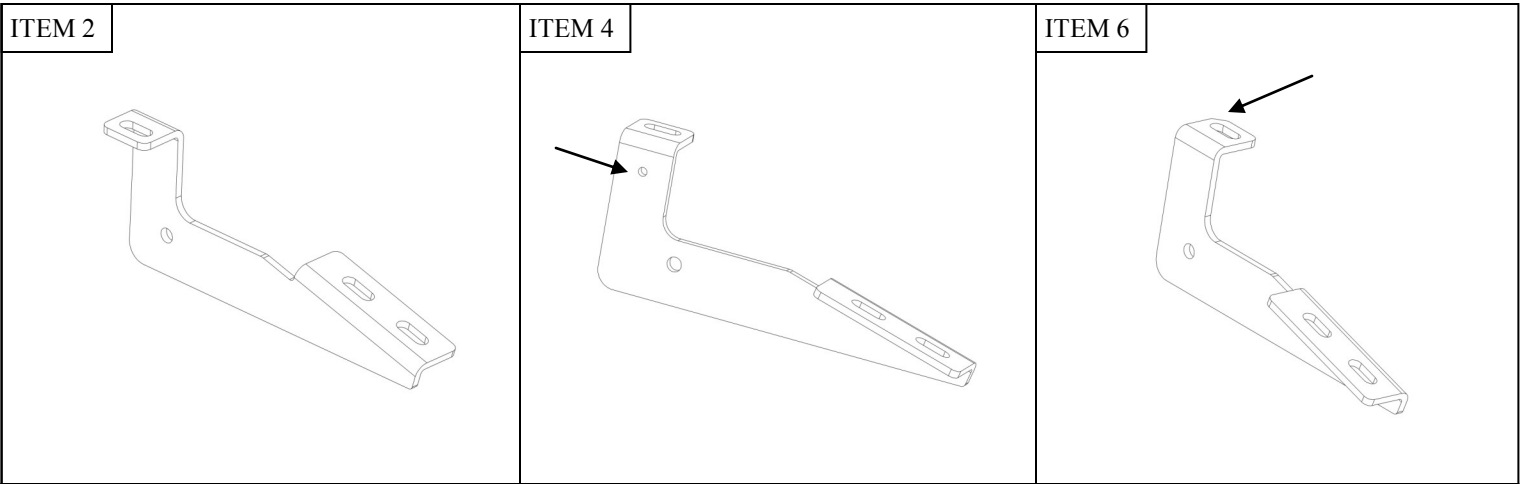
APPLICATION:  
2018-2019 Jeep Wrangler JL Unlimited 4Dr  
PART NUMBER:  
28-51315

CONTENT			
ITEM	QUANTITY	DESCRIPTION	TOOLS NEEDED
1	2	STEP BAR ASSEMBLY (DRIVER, PASSENGER)	13MM SOCKET
2	1	DRIVER FRONT MOUNTING BRACKET	13MM WRENCH
3	1	PASSENGER FRONT MOUNTING BRACKET	ALLEN WRENCH
4	1	DRIVER CENTER MOUNTING BRACKET	RATCHET
5	1	PASSEGER CENTER MOUNTING BRACKET	TORQUE WRENCH
6	1	DRIVER REAR MOUNTING BRACKET	
7	1	PASSENGER REAR MOUNTING BRACKET	
8	1	DRIVER FRONT SUPPORT BRACKET	
9	1	PASSENGER FRONT SUPPORT BRACKET	
10	2	DRIVER CENTER/REAR SUPPORT BRACKET	
11	2	PASSENGER CENTER/REAR SUPPORT BRACKET	
12	6	M8 U-NUT (BLACK)	
13	12	M8 HEX HEAD CAP SCREW (YELLOW ZINC)	
14	24	M8 SPLIT LOCK WASHER (YELLOW ZINC)	
15	18	M8 HEX NUT (YELLOW ZINC)	
16	30	M8 FLAT WASHER (YELLOW ZINC)	
17	12	M8 SQUARE HEAD BOLT (YELLOW ZINC)	
18	24	M8 FLAT WASHER (BLACK ZINC)	
19	12	M8 BUTTON HEAD CAP SCREW (BLACK ZINC)	
20	12	M8 HEX NUT (BLACK ZINC)	
21	12	M8 SPLIT LOCK WASHER (BLACK ZINC)	

**ANTI-SEIZE LUBRICANT MUST BE USED ON ALL STAINLESS STEEL FASTENERS TO PREVENT THREAD DAMAGE AND GALLING**

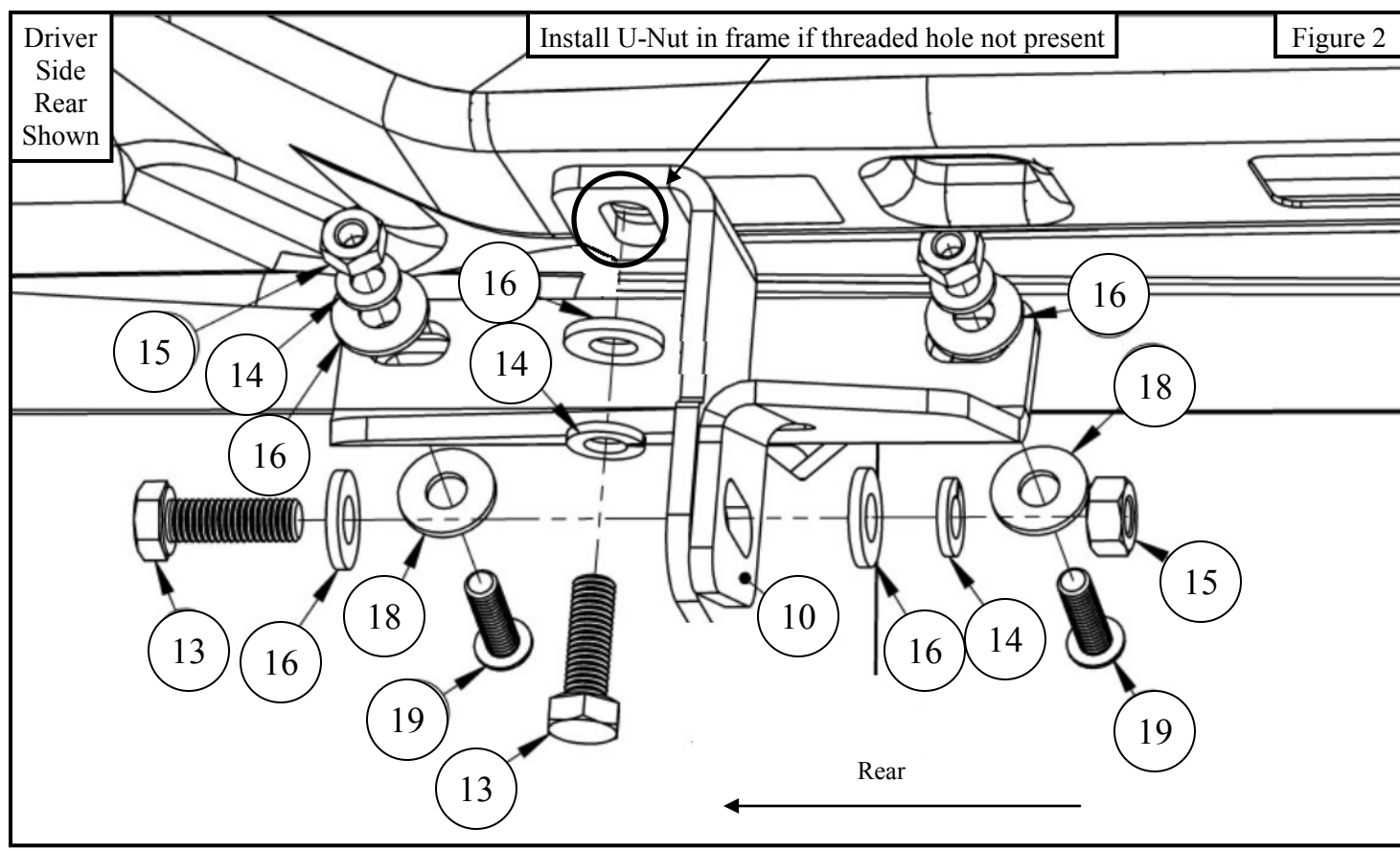
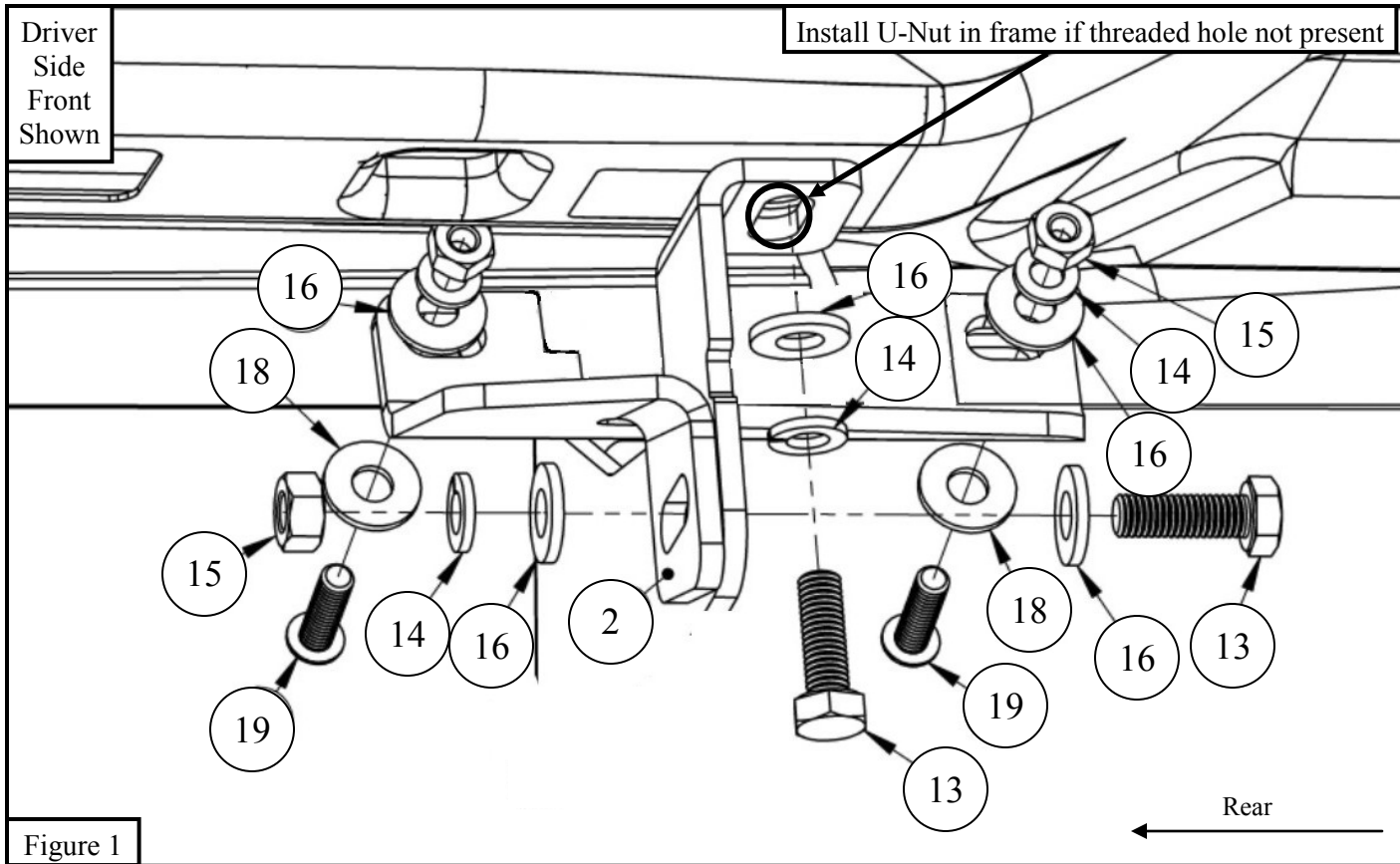
ITEM 1



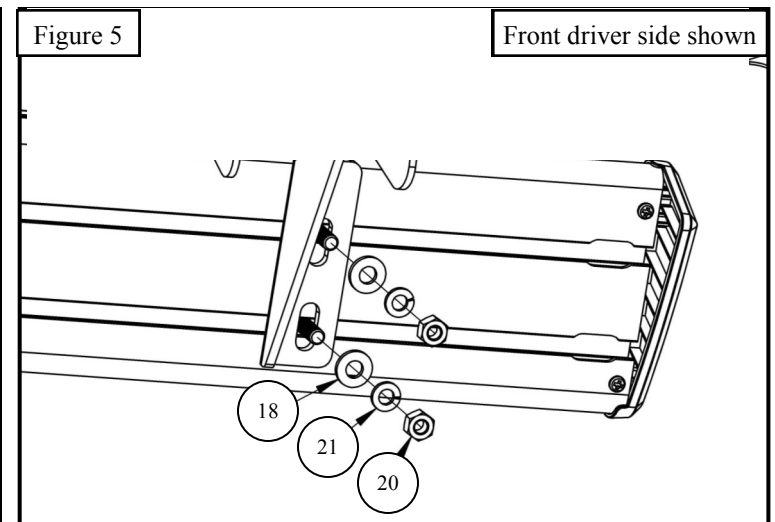
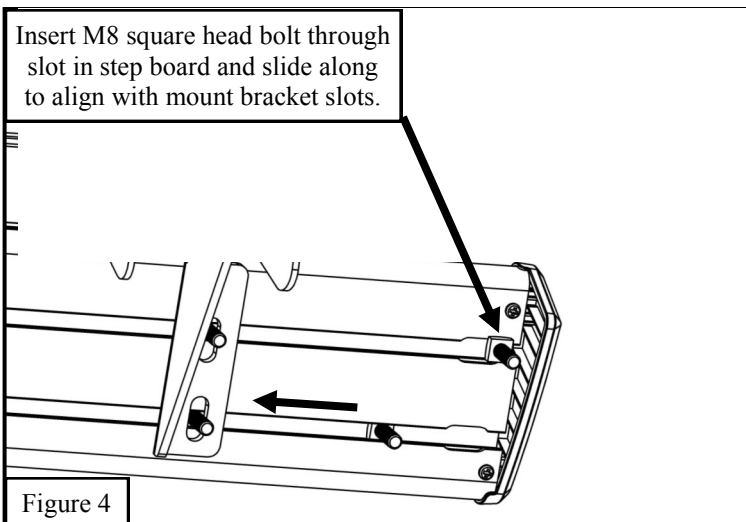
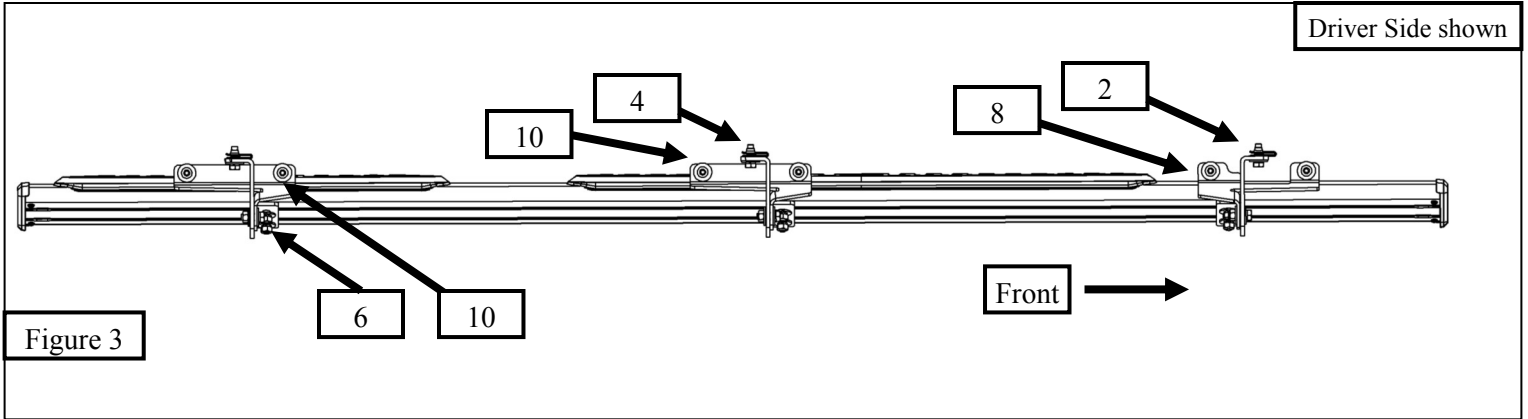


### PROCEDURE

- Remove contents from box, verify if all parts listed are present and free from damage. Carefully read and understand all instructions before attempting installation.  
**Failure to identify damage before installation could lead to a rejection of any claim.**
- Starting at the front mount location, locate (1) Front Mount Bracket and (1) Front Support Bracket. Loosely secure brackets, using: (4) M8 hex head cap screws, (1) M8 extruded u-nut, (4) M8 split lock washers, (3) M8 hex nuts, (5) M8 flat washers, **See Figure 1. Note:** M8 extruded u-nut is only used if a threaded hole is not present (circled on **Figure 1**). **See Figure 1.**
- For the rear mounting location, locate (1) Rear Mount Bracket and (1) Rear Support Bracket. Loosely secure brackets, using: (4) M8 hex head cap screws, (1) M8 extruded u-nut, (4) M8 split lock washers, (3) M8 hex nuts, (5) M8 flat washers. **Note:** M8 extruded u-nut is only used if a threaded hole is not present. **See Figure 2.**



4. Mount the center brackets in the same orientation as the rear brackets.
6. Repeat **Steps 2-4** on the passenger side. See **Figure 3** for visual bracket orientation.
7. Locate (1) driver side step board and (6) M8 square head bolts . Slide the M8 square head bolts through the slots underneath the step board and align with the previously installed mount brackets. Repeat for passenger side. See **Figure 4**.
8. Loosely secure the step board onto each mount bracket using (2) M8 hex nuts, (2) M8 split lock washers, and (2) M8 flat washers. See **Figure 5**.



9. Align step bar and brackets to desired positioning then torque and tighten all M8 hardware to 16 ft-lbs.



INSTALLATION COMPLETED



#### CARE INSTRUCTIONS

- REGULAR WAXING IS RECOMMENDED. DO NOT USE ANY TYPE OF POLISH OR WAX THAT MAY CONTAIN ABRASIVES.
- STAINLESS STEEL PRODUCTS CAN BE CLEANED WITH MILD SOAP AND WATER. STAINLESS STEEL POLISH SHOULD BE USED TO POLISH SMALL SCRATCHES.
- GLOSS BLACK FINISHES SHOULD BE CLEANED WITH MILD SOAP AND WATER.

**WESTIN**