

INSTALLATION INSTRUCTIONS

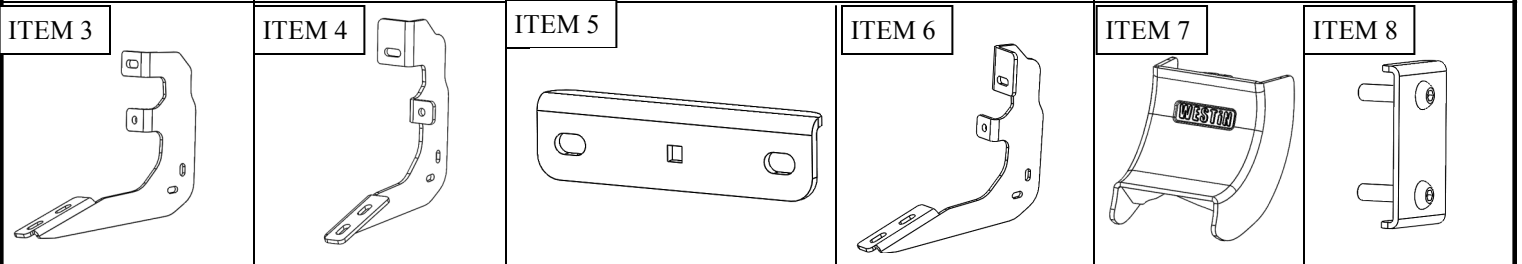
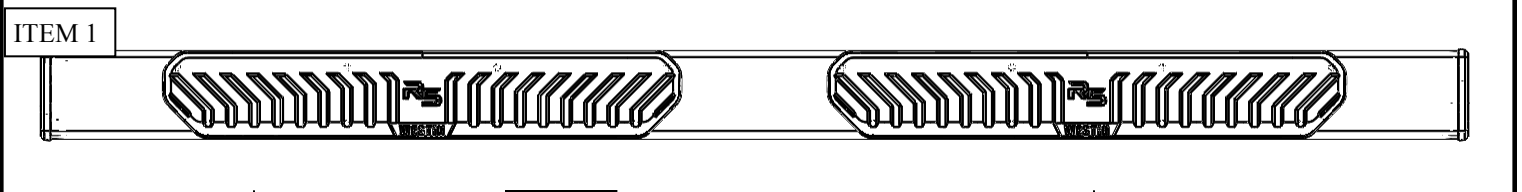
R5 Nerf Step Bars



APPLICATION:
2019 Ram 1500 Crew Cab
PART NUMBER:
28-51220, 28-51225, 28-51230, 28-51235

CONTENT			
ITEM	QUANTITY	DESCRIPTION	TOOLS NEEDED
1,2	2	STEP BAR ASSEMBLY (1 DRIVER, 1 PASSENGER)	10MM SOCKET
3	2	MOUNTING BRACKET CENTER	10MM WRENCH
4	1	MOUNTING BRACKET PASSENGER FRONT	13MM SOCKET
5	6	MOUNTING BRACKET BASE	RATCHET
6	3	MOUNTING BRACKET DRIVER FRONT/ REAR, PASS REAR	TORQUE WRENCH
7	6	PLASTIC COVER BRACKET	
8	6	PLATE ADAPTER (FOR 28-51220 ONLY)	
9	18	PLASTIC RETAINER SQUARE	
10	1	HEX KEY TOOL	
11	12	M8 SQUARE HEAD BOLT (FOR 28-51225 ONLY)	
12	36	M8 HEX NUT(12 BLACK ZINC FOR 28-51220)	
13	36	M8 FLAT WASHER (12 BLACK ZINC FOR 28-51220)	
14	36	M8 SPLIT LOCK WASHER (12 BLACK ZINC FOR 28-51220)	
15	6	M8 ROUND HEAD SQUARE NECK BOLT	
16	12	M6 HEX HEAD CAP SCREW	
17	24	M6 FLAT WASHER	
18	12	M6 NYLON NUT	

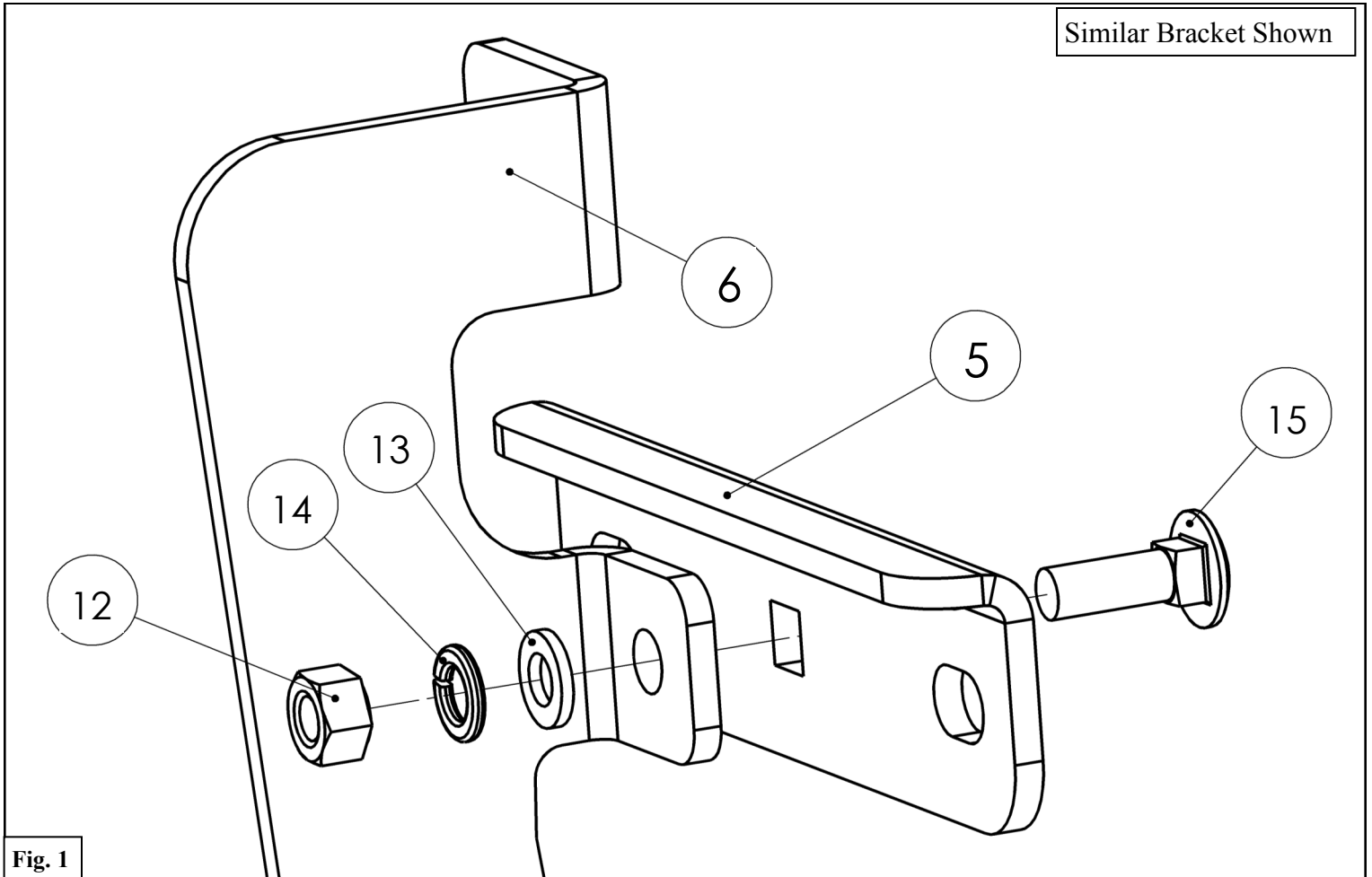
ANTI-SEIZE LUBRICANT MUST BE USED ON ALL STAINLESS STEEL FASTENERS TO PREVENT THREAD DAMAGE AND GALLING



PROCEDURE

1. Remove contents from box, verify if all parts listed are present and free from damage.
Carefully read and understand all instructions before attempting installation.
Failure to identify damage before installation could lead to a rejection of any claim.

2. Preassemble the Mounting Brackets (3-6). Do not tighten hardware at this time. See **Figure 1**.



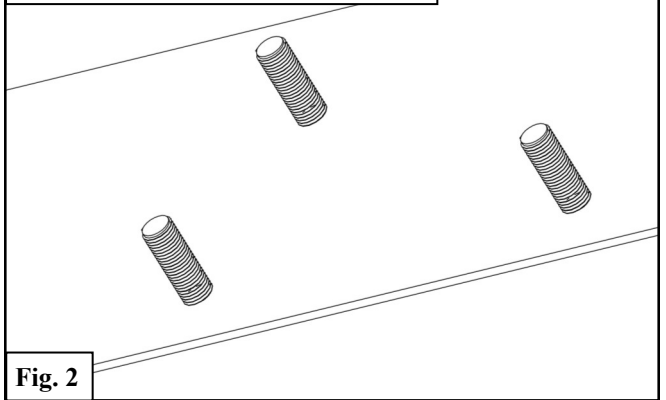
- Starting on the passenger side of the vehicle, locate the 3 mounting locations on the rocker panel.

Note A: The rear mounting location is shown in **Figure 2**. Other mounting locations are similar.

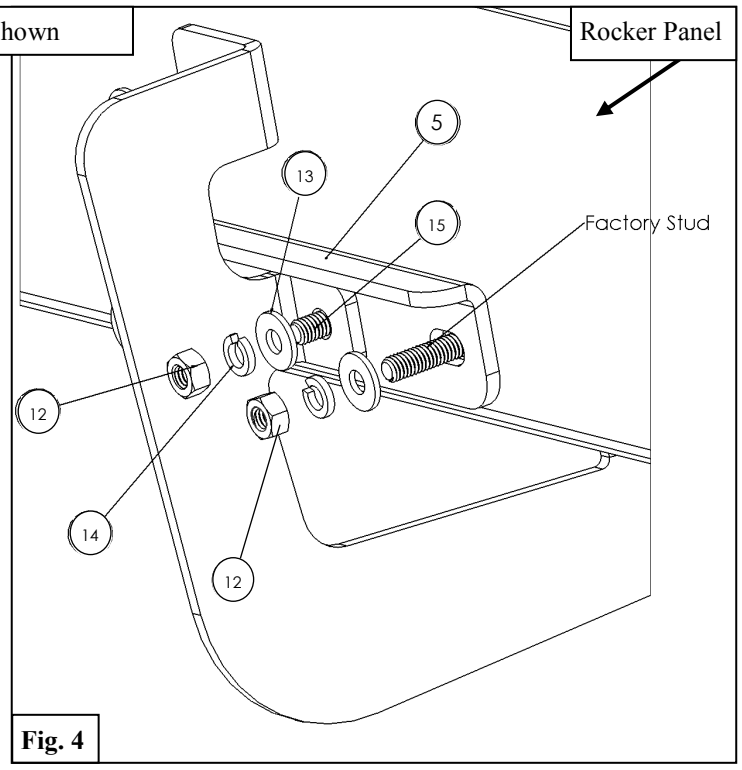
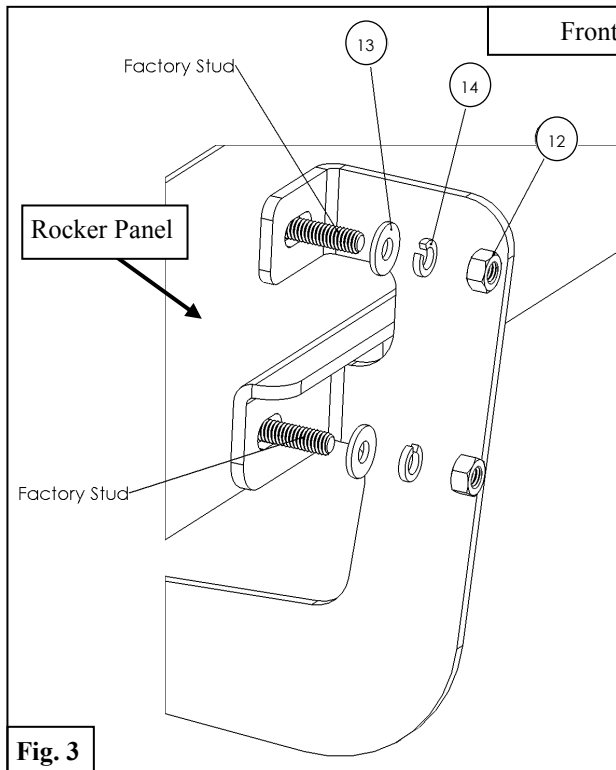
Note B: The lower two studs on the rocker panel have a thick coat of paint on them. When installing the M8 hex nuts, apply extra pressure to start. If necessary, back M8 hex nuts off the studs to clear build up.

See **Figure 2**.

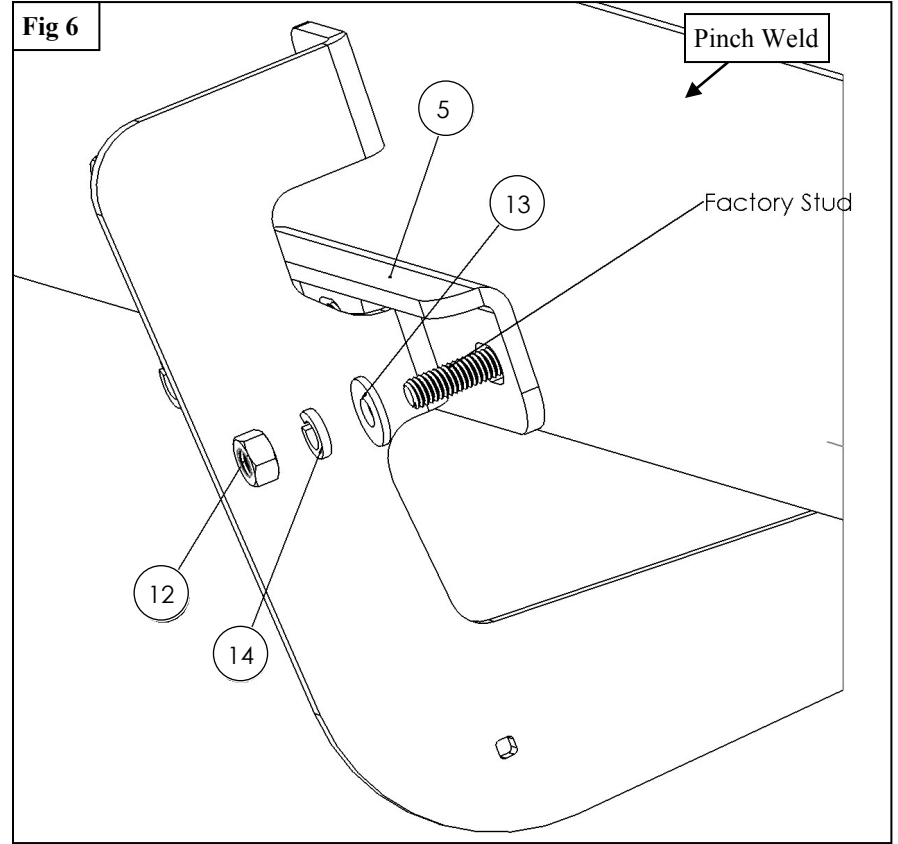
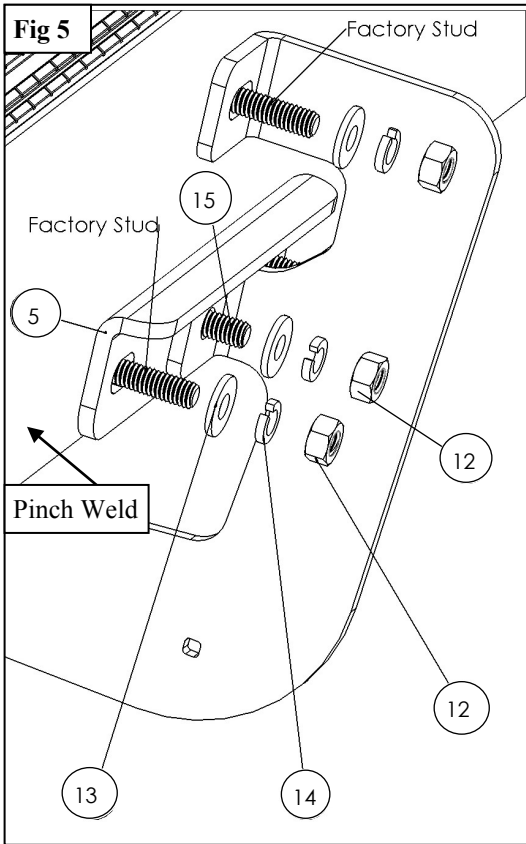
Rear Mounting Location Shown
Other Mounting Locations are Similar



- At the rear mounting location, loosely install Mounting Bracket (6) with preassembled Mounting Bracket (5) using the supplied M8 hardware. See **Figures 3 & 4**.

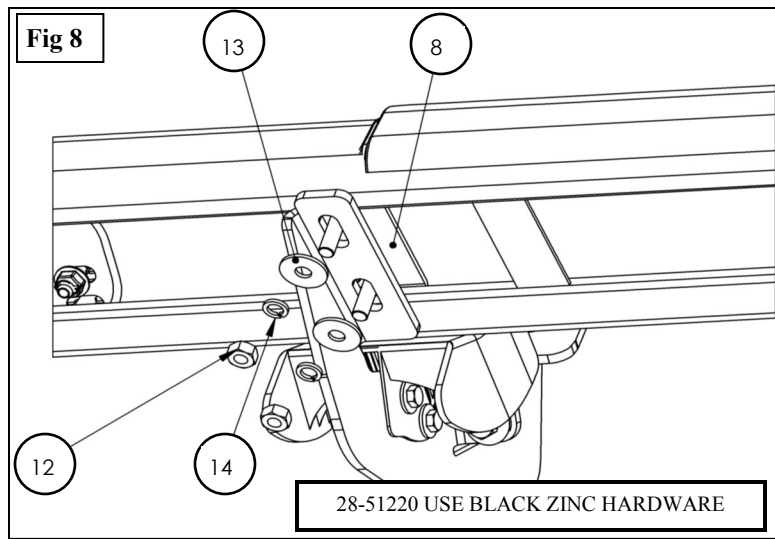
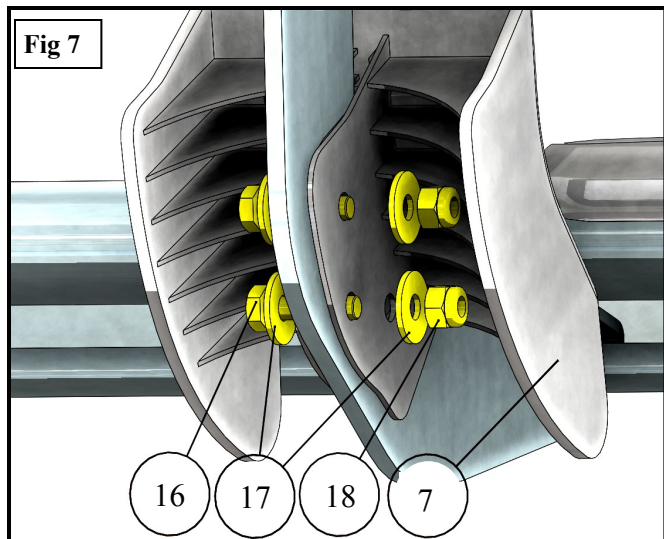


- At the center passenger mounting location, loosely install Mounting Bracket (3) with preassembled Mounting Bracket C (5) using the supplied M8 hardware. See **Figures 5 & 6**.



- At the front passenger mounting location, loosely install Mounting Bracket B (4) with preassembled Mounting Bracket C (5). **Note:** Installation is similar to Mounting Bracket D.
- Repeat **Steps 4-7** on the driver side of the vehicle.

8. Secure the Plastic Bracket Covers (7) to the Mounting Brackets using the supplied M6 Hardware. See **Figure 7**
9. Fasten step bars respectively to either side using the M8 hardware provided with the step bars. See **Figure 8**.
10. Align and adjust the step bars as needed and fully tighten all hardware. Torque all M6 fasteners to 5-7 ft-lbs and all M8 fasteners to 15-18 ft-lbs.



INSTALLATION COMPLETE





WARNING



Failure to follow these instructions could lead to death, personal injury, and / or property damage.

Failure to follow these instructions could lead to death, personal injury, and / or property damage.

FASTENERS:

All Westin supplied fasteners must be utilized and installed in accordance with the installation instructions and apply torque to the specifications as defined. **DOUBLE CHECK ALL FASTENERS BEFORE INITIAL USE, AND PERIODICALLY IN THE FUTURE TO ENSURE PROPER FUNCTION AND SAFETY.**

DRILLING:

Most Westin products do not require drilling for installation. If drilling is defined as required, use caution when drilling a vehicle. **FAILURE TO REVIEW AN AREA TO BE DRILLED MAY RESULT IN PERSONAL INJURY AND/OR INJURY TO OTHERS AS WELL AS VEHICLE DAMAGE.**

EYE PROTECTION:

ALWAYS WEAR SAFETY GLASSES OR GOGGLES DURING THE INSTALLATION PROCESS TO AVOID PERSONAL INJURY.

MAXIMUM TOWING/CARRYING CAPACITY:

The Westin Receiver Hitches will have a visible tow rating label affixed directly on the product. User should never exceed the vehicle manufacturers maximum tow and weight rating regardless of the capacity of the hitch. **FAILURE TO FOLLOW THESE GUIDELINES WILL VOID THE WESTIN WARRANTY AND MAY RESULT IN PERSONAL INJURY AND/OR INJURY TO OTHERS AS WELL AS VEHICLE DAMAGE.**



Learn more about running boards and step bars we have.