

# INSTALLATION INSTRUCTIONS

## R5 HITCH STEP



**APPLICATION:**  
 Universal Fit on all 2" Receivers  
**PART NUMBER:**  
 28-50010, 28-50015

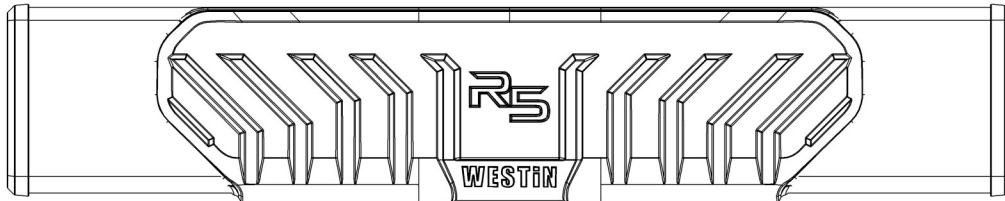
CONTENT			
ITEM	QUANTITY	DESCRIPTION	TOOLS NEEDED
1	1	STEP BAR	13MM SOCKET
2	1	HITCH BRACKET	17MM SOCKET
3	1	ANTI RATTLE BRACKET	19MM SOCKET
4	1	M10 HEX HEAD BOLT (YELLOW ZINC)	RATCHET
5	1	M10 SPLIT LOCK WASHER (YELLOW ZINC)	TORQUE WRENCH
6	1	M10 FLAT WASHER (YELLOW ZINC)	
7	1	M12 HEX HEAD BOLT (BLACK ZINC)	
8	4	M8 SPLIT LOCK WASHER (BLACK ZINC)	
9	4	M8 FLAT WASHER (BLACK ZINC)	
10	4	M8 HEX NUT (BLACK ZINC)	
11	2	ADAPTER PLATE (28-50010 ONLY)	
12	4	M8 SQUARE HEAD BOLT (28-50015 ONLY)	

**ANTI-SEIZE LUBRICANT MUST BE USED ON ALL STAINLESS STEEL FASTENERS TO PREVENT THREAD DAMAGE AND GALLING**

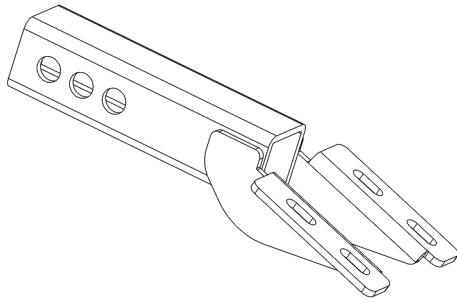
### PROCEDURE

1. Remove contents from box, verify if all parts listed are present and free from damage.  
 Carefully read and understand all instructions before attempting installation.  
**Failure to identify damage before installation could lead to a rejection of any claim.**

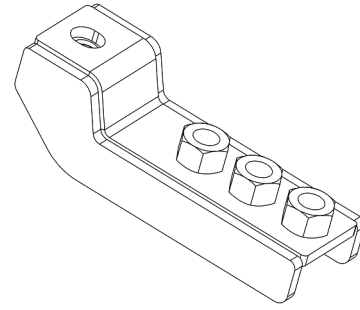
ITEM 1



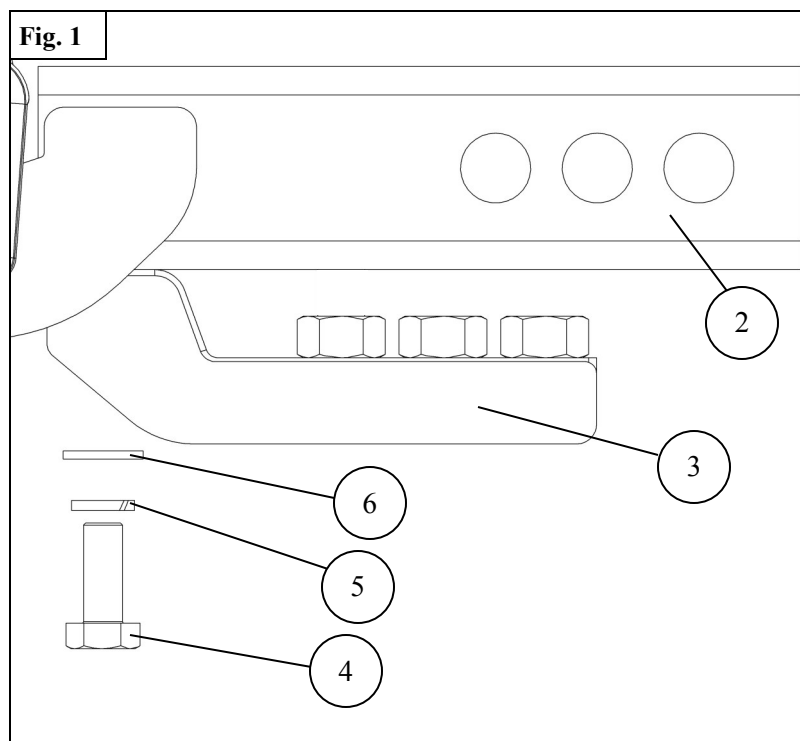
ITEM 2



ITEM 3



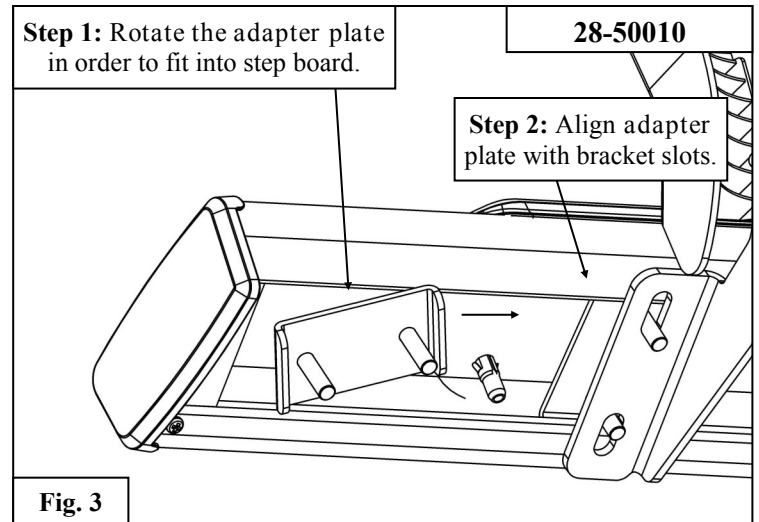
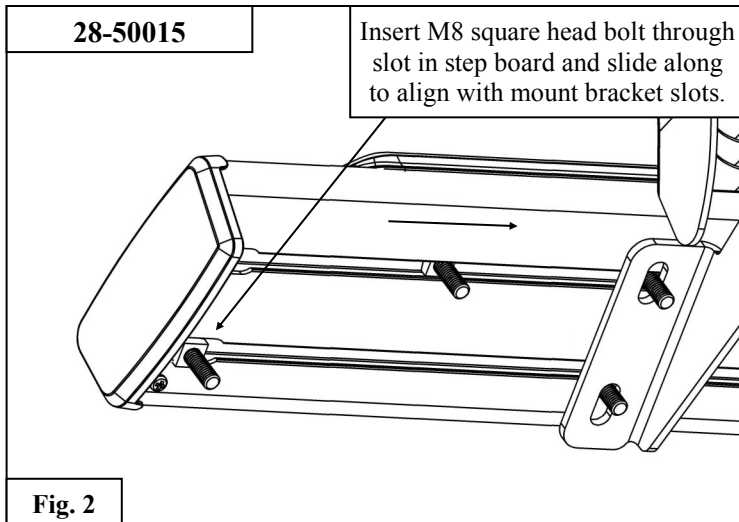
2. Loosely assemble the Anti-Rattle Bracket (3) to the hitch bracket (2) using the supplied M10 hardware. See **Figure 1**.



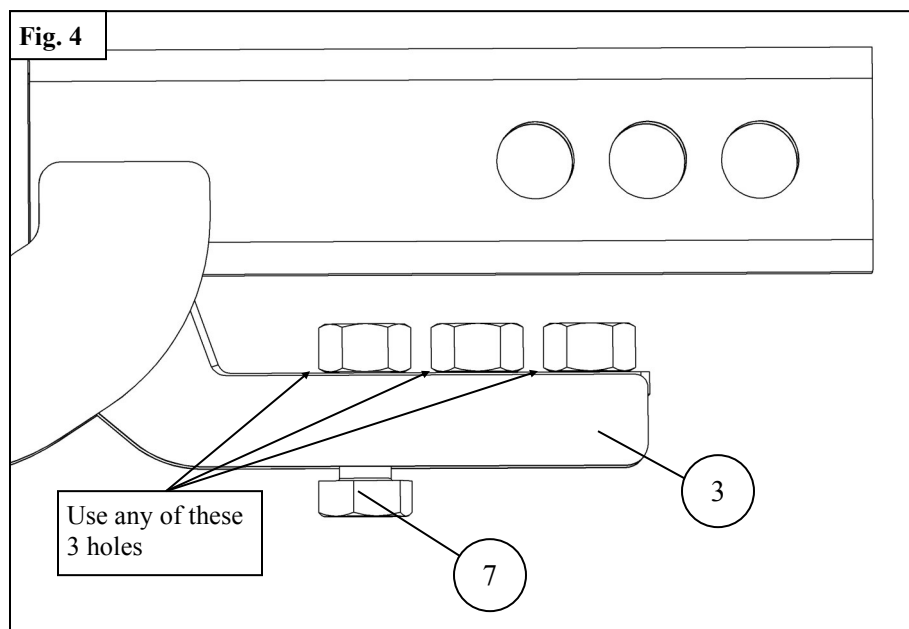
3. Slide the bracket assembly into the receiver hitch of your vehicle. Secure bracket using the receiver pin (not included).  
*Note: Secure the bracket assembly as far in the hitch as possible. Three sets of holes have been provided for adjustment.*

4. **For Part Number 28-50015:** Locate the step board (1) and M8 square head bolts (12). Slide the M8 square head bolts through the slots underneath the step board and align with the previously installed mount brackets. **See Figure 2.**

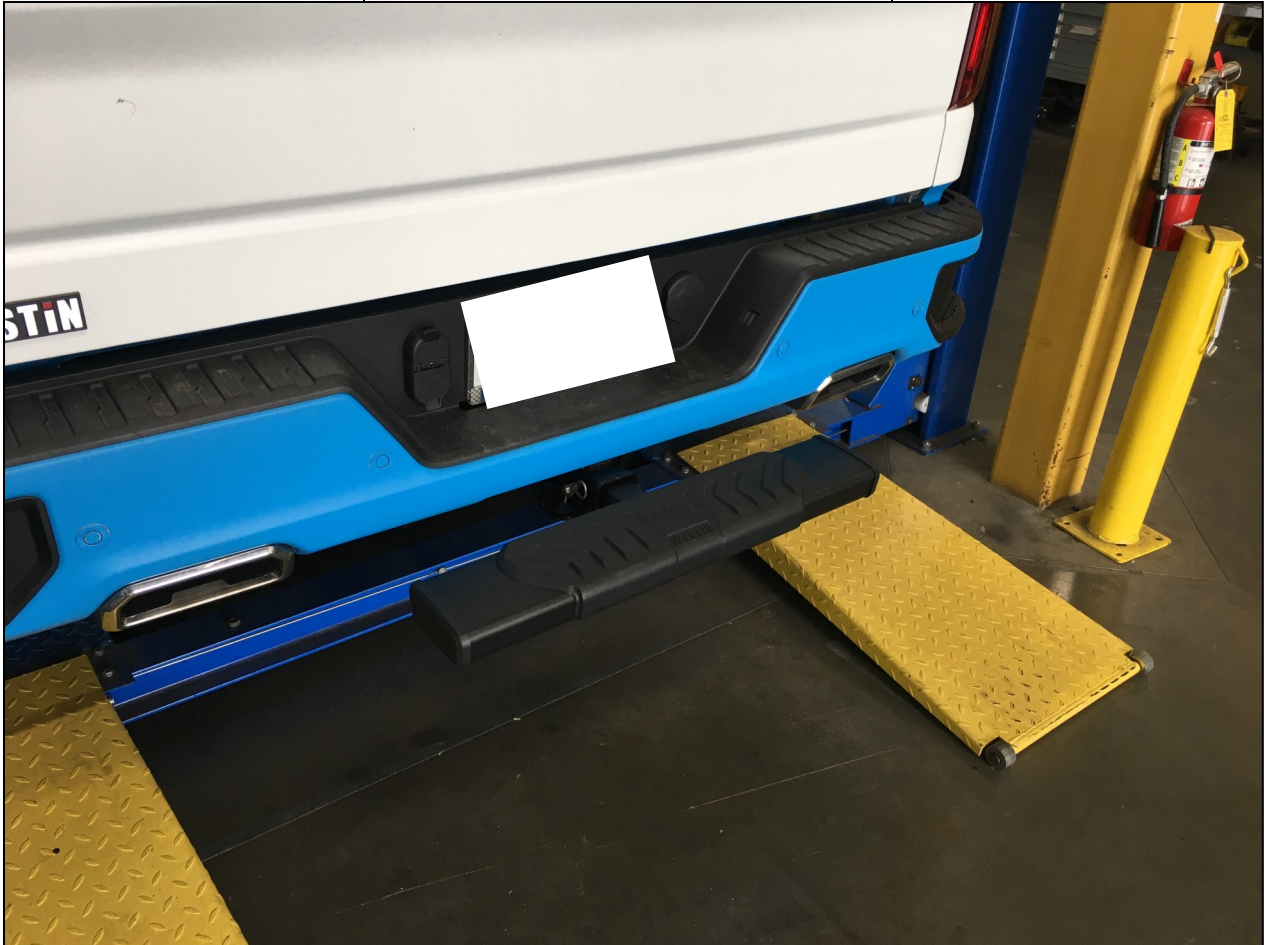
**For Part Number 28-50010:** Locate the step board (1) and two adapter plates (11). Insert the adapter plates onto the step board and align with the previously installed mount brackets. **See Figure 3**



5. Use the supplied black zinc M8 hex nuts, flat washers, and split lock washers to secure the step bar (1) to the hitch bracket (2).
6. Adjust the step bar and hitch bracket as necessary and torque down all installed hardware to the following specifications: M8 to 18 ft- lbs, M10 to 40 ft-lbs.
7. Install the M12 bolt into one of the three holes on the Anti-Rattle bracket (3). Use the best hole for your application. Tighten the M12 bolt until the step bar (1) and hitch bracket (2) are adequately secure. **See Figure 4.**



INSTALLATION COMPLETE



#### CARE INSTRUCTIONS

- REGULAR WAXING IS RECOMMENDED. DO NOT USE ANY TYPE OF POLISH OR WAX THAT MAY CONTAIN ABRASIVES.
- STAINLESS STEEL PRODUCTS CAN BE CLEANED WITH MILD SOAP AND WATER. STAINLESS STEEL POLISH SHOULD BE USED TO POLISH SMALL SCRATCHES.
- GLOSS BLACK FINISHES SHOULD BE CLEANED WITH MILD SOAP AND WATER.

**WESTIN**



## WARNING



Failure to follow these instructions could lead to death, personal injury, and / or property damage.

Failure to follow these instructions could lead to death, personal injury, and / or property damage.

### FASTENERS:

All Westin supplied fasteners must be utilized and installed in accordance with the installation instructions and apply torque to the specifications as defined. **DOUBLE CHECK ALL FASTENERS BEFORE INITIAL USE, AND PERIODICALLY IN THE FUTURE TO ENSURE PROPER FUNCTION AND SAFETY.**

### DRILLING:

Most Westin products do not require drilling for installation. If drilling is defined as required, use caution when drilling a vehicle. **FAILURE TO REVIEW AN AREA TO BE DRILLED MAY RESULT IN PERSONAL INJURY AND/OR INJURY TO OTHERS AS WELL AS VEHICLE DAMAGE.**

### EYE PROTECTION:

**ALWAYS WEAR SAFETY GLASSES OR GOGGLES DURING THE INSTALLATION PROCESS TO AVOID PERSONAL INJURY.**

### MAXIMUM TOWING/CARRYING CAPACITY: (if applicable)

The Westin Receiver Hitches will have a visible tow rating label affixed directly on the product. User should never exceed the vehicle manufacturers maximum tow and weight rating regardless of the capacity of the hitch. **FAILURE TO FOLLOW THESE GUIDELINES WILL VOID THE WESTIN WARRANTY AND MAY RESULT IN PERSONAL INJURY AND/OR INJURY TO OTHERS AS WELL AS VEHICLE DAMAGE.**

### FOR CALIFORNIA RESIDENTS ONLY-PROP 65 WARNING:

Some products may contain chemicals such as DEHP, which can cause cancer, birth defects or other reproductive harm.

