

INSTALLATION INSTRUCTIONS



OUTLAW RUNNING BOARDS

APPLICATION:

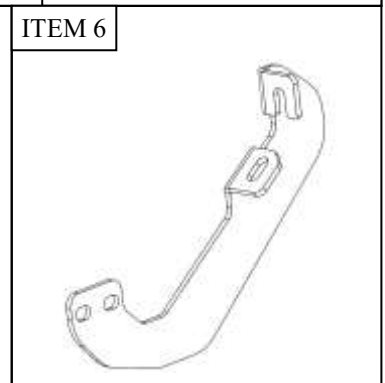
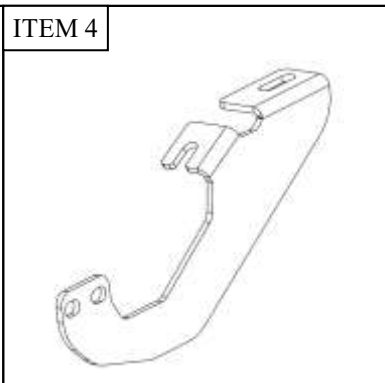
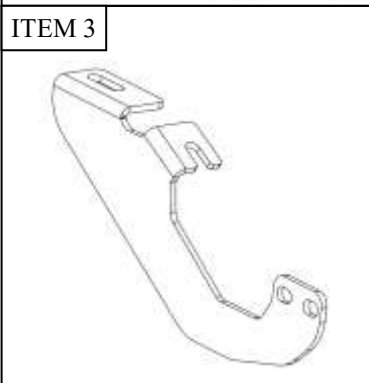
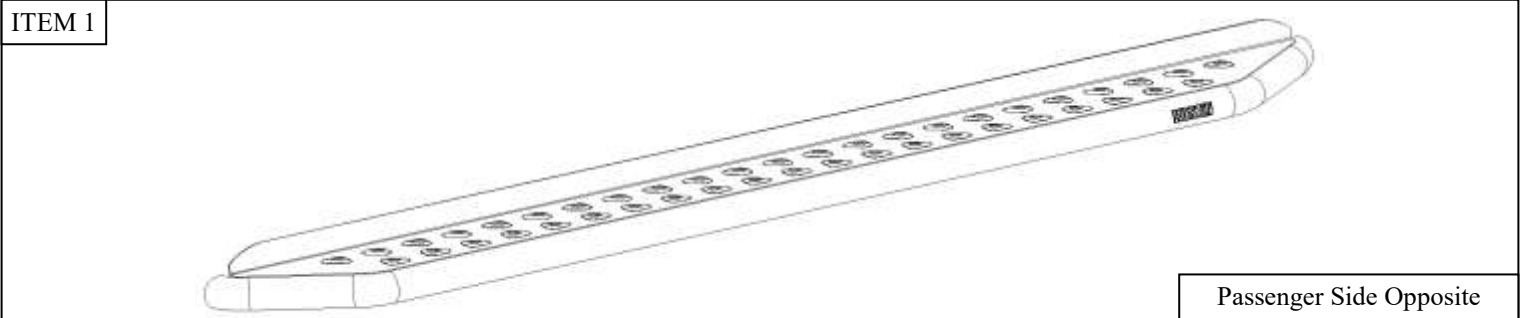
Ford Bronco 2021-2023 4dr (Excl. Bronco Sport)

PART NUMBER:

28-32425

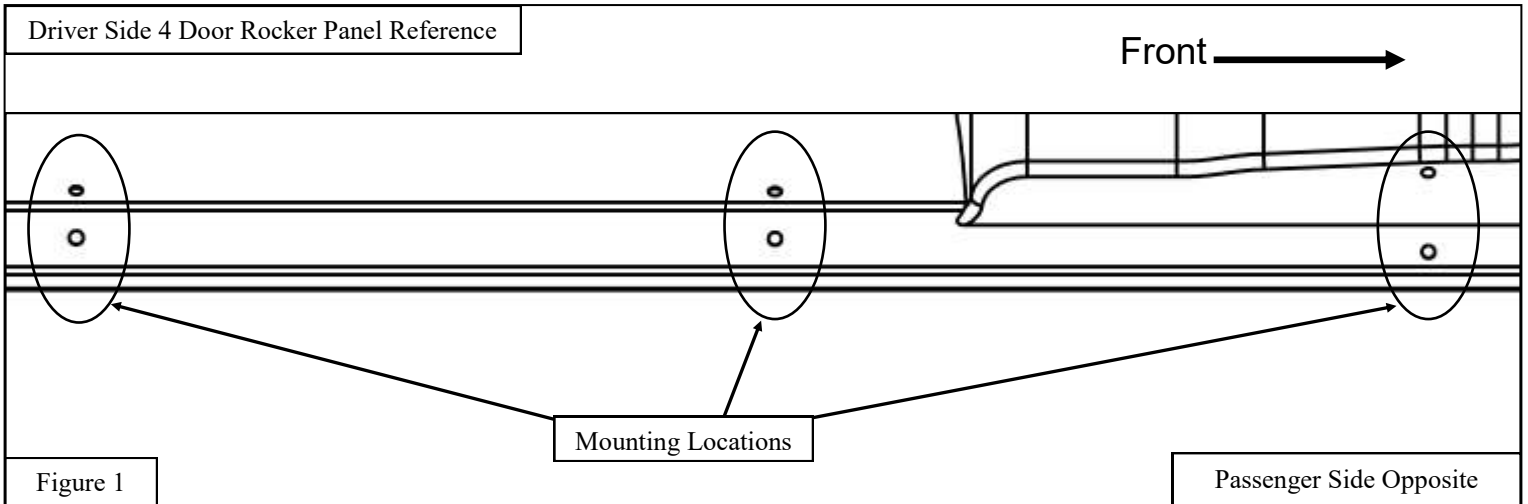
CONTENT			
ITEM	QUANTITY	DESCRIPTION	TOOLS NEEDED
1	1	DRIVER OUTLAW RUNNING BOARD	15MM SOCKET
2	1	PASSENGER OUTLAW RUNNING BOARD	16MM SOCKET
3	1	FRONT DRIVER MOUNTING BRACKET	16MM WRENCH
4	1	FRONT PASSENGER MOUNTING BRACKET	RATCHET
5	2	CENTER/REAR DRIVER MOUNTING BRACKET	TORQUE WRENCH
6	2	CENTER/REAR PASSENGER MOUNTING BRACKET	
7	12	M10 HEX HEAD BOLT	
8	12	M10 FLAT WASHER	
9	12	M10 SPLIT LOCK WASHER	
10	12	M10 SERRATED FLANGE NUT	
11	12	M10 SERRATED FLANGE HEX HEAD BOLT	

ANTI-SEIZE LUBRICANT MUST BE USED ON ALL STAINLESS STEEL FASTENERS TO PREVENT THREAD DAMAGE AND GALLING

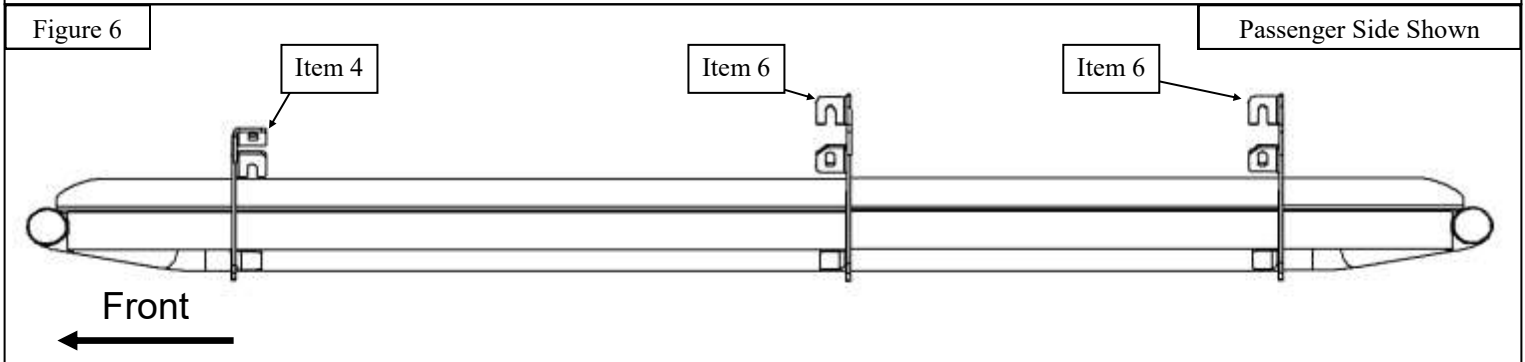
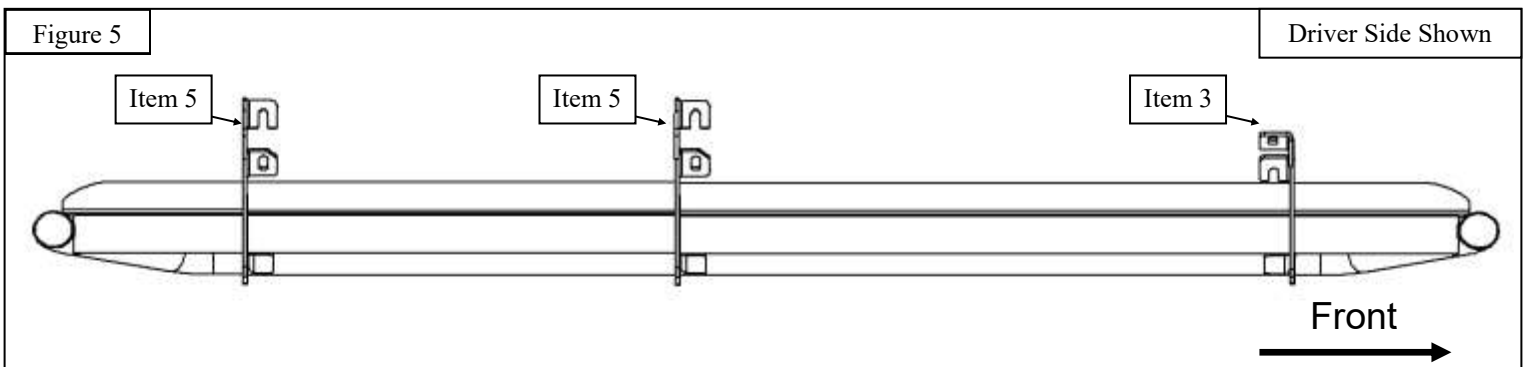
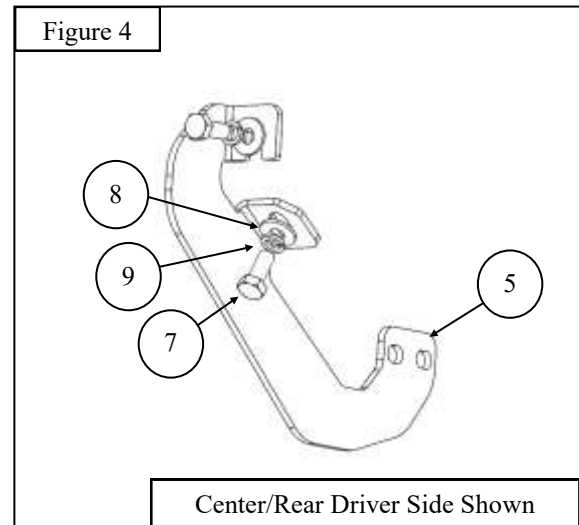
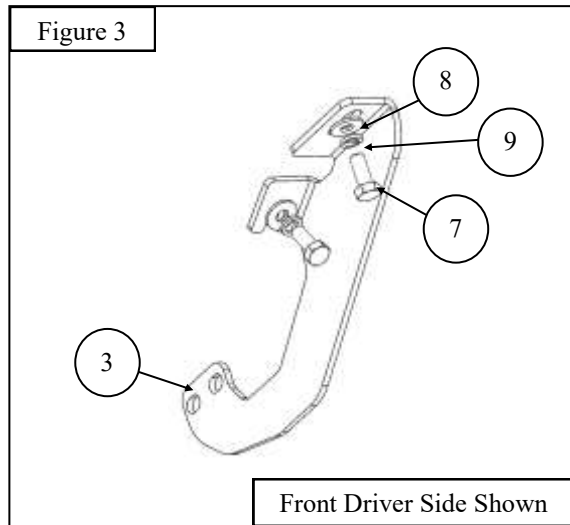


PROCEDURE

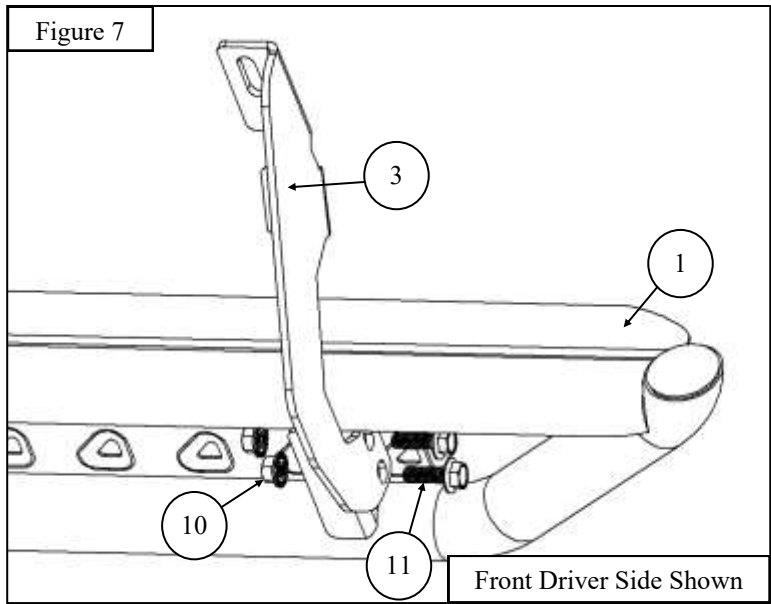
1. Remove contents from box, verify if all parts listed are present and free from damage. Carefully read and understand all instructions before attempting installation.
Failure to identify damage before installation could lead to a rejection of any claim.
2. Beginning on the driver side of the vehicle, remove (2) M10 OEM bolts (or plastic plugs) from each mounting location on the rocker panel if they are present. See **Figure 1** for reference.
3. If any OEM mounting plates are present, remove them by removing the M10 bolt using a 15MM socket. See **Figure 2** for reference. **Note:** *Factory rock sliders must be removed in order to install this product.*



4. Loosely install (1) Front Mounting Bracket (Item 3) to the rocker panel using the supplied M10 hardware as shown in **Figure 3**. Please refer to **Figures 5 & 6** for bracket mounting orientation and locations.
5. Loosely install the Center/Rear Mounting Bracket(s) (Item 5) to the rocker panel using the supplied M10 hardware as shown in **Figure 4**. Please refer to **Figures 5 & 6** for bracket mounting orientation and locations.



6. Use the supplied serrated M10 Hardware to attach the Outlaw Running Boards (Items 1 & 2) to the previously installed mounting brackets (Items 3 & 4). See **Figure 7** for reference.
7. Repeat **Steps 2 through 6** on the passenger side of the vehicle.
8. Align and adjust the Outlaw Running Boards and mounting brackets as needed. Tighten and torque all hardware as specified: M10 to 35-38 ft-lbs.



INSTALLATION COMPLETE



CARE INSTRUCTIONS

- REGULAR WAXING IS RECOMMENDED. DO NOT USE ANY TYPE OF POLISH OR WAX THAT MAY CONTAIN ABRASIVES.
- STAINLESS STEEL PRODUCTS CAN BE CLEANED WITH MILD SOAP AND WATER. STAINLESS STEEL POLISH SHOULD BE USED TO POLISH SMALL SCRATCHES.
- GLOSS BLACK FINISHES SHOULD BE CLEANED WITH MILD SOAP AND WATER.

WESTIN Westin Automotive Products, Inc.
320 W. Covina Blvd
San Dimas, Ca. 91773

Thank you for choosing Westin products
for additional installation assistance please call
Customer Service (800) 793-7846
www.westinautomotive.com



WARNING



Failure to follow these instructions could lead to death, personal injury, and / or property damage.

Failure to follow these instructions could lead to death, personal injury, and / or property damage.

FASTENERS:

All Westin supplied fasteners must be utilized and installed in accordance with the installation instructions and apply torque to the specifications as defined. **DOUBLE CHECK ALL FASTENERS BEFORE INITIAL USE, AND PERIODICALLY IN THE FUTURE TO ENSURE PROPER FUNCTION AND SAFETY.**

DRILLING:

Most Westin products do not require drilling for installation. If drilling is defined as required, use caution when drilling a vehicle. **FAILURE TO REVIEW AN AREA TO BE DRILLED MAY RESULT IN PERSONAL INJURY AND/OR INJURY TO OTHERS AS WELL AS VEHICLE DAMAGE.**

EYE PROTECTION:

ALWAYS WEAR SAFETY GLASSES OR GOGGLES DURING THE INSTALLATION PROCESS TO AVOID PERSONAL INJURY.

MAXIMUM TOWING/CARRYING CAPACITY: (if applicable)

The Westin Receiver Hitches will have a visible tow rating label affixed directly on the product. User should never exceed the vehicle manufacturers maximum tow and weight rating regardless of the capacity of the hitch. **FAILURE TO FOLLOW THESE GUIDELINES WILL VOID THE WESTIN WARRANTY AND MAY RESULT IN PERSONAL INJURY AND/OR INJURY TO OTHERS AS WELL AS VEHICLE DAMAGE.**

FOR CALIFORNIA RESIDENTS ONLY-PROP 65 WARNING:

Some products may contain chemicals such as DEHP, which can cause cancer, birth defects or other reproductive harm. For more info go to www.p65warnings.ca.gov



Westin Automotive Products, Inc.
320 W. Covina Blvd
San Dimas, Ca. 91773