

INSTALLATION INSTRUCTIONS

OUTLAW RUNNING BOARDS

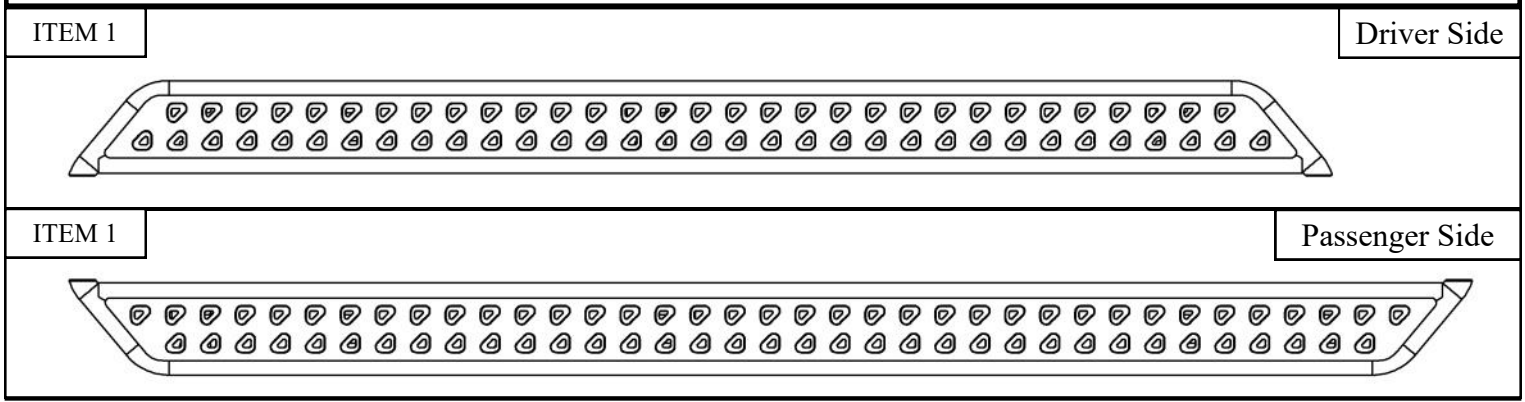


APPLICATION:
Mercedes-Benz Sprinter 2007-2022, 144" Wheelbase

PART NUMBER:
28-31035

CONTENT			
ITEM	QUANTITY	DESCRIPTION	TOOLS NEEDED
1	2	OUTLAW RUNNING BOARDS (1 DRIVER, 1 PASSENGER)	13MM SOCKET
2	1	DRIVER SIDE BRACKET "A"	13MM WRENCH
3	1	PASSENGER SIDE BRACKET "A"	15MM SOCKET
4	1	DRIVER SIDE BRACKET "B"	15MM WRENCH
5	1	PASSENGER SIDE BRACKET "B"	RATCHET
6	2	DRIVER SIDE BRACKET "C"	TORQUE WRENCH
7	1	PASSENGER SIDE BRACKET "C"	
8	1	PASSENGER SIDE BRACKET "D"	
9	1	PASSENGER SIDE BRACKET "E"	
10	9	M8 DOUBLE BOLT PLATE	
11	8	M8 BOLT PLATE (SHORT)	
12	1	M8 BOLT PLATE (LONG)	
13	27	M8 HEX NUT (YELLOW ZINC)	
14	27	M8 SPLIT LOCK WASHER (YELLOW ZINC)	
15	27	M8 FLAT WASHER (YELLOW ZINC)	
16	18	M6 SERRATED FLANGE NUT (YELLOW ZINC)	
17	18	M6 HEX SOCKET BUTTON HEAD CAP SCREW (BLACK ZINC)	
18	18	M6 SPLIT LOCK WASHER (BLACK ZINC)	
19	18	M6 FLAT WASHER (BLACK ZINC)	
20	9	M8 SQUARE RETAINERS (PLASTIC)	

ANTI-SEIZE LUBRICANT MUST BE USED ON ALL STAINLESS STEEL FASTENERS TO PREVENT THREAD DAMAGE AND GALLING

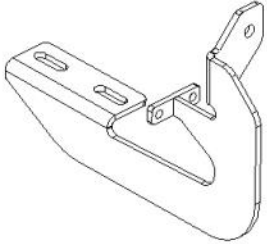
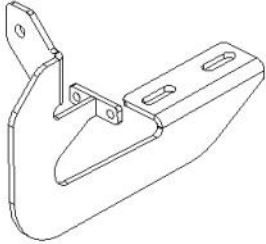
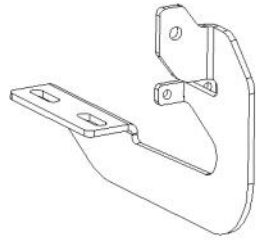
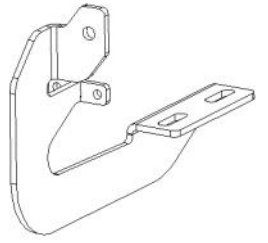
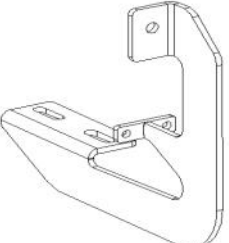
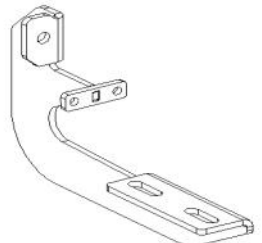
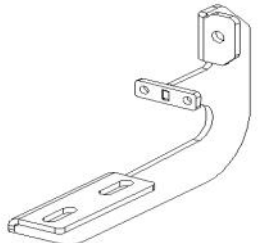
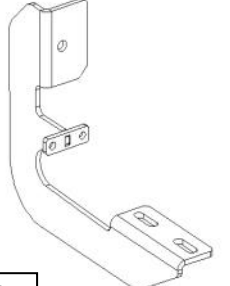
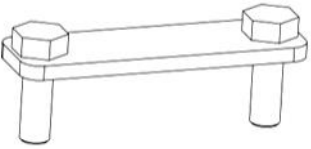




WESTIN Westin Automotive Products, Inc.
320 W. Covina Blvd
San Dimas, Ca. 91773

Thank you for choosing Westin products
for additional installation assistance please call
Customer Service (800) 793-7846

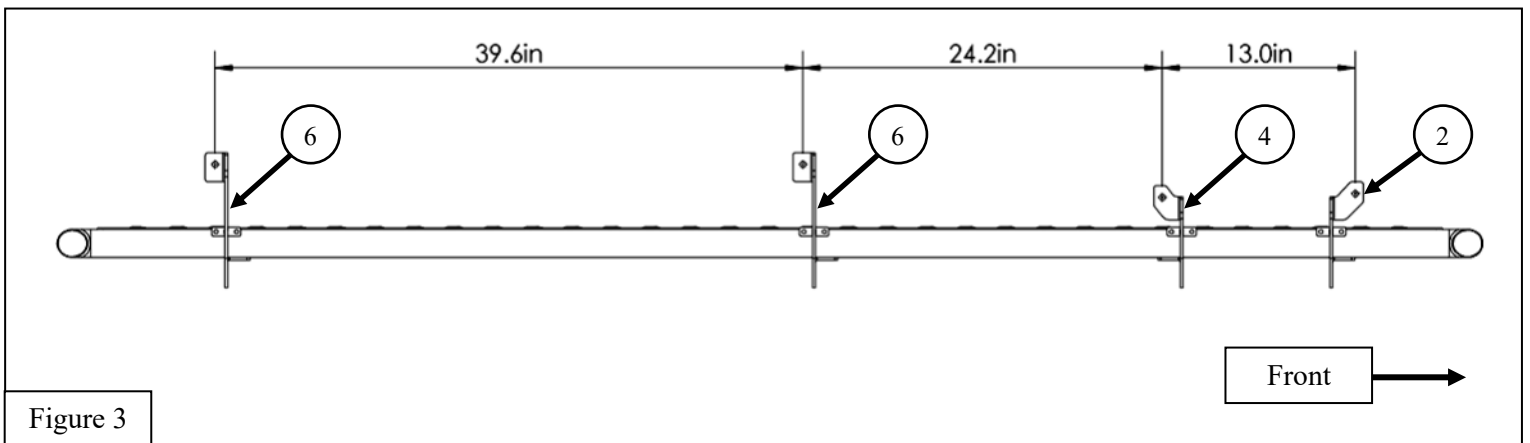
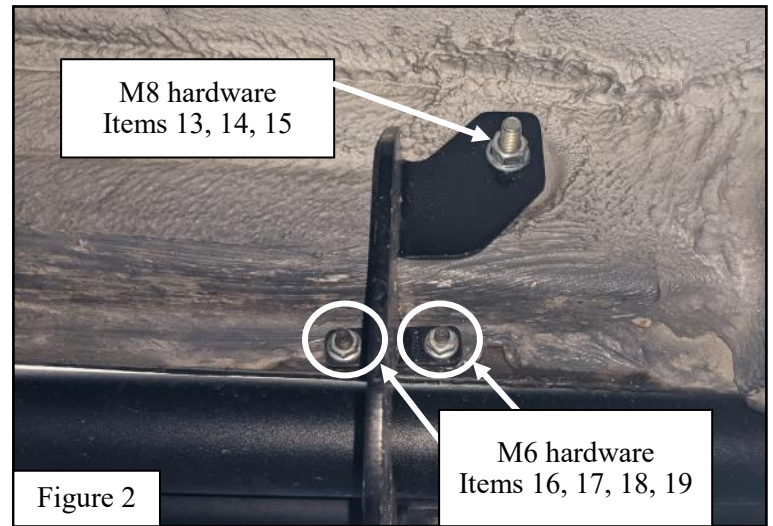
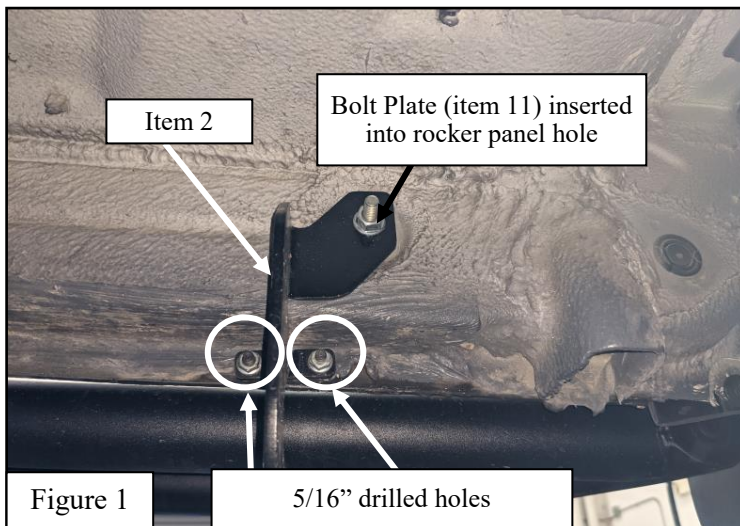
www.westinautomotive.com

DATE: 2/23/2023

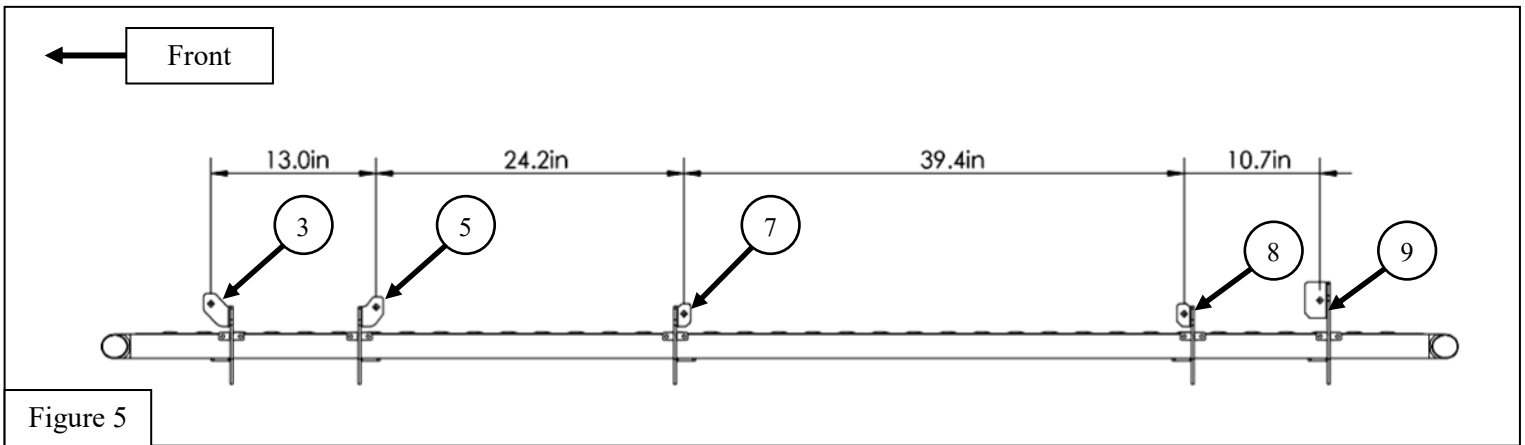
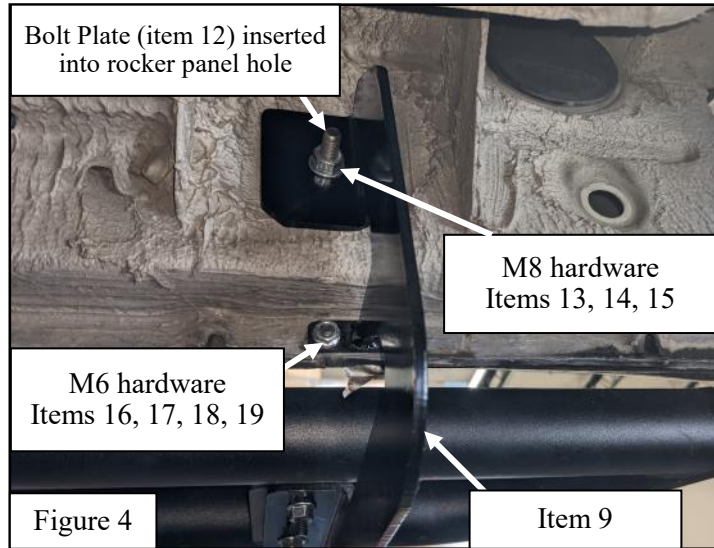
			
ITEM 2	ITEM 3	ITEM 4	ITEM 5
			
ITEM 6	ITEM 7	ITEM 8	ITEM 9
			
ITEM 10	ITEM 11		
			
	ITEM 12		

PROCEDURE

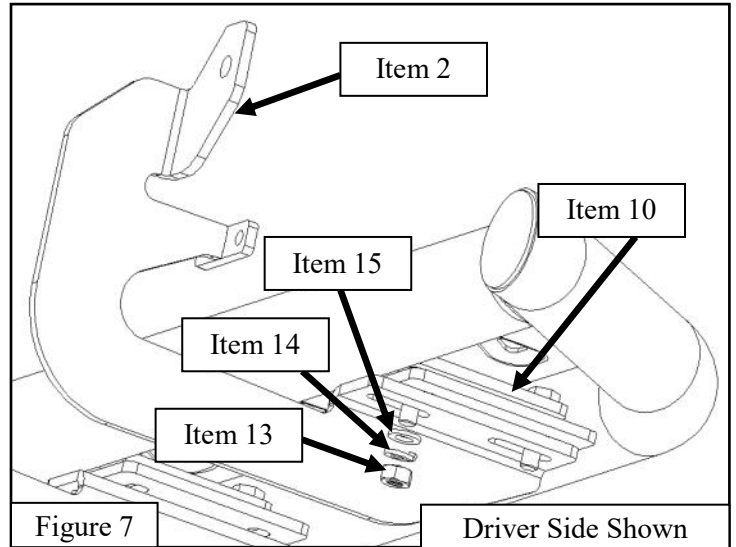
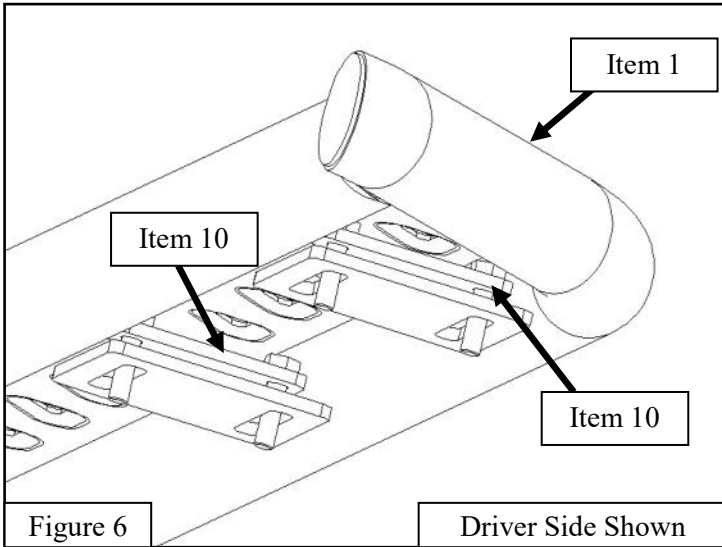
1. Remove contents from box, verify if all parts listed are present and free from damage. Carefully read and understand all instructions before attempting installation.
Failure to identify damage before installation could lead to a rejection of any claim.
2. Beginning on the driver's side of the vehicle, remove the black rubber plug in the location shown in **Figure 1**.
3. Insert a Short M8 Bolt Plate (item 11) into front driver side mounting hole and use a M8 plastic retainer (item 20) to keep it in place.
4. Loosely install the Driver Side Bracket "A" using the supplied M8 hardware (items 13-15) and adjust it to the desired location.
5. Mark the two bottom hole locations and drill two 5/16" holes. See **Figure 1** for reference.
6. Loosely install the M6 hardware (items 16-19) using the holes drilled in the previous step. See **Figure 2** for reference.
7. Repeat steps 2-6 for remaining three driver side brackets: (1) Driver Side Bracket "B" (item 4), (2) Driver Side Bracket "C" (item 6). See **Figure 3** for reference.



8. Install the passenger side brackets using the same method used to install the driver side brackets. See **Figure 5** for reference. **Note:** Use the long M8 bolt plate (item 12) to install the Passenger Side Bracket "E". See **Figure 4**.



9. Locate Driver Side Outlaw Running Board (item 1) and insert (4) M8 double bolt plates (item 10) into each plate on the bottom of the running boards with the bolts facing downwards from the running board. See **Figure 6** for reference.
10. Align the Driver Side Outlaw Running Board (item 1) onto the driver side brackets and loosely install it using provided M8 hardware (items 13-15). See **Figure 7** for reference.
11. Repeat Steps 9 and 10 for the Passenger Side Outlaw Running Board (item 1) using (5) M8 double bolt plates.
12. Align and adjust the Outlaw Running Boards and brackets as needed.
13. Tighten and torque all hardware as specified: M6 to 5-7 ft-lbs. and M8 to 15-18 ft-lbs.





WARNING



Failure to follow these instructions could lead to death, personal injury, and / or property damage.

Failure to follow these instructions could lead to death, personal injury, and / or property damage.

FASTENERS:

All Westin supplied fasteners must be utilized and installed in accordance with the installation instructions and apply torque to the specifications as defined. **DOUBLE CHECK ALL FASTENERS BEFORE INITIAL USE, AND PERIODICALLY IN THE FUTURE TO ENSURE PROPER FUNCTION AND SAFETY.**

DRILLING:

Most Westin products do not require drilling for installation. If drilling is defined as required, use caution when drilling a vehicle. **FAILURE TO REVIEW AN AREA TO BE DRILLED MAY RESULT IN PERSONAL INJURY AND/OR INJURY TO OTHERS AS WELL AS VEHICLE DAMAGE.**

EYE PROTECTION:

ALWAYS WEAR SAFETY GLASSES OR GOGGLES DURING THE INSTALLATION PROCESS TO AVOID PERSONAL INJURY.

MAXIMUM TOWING/CARRYING CAPACITY: (if applicable)

The Westin Receiver Hitches will have a visible tow rating label affixed directly on the product. User should never exceed the vehicle manufacturers maximum tow and weight rating regardless of the capacity of the hitch. **FAILURE TO FOLLOW THESE GUIDELINES WILL VOID THE WESTIN WARRANTY AND MAY RESULT IN PERSONAL INJURY AND/OR INJURY TO OTHERS AS WELL AS VEHICLE DAMAGE.**

FOR CALIFORNIA RESIDENTS ONLY-PROP 65 WARNING:

Some products may contain chemicals such as DEHP, which can cause cancer, birth defects or other reproductive harm. For more info go to www.p65warnings.ca.gov



Westin Automotive Products, Inc.
320 W. Covina Blvd
San Dimas, Ca. 91773