

INSTALLATION INSTRUCTIONS

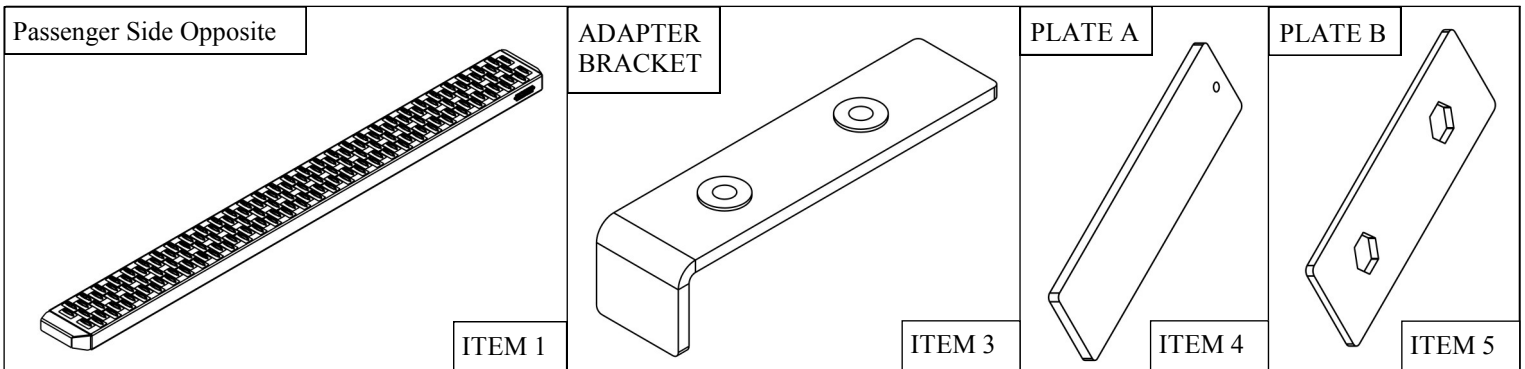
Grate Steps Running Board



PART NUMBER:
27-74715 (68" Running Board)

| CONTENT | | | |
|--|----------|---|---------------|
| ITEM | QUANTITY | DESCRIPTION | TOOLS NEEDED |
| 1,2 | 2 | RUNNING BOARD ASSEMBLY, DRIVER (1) AND PASSENGER (2) | 13MM SOCKET |
| 3 | 6* | ADAPTER BRACKET | 4MM HEX KEY |
| 4 | 6* | PLATE A | RATCHET |
| 5 | 6 | PLATE B | TORQUE WRENCH |
| 6 | 16 | M8 SET SCREW (BLACK ZINC) (12 PREINSTALLED IN RUNNING BOARD ASSEMBLIES) | |
| 7 | 16 | M8 SPLIT LOCK WASHER (YELLOW ZINC) | |
| 8 | 16 | M8 HEX NUT (YELLOW ZINC) | |
| *INCLUDED IN RUNNING BOARD ASSEMBLIES | | | |
| ANTI-SEIZE LUBRICANT MUST BE USED ON ALL STAINLESS STEEL FASTENERS TO PREVENT THREAD DAMAGE AND GALLING | | | |

The driver side Running Board Assembly (item 1) includes (6) preinstalled M8 Set Screws (item 6).
The passenger side Running Board Assembly (item 2) includes (6) preinstalled M8 Set Screws (item 6).

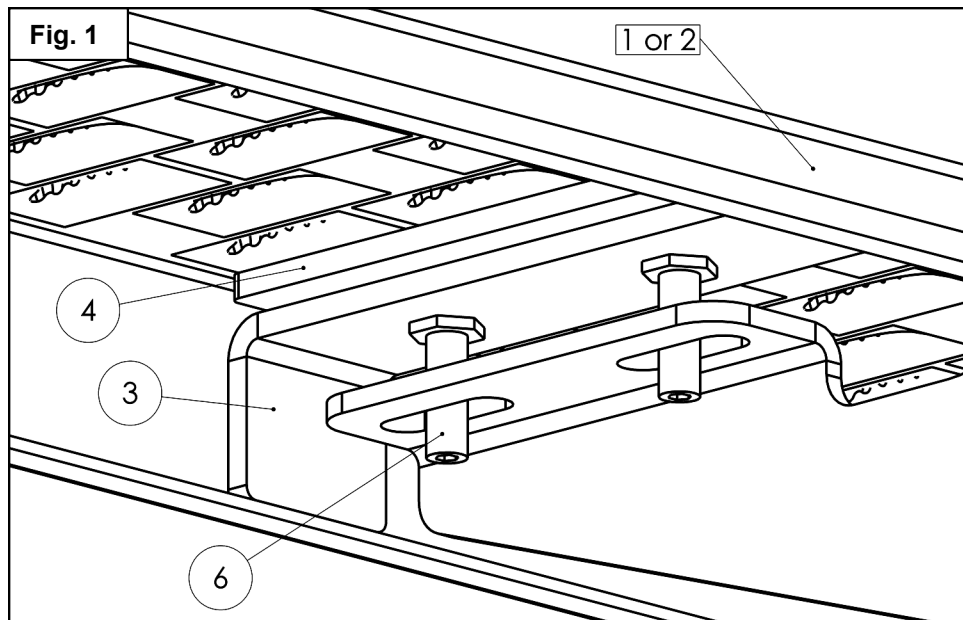


PROCEDURE

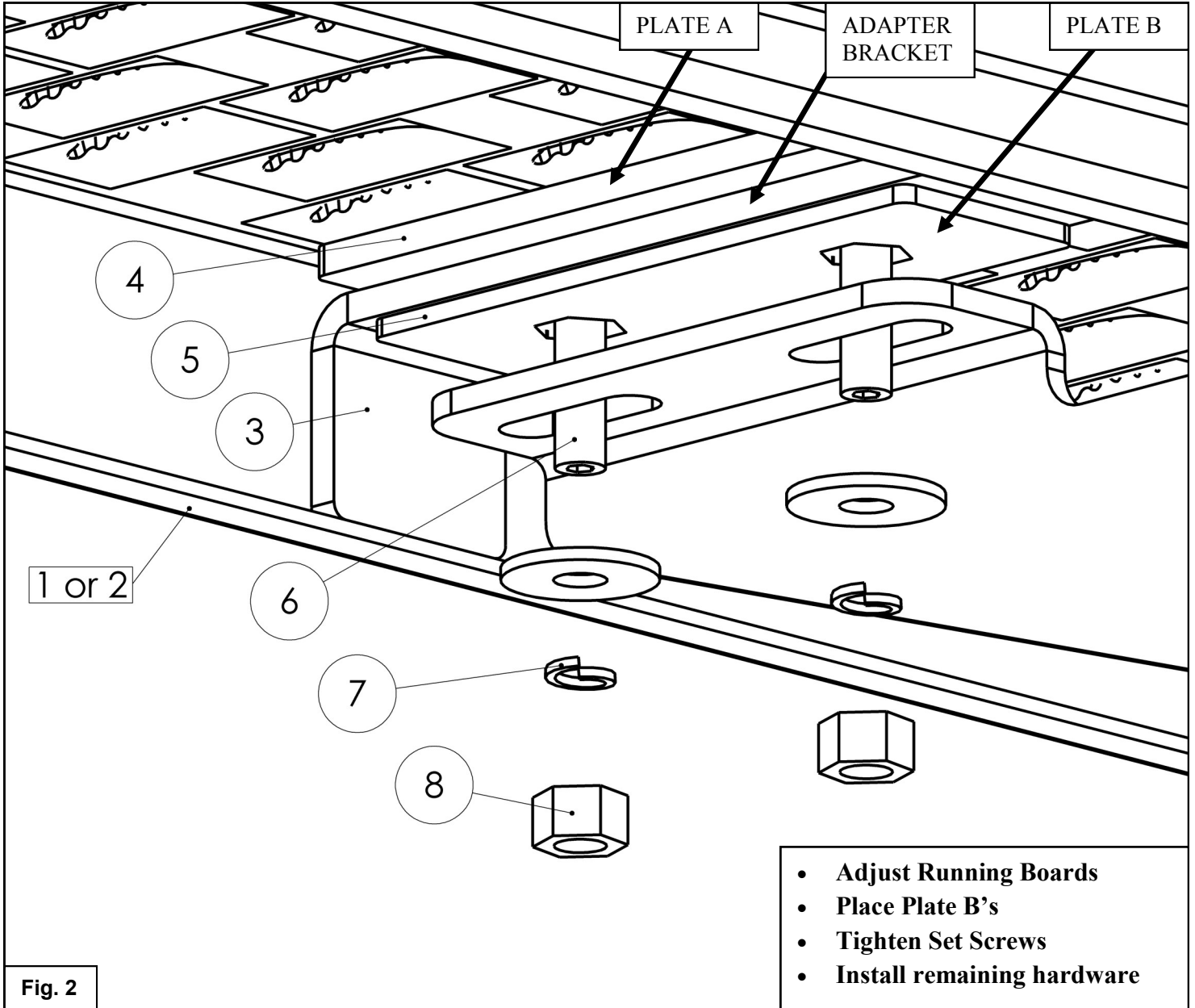
1. Remove contents from box, verify if all parts listed are present and free from damage.
Carefully read and understand all instructions before attempting installation.
Failure to identify damage before installation could lead to a rejection of any claim.



2. Install brackets according the instructions included with the mount kit (**sold separately**).
3. Place the Running Board Assemblies (items 1 & 2) on top of the Mount Brackets
4. Loosen M8 set screws (item 6) and adjust Adapter Brackets (item 3) and Plate A (item 4) so that the M8 Set Screws align with the Mount Bracket slots. See **Figure 1**.



5. Adjust the Running Board Assemblies (item 1 & 2) along the length of the vehicle.
6. For each Adapter Bracket (item 3), lift the Running Board Assembly and place a Plate B (item 5) between the Adapter Bracket and the Mount Bracket. See **Figure 2**.
7. Tighten the M8 Set Screws (item 6) until the Adapter Bracket begins to bend.
Note: Do not overtighten the M8 Set Screws. This may damage the Adapter Brackets. The separation between the Adapter Bracket and Plate B should be no more than 1/16" of an inch.
8. For each Adapter Bracket/Mount Bracket pair, use (2) M8 or 5/16" Flat Washers (included with mount kit), (2) M8 Hex Nuts (item 8), and (2) M8 Split Lock Washers (item 7) to secure the Adapter Brackets (item 3) to the Mount Brackets. See **Figure 2**.
9. Tighten all M8 hardware to 15-18 ft-lbs.



INSTALLATION COMPLETE



CARE INSTRUCTIONS

- REGULAR WAXING IS RECOMMENDED. DO NOT USE ANY TYPE OF POLISH OR WAX THAT MAY CONTAIN ABRASIVES.
- STAINLESS STEEL PRODUCTS CAN BE CLEANED WITH MILD SOAP AND WATER. STAINLESS STEEL POLISH SHOULD BE USED TO POLISH SMALL SCRATCHES.
- GLOSS BLACK FINISHES SHOULD BE CLEANED WITH MILD SOAP AND WATER

WESTIN