

INSTALLATION INSTRUCTIONS

STEP BOARD MOUNT KIT

APPLICATION:

2019 Ram 1500 Crew Cab

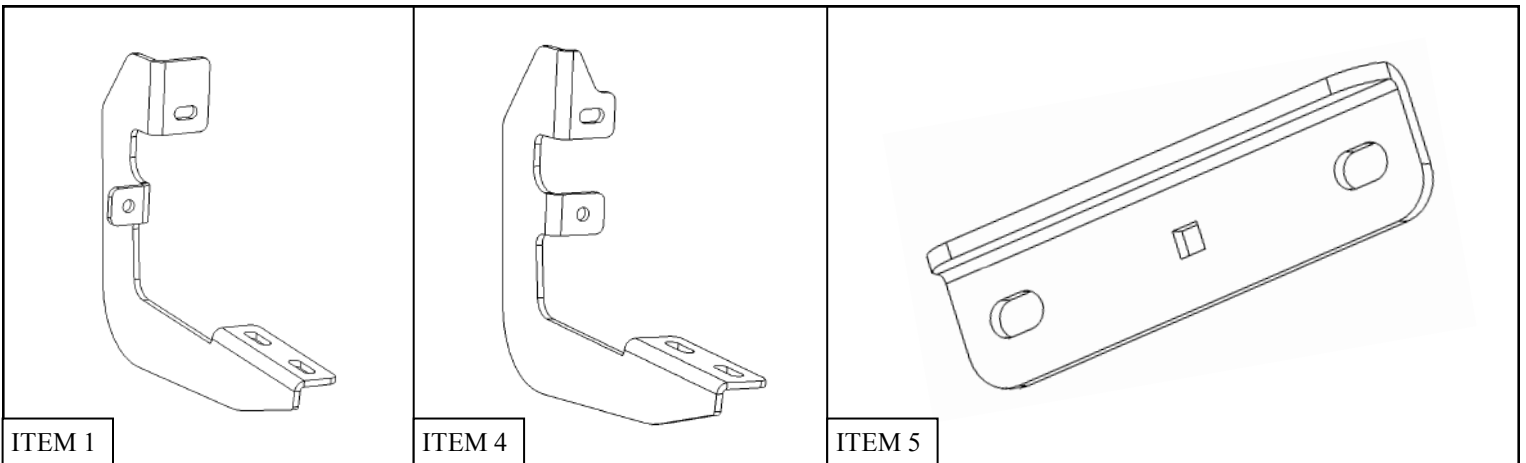
PART NUMBER:

27-2245

WESTIN®

CONTENT			
ITEM	QUANTITY	DESCRIPTION	TOOLS NEEDED
1	3	MOUNTING BRACKET A	13MM SOCKET
2	1	MOUNTING BRACKET B	RATCHET
3,4	2	CENTER MOUNTING BRACKET, DRIVER (3) AND PASSENGER (4)	TORQUE WRENCH
5	6	UNIVERSAL MOUNTING BRACKET	
6	24	M8 HEX NUT (YELLOW ZINC)	
7	24	M8 SPLIT LOCK WASHER (YELLOW ZINC)	
8	36	M8 FLAT WASHER (YELLOW ZINC)	
9	6	M8 ROUND HEAD SQUARE NECK BOLT (BLACK ZINC)	
10	18	M8 PLASTIC RETAINER SQUARE	
11	12	M8 NYLON LOCK NUT (YELLOW ZINC)	
12	12	M8 SQUARE HEAD BOLT (YELLOW ZINC)	

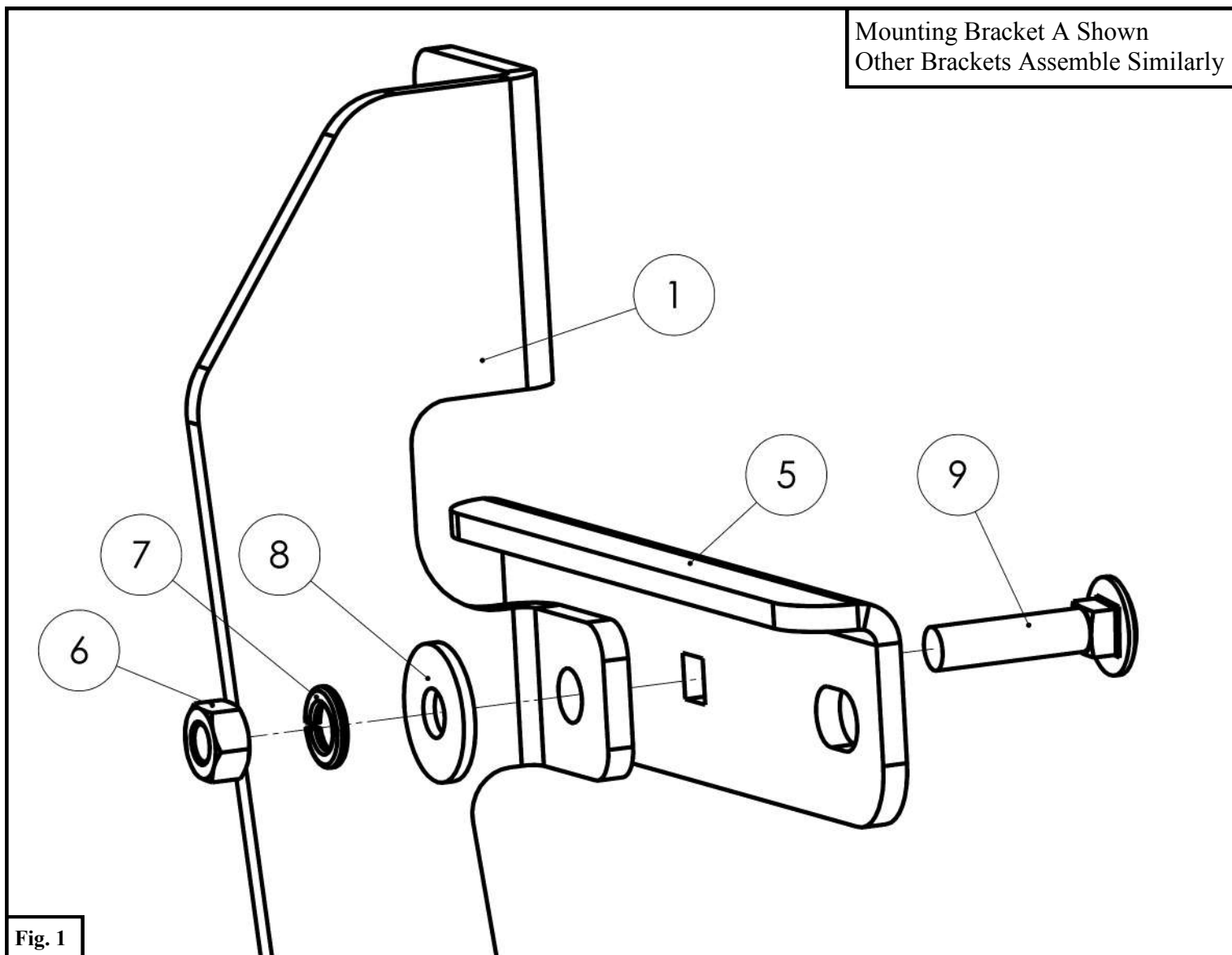
ANTI-SEIZE LUBRICANT MUST BE USED ON ALL STAINLESS STEEL FASTENERS TO PREVENT THREAD DAMAGE AND GALLING



PROCEDURE

1. Remove contents from box, verify if all parts listed are present and free from damage.
Carefully read and understand all instructions before attempting installation.
Failure to identify damage before installation could lead to a rejection of any claim.

2. Preassemble the Mounting Brackets (1-4) and Universal Mounting Brackets (5). Do not tighten hardware at this time. See **Figure 1**.



3. Starting on the passenger side of the vehicle, locate the 3 mounting locations on the rocker panel.

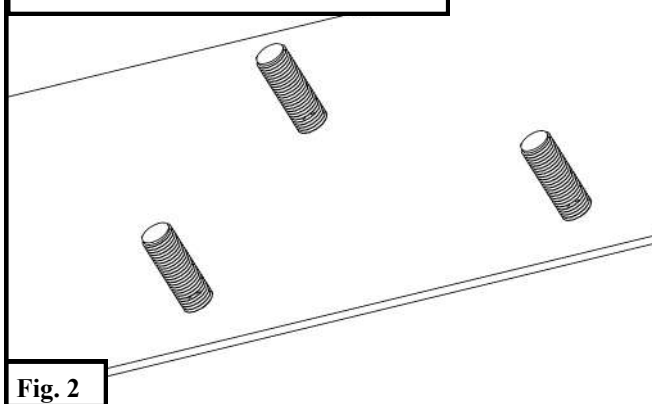
Note A: The rear mounting location is shown in **Figure 2**.

Other mounting locations are similar.

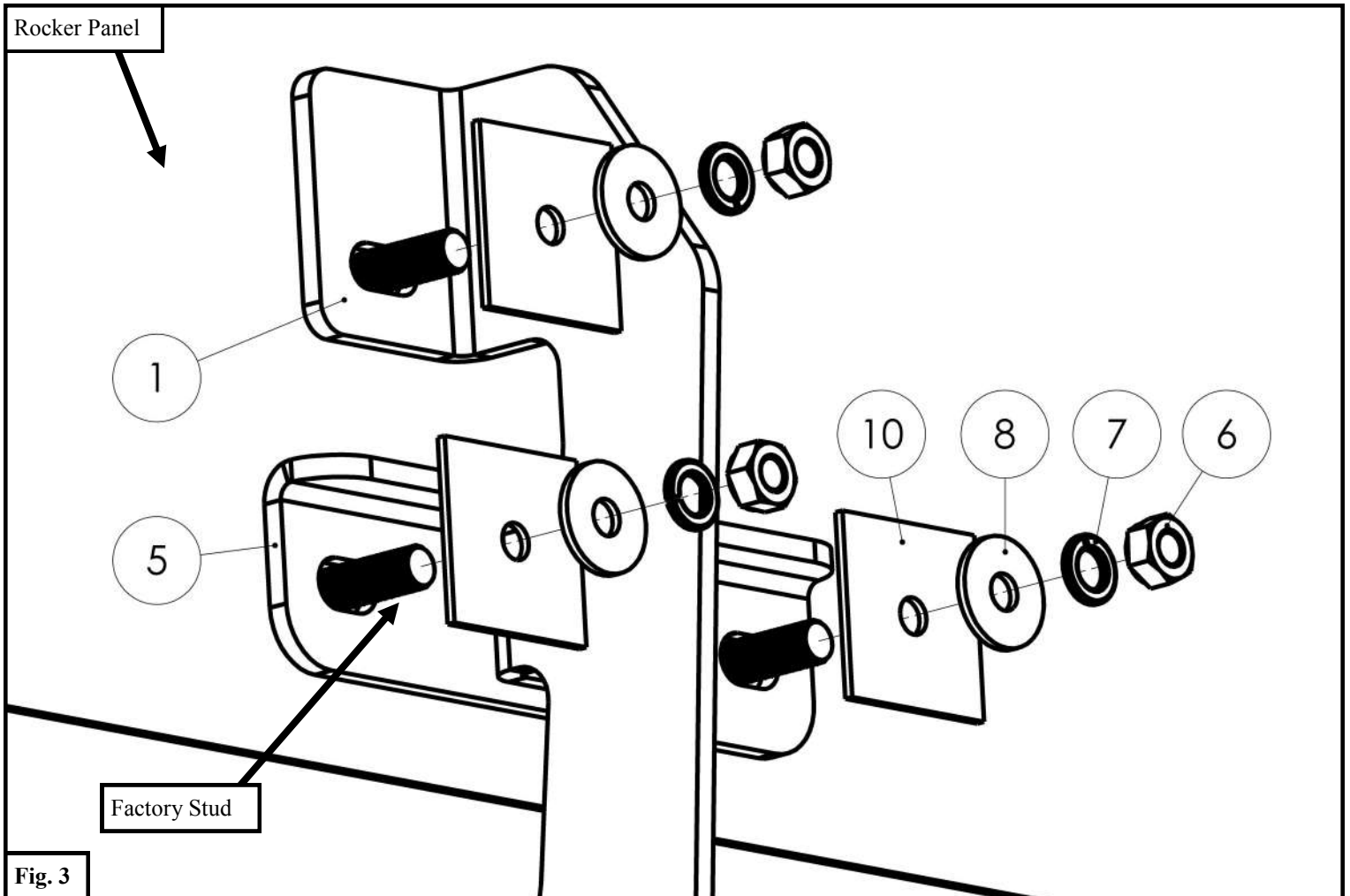
Note B: The lower two studs on the rocker panel have a thick coat of paint on them. When installing the M8 hex nuts, apply extra pressure to start. If necessary, back M8 hex nuts off the studs to clear build up.

See **Figure 2**.

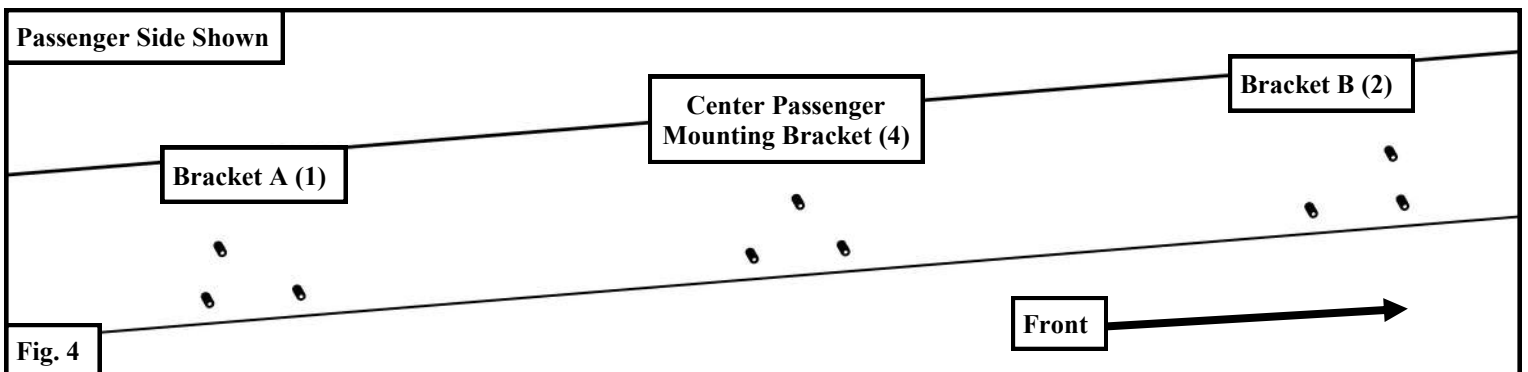
Rear Mounting Location Shown
Other Mounting Locations are Similar



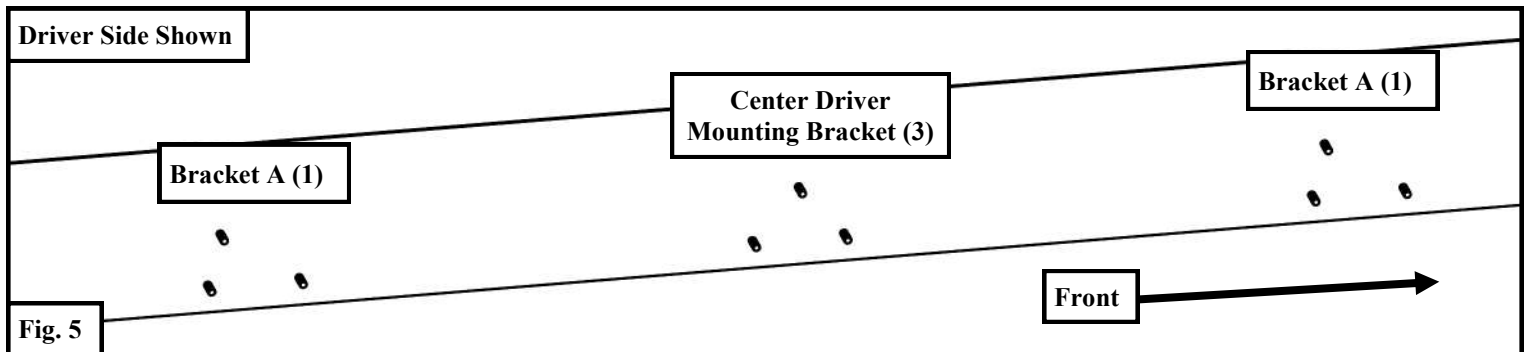
4. At the rear mounting location, loosely install a Mounting Bracket A (1) with preassembled Universal Bracket (5) using the supplied M8 hardware (6-8, 10). See **Figure 3**.



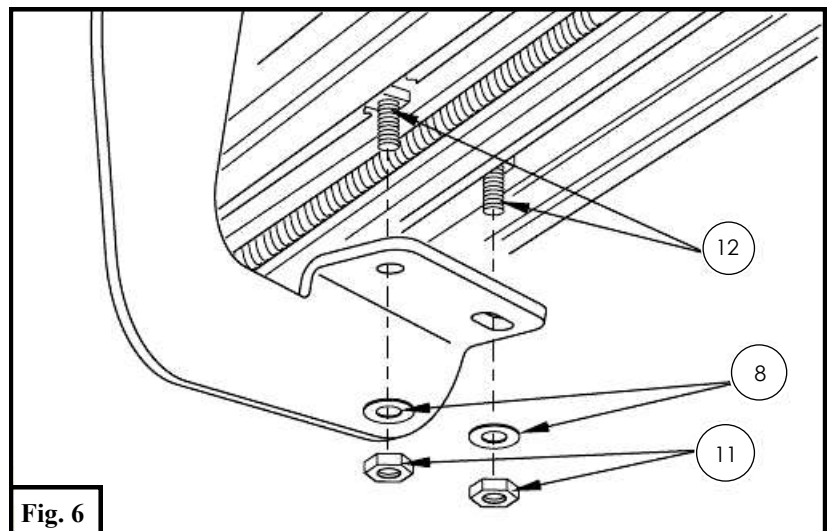
5. At the center passenger mounting location, loosely install the Passenger Side Center Mounting Bracket (4) with the preassembled Universal Bracket (5) using the supplied M8 hardware (6-8, 10). **Note:** Installation is similar Bracket A (1). See **Figure 4**.
6. At the front passenger mounting location, loosely install the Mounting Bracket B (2) with preassembled Universal Bracket (5) using the supplied M8 hardware (6-8, 10). **Note:** Installation is similar Bracket A (1). See **Figure 4**.



7. Loosely install the remaining brackets on the driver side of the vehicle using the supplied M8 hardware (6-8, 10). See **Figures 3 & 5**.



8. Lay the running boards on top of the brackets.
9. Slide the M8 square head bolts (12) through slots on the bottom of the running board (excluding the center slot, three bolts per slot).
10. Loosely install the supplied M8 flat washers (8) and M8 nylon lock nuts (11). See **Figure 6**.
11. Align and adjust the running board as needed and fully tighten all hardware. Torque all M8 fasteners to 15-18 ft-lbs.



INSTALLATION COMPLETE





WARNING



Failure to follow these instructions could lead to death, personal injury, and / or property damage.

FASTENERS:

All Westin supplied fasteners must be utilized and installed in accordance with the installation instructions and apply torque to the specifications as defined. **DOUBLE CHECK ALL FASTENERS BEFORE INITIAL USE, AND PERIODICALLY IN THE FUTURE TO ENSURE PROPER FUNCTION AND SAFETY.**

DRILLING:

Most Westin products do not require drilling for installation. If drilling is defined as required, use caution when drilling a vehicle. **FAILURE TO REVIEW AN AREA TO BE DRILLED MAY RESULT IN PERSONAL INJURY AND/OR INJURY TO OTHERS AS WELL AS VEHICLE DAMAGE.**

EYE PROTECTION:

ALWAYS WEAR SAFETY GLASSES OR GOGGLES DURING THE INSTALLATION PROCESS TO AVOID PERSONAL INJURY.

MAXIMUM TOWING/CARRYING CAPACITY:

The Westin Receiver Hitches will have a visible tow rating label affixed directly on the product. User should never exceed the vehicle manufacturers maximum tow and weight rating regardless of the capacity of the hitch. **FAILURE TO FOLLOW THESE GUIDELINES WILL VOID THE WESTIN WARRANTY AND MAY RESULT IN PERSONAL INJURY AND/OR INJURY TO OTHERS AS WELL AS VEHICLE DAMAGE.**