

# INSTALLATION INSTRUCTIONS

## PLATINUM OVAL & E-SERIES STEP BARS



### APPLICATION:

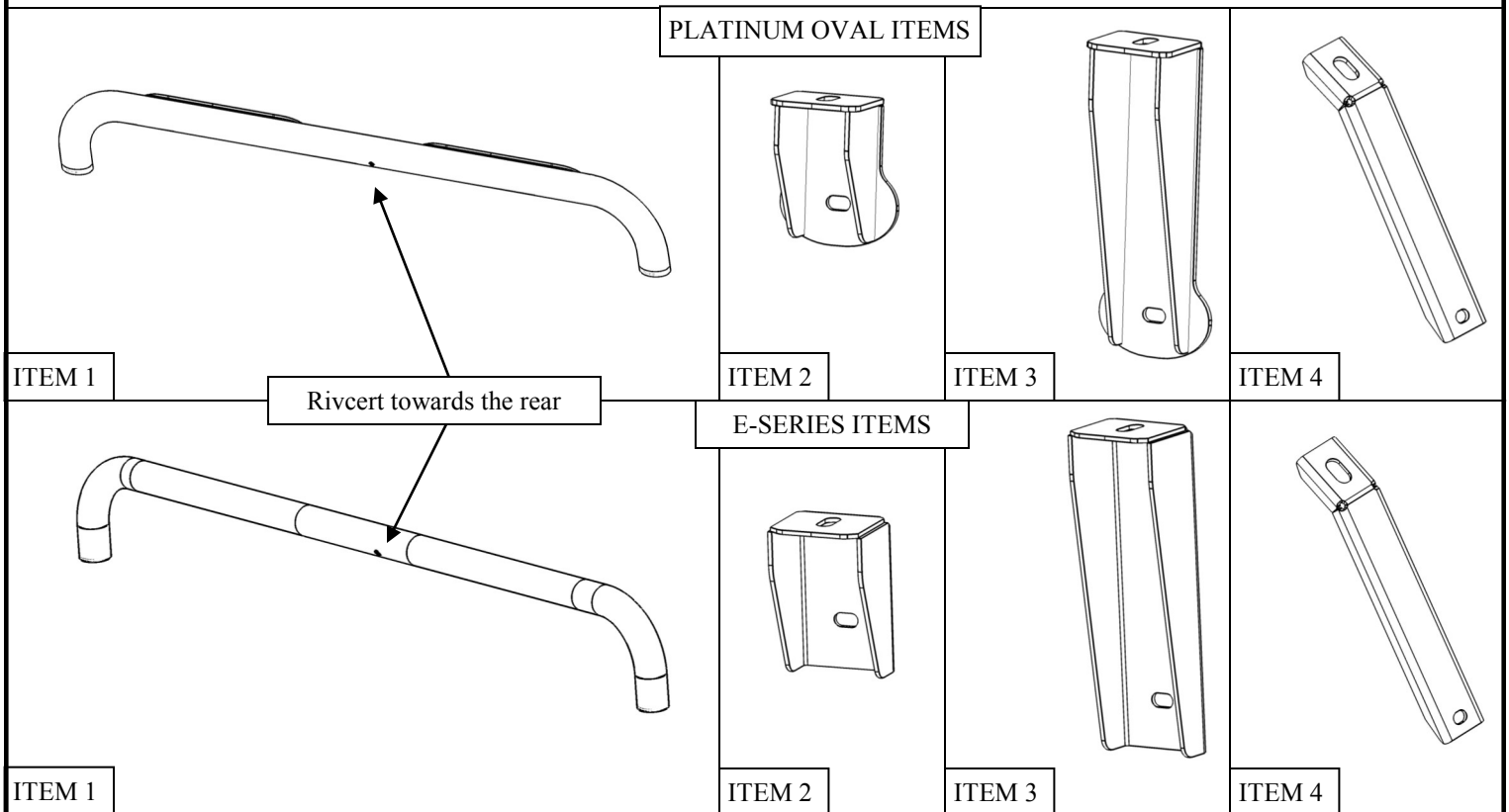
2019 Chevy Silverado/GMC Sierra 1500 Crew Cab & Double Cab

### PART NUMBERS:

21-4130, 21-4135, 23-4130, 23-4135, 21-4120, 21-4125, 23-4120, 23-4125

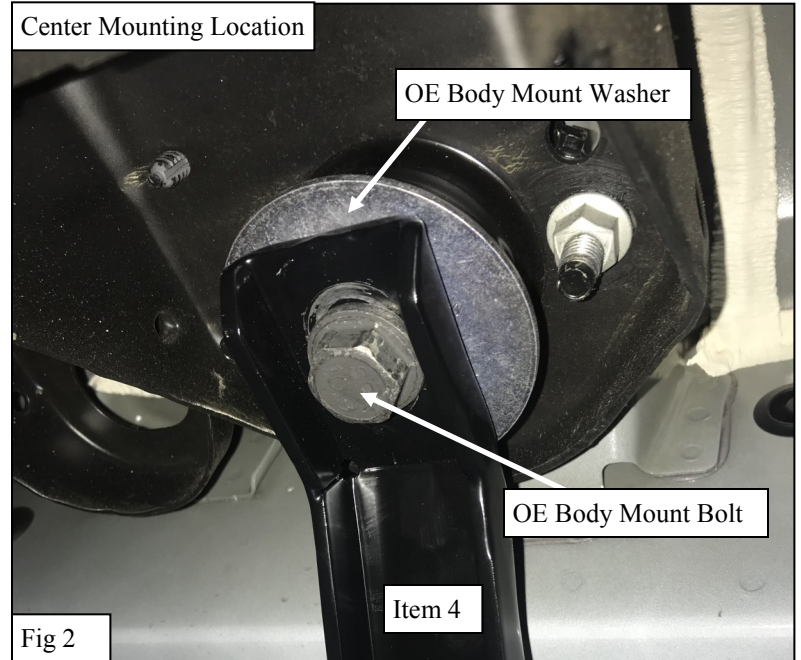
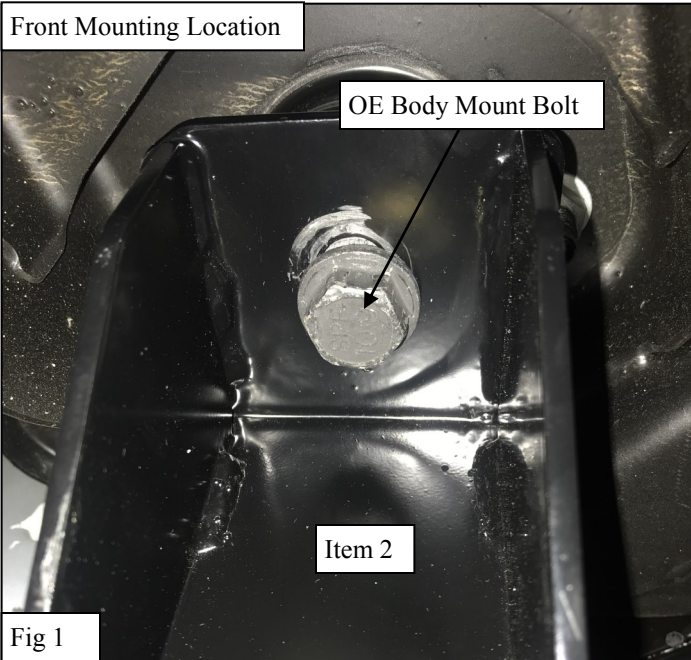
CONTENT			
ITEM	QUANTITY	DESCRIPTION	TOOLS NEEDED
1	2	STEP BAR ASSEMBLY (1 DRIVER, 1 PASSENGER)	16MM SOCKET
2	2	FRONT MOUNTING BRACKET	16MM WRENCH
3	2	REAR MOUNTING BRACKET	3/4" SOCKET
4	2	CENTER BRACKET	3/4" WRENCH
5	4	1/2" HEX HEAD CAP SCREW (YELLOW ZINC)	RATCHET
6	4	1/2" FLAT WASHER (YELLOW ZINC)	TORQUE WRENCH
7	4	1/2" SPLIT LOCK WASHER (YELLOW ZINC)	21MM SOCKET
8	4	M10 BUTTON HEAD CAP SCREW (BLACK STAINLESS)	ALLEN WRENCH
9	4	M10 FLAT WASHER (BLACK STAINLESS)	
10	4	M10 TOOTHED LOCK WASHER (BLACK STAINLESS)	

**ANTI-SEIZE LUBRICANT MUST BE USED ON ALL STAINLESS STEEL FASTENERS TO PREVENT THREAD DAMAGE AND GALLING**

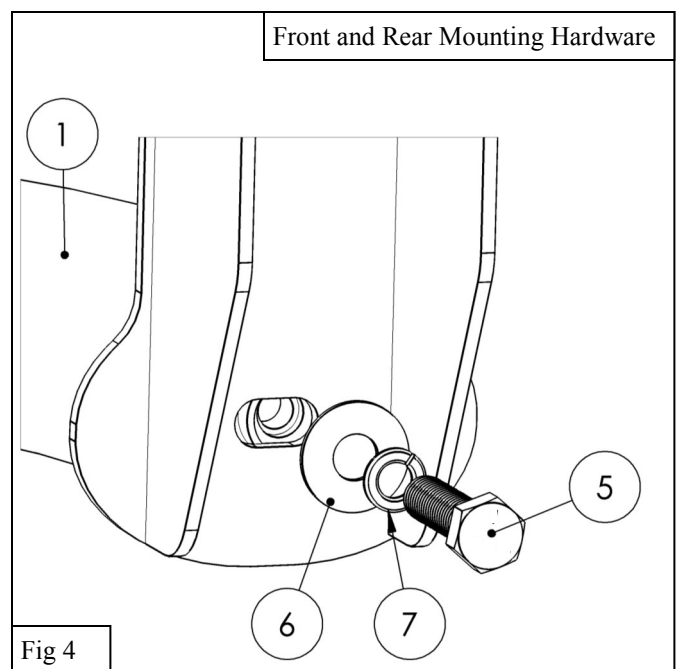
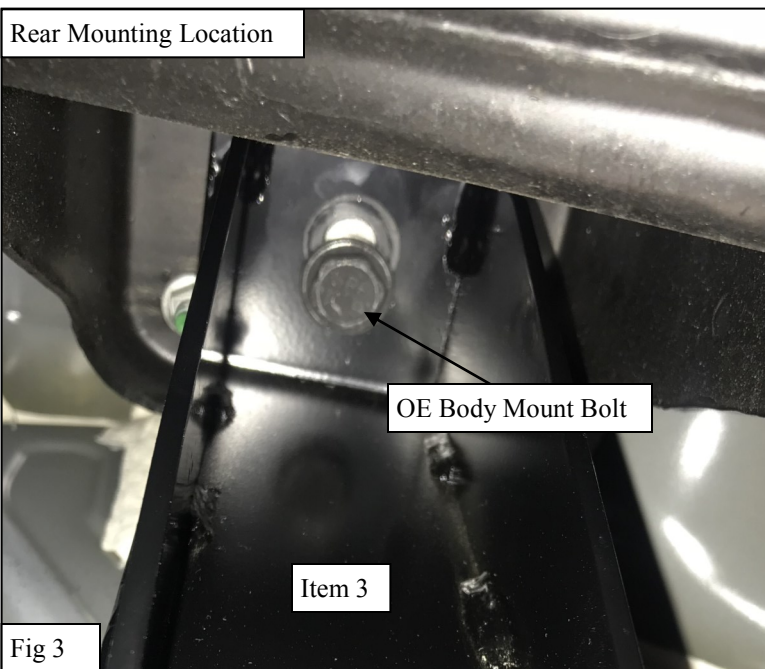


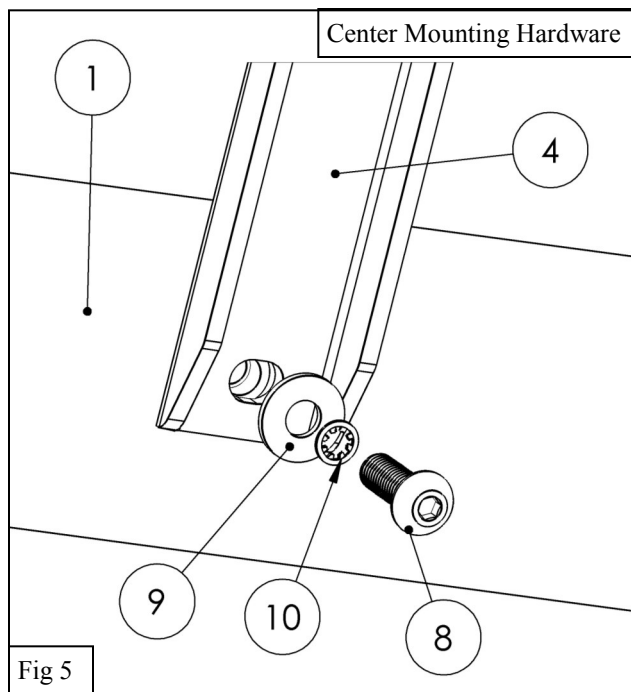
## PROCEDURE

1. Remove contents from box, verify if all parts listed are present and free from damage. Carefully read and understand all instructions before attempting installation.  
**Failure to identify damage before installation could lead to a rejection of any claim.**
2. Begin by loosely installing the Mounting Brackets (2-4). Do so by removing the body mount bolt at each location and then installing the brackets as shown. **Note: WHEN INSTALLING BRACKETS, THE OE BODY MOUNT WASHER MUST BE REINSTALLED IN THE SAME LOCATION: IMMEDIATELY AFTER THE BODY MOUNT. The order will be body mount, washer, bracket (2-4), OE body mount bolt.** See Figures 1-3.



3. Install the Step Bar (1) to the brackets using the supplied 1/2" and M10 Hardware. See **Figures 4 & 5**. *Note: Platinum Oval Shown; E-Series similar.*





- Adjust the installed step bar as desired and torque all hardware: 1/2" to 50-55 ft-lbs, M10 to 25-30 ft-lbs, and OE Body Mount Bolts to 120 ft-lbs.



#### CARE INSTRUCTIONS

- REGULAR WAXING IS RECOMMENDED. DO NOT USE ANY TYPE OF POLISH OR WAX THAT MAY CONTAIN ABRASIVES
- STAINLESS STEEL PRODUCTS CAN BE CLEANED WITH MILD SOAP AND WATER. STAINLESS STEEL POLISH SHOULD BE USED TO POLISH SMALL SCRATCHES.
- GLOSS BLACK FINISHES SHOULD BE CLEANED WITH MILD SOAP AND WATER