



INSTALLATION INSTRUCTIONS

APPLICATION: OVAL TUBE MOUNT ADAPTER KIT
22-5000 SERIES OVAL TUBES
22-6000 SERIES OVAL TUBES

AUTOMOTIVE PRODUCTS,

ASSEMBLIES					
POLISHED STAINLESS STEEL			BLACK MILD STEEL		
22-5000	22-5020	22-6030	22-5005	22-5025	22-6035
22-5030	22-5040	22-6040	22-5035	22-5045	22-6045
22-5050	22-5060		22-5055	22-5065	
22-6000	22-6020		22-6005	22-6025	

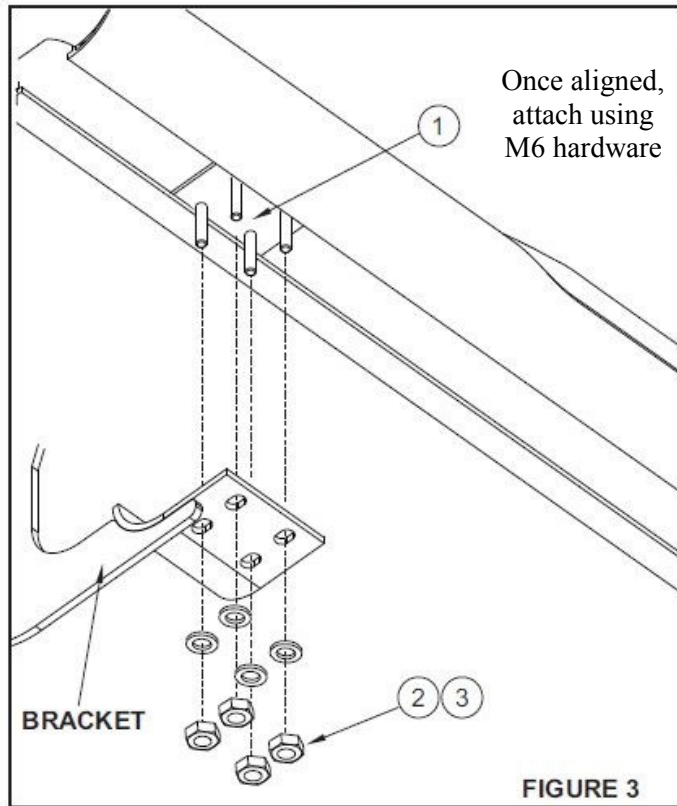
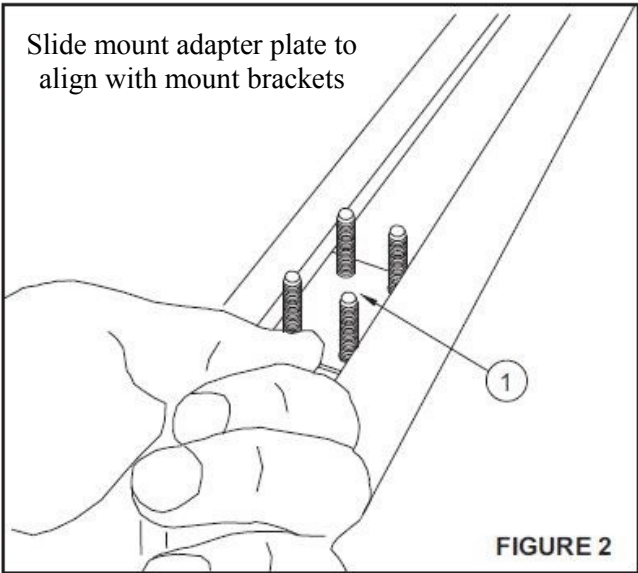
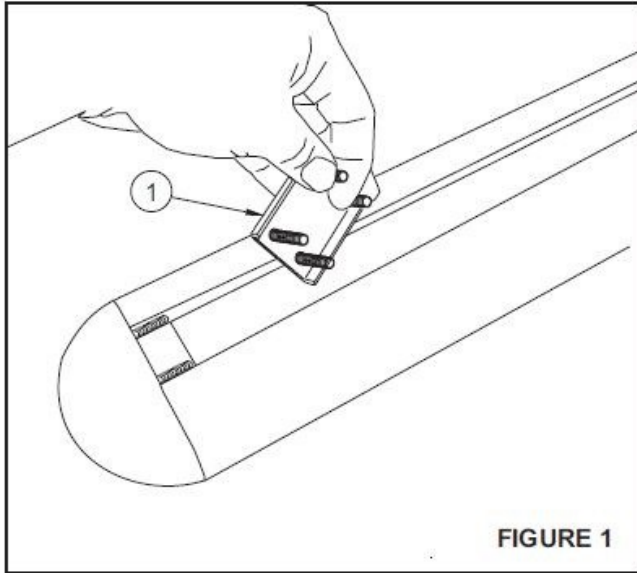
ITEM	QUANTITY	DESCRIPTION	TOOLS NEEDED
1	6/8*	MOUNT ADAPTER PLATE	10MM SOCKET
2	24/32*	M6 x 1.00 LOCK NUT	RATCHET
3	24/32*	M6 FLAT WASHER	TORQUE WRENCH
4	8	6 INCH ADAPTER PLATE (NOT INCLUDED IN 4" OVAL TUBE STEP APPLICATIONS)	

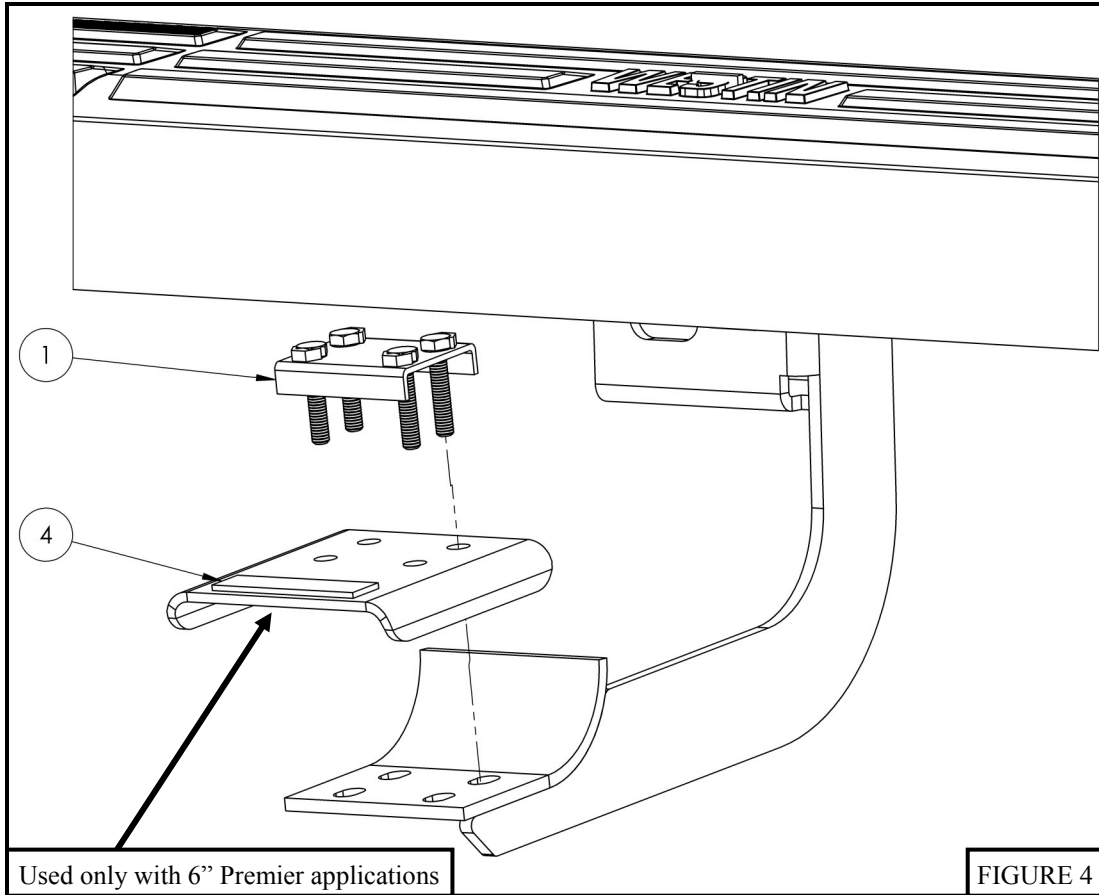
ANTI-SEIZE LUBRICANT MUST BE USED ON ALL STAINLESS STEEL FASTENERS TO PREVENT THREAD DAMAGE AND GALLING

*** QUANTITIES INCLUDED DEPEND UPON APPLICATION.**

PROCEDURE
<p>1. Remove contents from box, verify if all parts listed are present and free from damage. Carefully read and understand all instructions before attempting installation. Failure to identify damage before installation could lead to a rejection of any claim.</p>
<p>2. Insert mount adapter plates in oval tubes. See Figures 1 & 2.</p> <p>NOTE: Depending on vehicle applications, not all mount adapter plates and fasteners may be used.</p>
<p>3. Attach brackets to the vehicle as shown in your Oval Tube Mount Kit instruction sheet.</p>
<p>4. Adjust and align mount adapters plates to each bracket. Refer to Figures 2 & 3.</p>
<p>5. Attach oval tubes to brackets using M6 fasteners. Leave loose. See Figure 3. Place the oval tube so that the long step pad is forward and the end cap screws are facing inward.</p>
<p>6. Make sure oval tubes are properly aligned and tighten all fasteners. Recommended torque values for the M6 fasteners are 7 FT. LBS. NOTE: For all other torque values, consult the instruction sheet supplied in the oval tube mount kit.</p>
<p>7. For 6 inch ovals (22-60XX applications). Take the 6 inch adapter plate and place it between the mounting bracket and 6 inch oval tube (Sold Separately) attach using M6 fasteners. See Figure 4. NOTE: Some applications may only require 4, 6, or 8 sets of M6 hardware and adapters. If this is the case please disregard the extra hardware. Quantities of hardware and adapters to be used should match the quantities found in the Oval Tube Mount Kit.</p>







Used only with 6" Premier applications

FIGURE 4

CARE INSTRUCTIONS

- REGULAR WAXING IS RECOMMENDED. DO NOT USE ANY TYPE OF POLISH OR WAX THAT MAY CONTAIN ABRASIVES.
- STAINLESS STEEL PRODUCTS CAN BE CLEANED WITH MILD SOAP AND WATER. STAINLESS STEEL POLISH SHOULD BE USED TO POLISH SMALL SCRATCHES.
- GLOSS BLACK FINISHES SHOULD BE CLEANED WITH MILD SOAP AND WATER.



Learn more about running boards and step bars we have.