

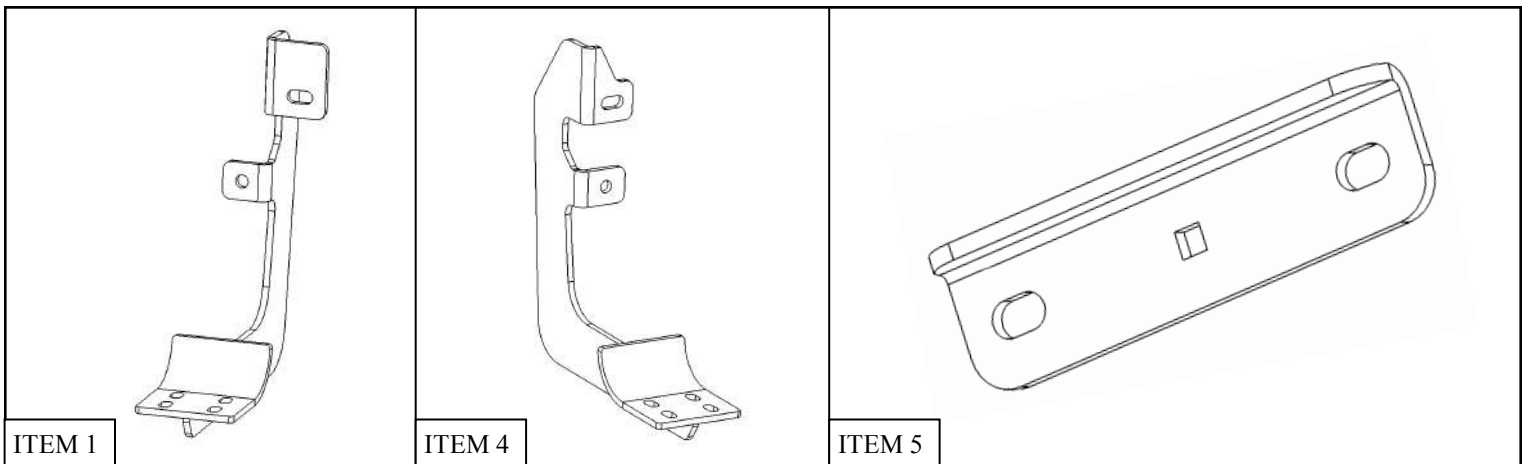
INSTALLATION INSTRUCTIONS



OVAL TUBE MOUNT KIT
APPLICATION:
2019 Ram 1500 Crew Cab
PART NUMBER:
22-2245

CONTENT			
ITEM	QUANTITY	DESCRIPTION	TOOLS NEEDED
1	3	MOUNTING BRACKET A	13MM SOCKET
2	1	MOUNTING BRACKET B	RATCHET
3,4	2	CENTER MOUNTING BRACKET, DRIVER (3) AND PASSENGER (4)	TORQUE WRENCH
5	6	UNIVERSAL MOUNTING BRACKET	
6	24	M8 HEX NUT (YELLOW ZINC)	
7	24	M8 SPLIT LOCK WASHER (YELLOW ZINC)	
8	24	M8 FLAT WASHER (YELLOW ZINC)	
9	6	M8 ROUND HEAD SQUARE NECK BOLT (BLACK ZINC)	

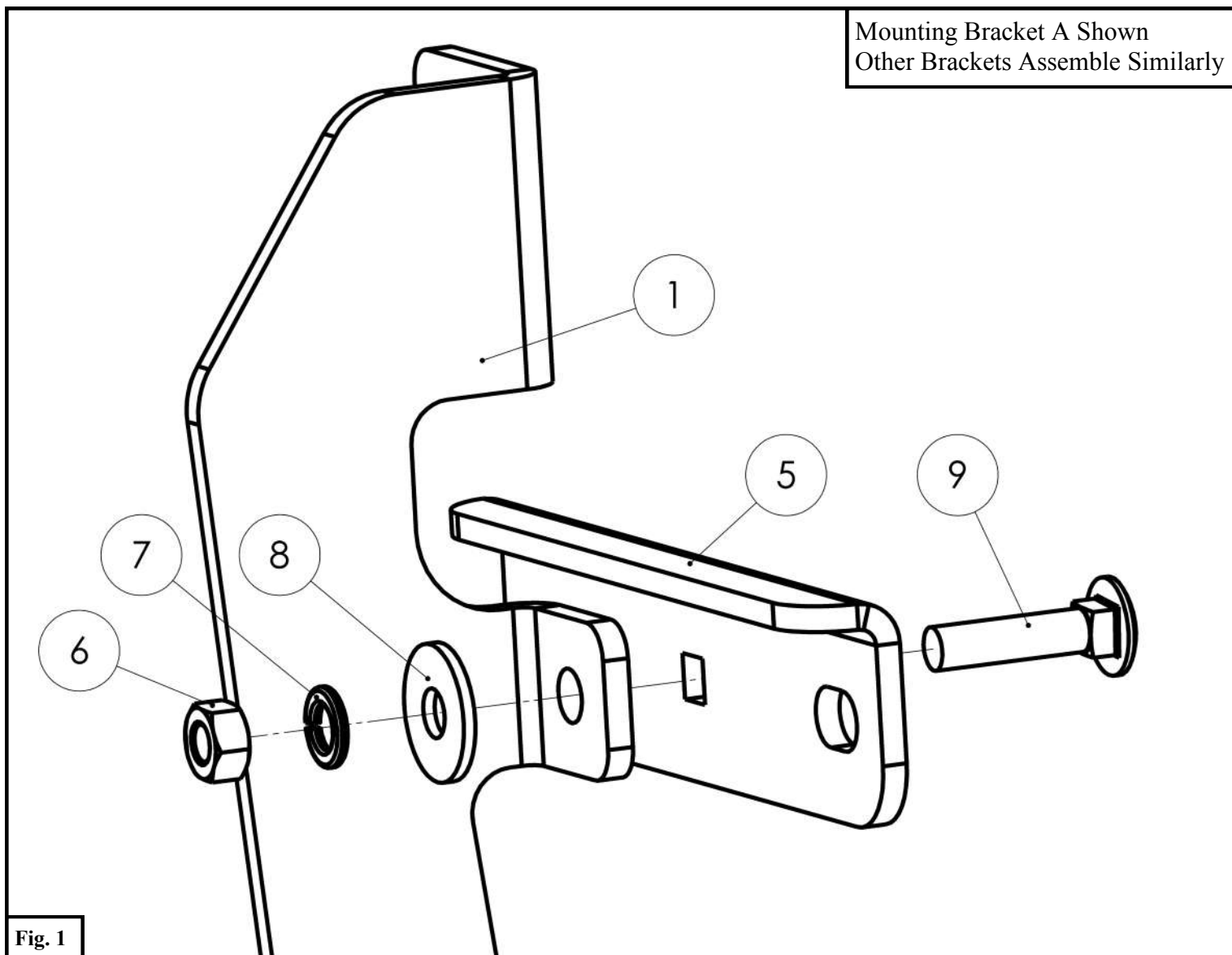
ANTI-SEIZE LUBRICANT MUST BE USED ON ALL STAINLESS STEEL FASTENERS TO PREVENT THREAD DAMAGE AND GALLING



PROCEDURE

1. Remove contents from box, verify if all parts listed are present and free from damage.
Carefully read and understand all instructions before attempting installation.
Failure to identify damage before installation could lead to a rejection of any claim.

2. Preassemble the Mounting Brackets (1-4) and Universal Mounting Brackets (5). Do not tighten hardware at this time. See **Figure 1**.



3. Starting on the passenger side of the vehicle, locate the 3 mounting locations on the rocker panel.

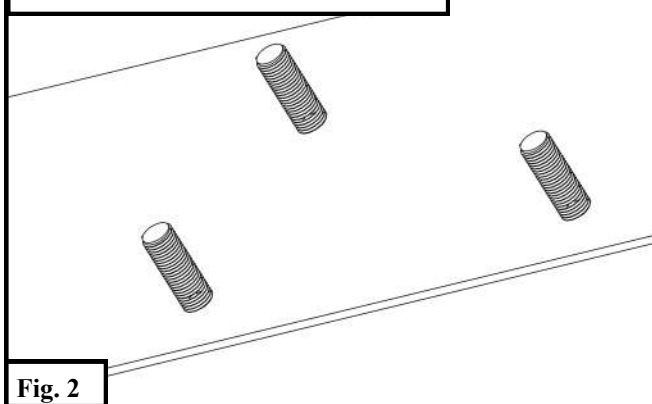
Note A: The rear mounting location is shown in **Figure 2**.

Other mounting locations are similar.

Note B: The lower two studs on the rocker panel have a thick coat of paint on them. When installing the M8 hex nuts, apply extra pressure to start. If necessary, back M8 hex nuts off the studs to clear build up.

See **Figure 2**.

Rear Mounting Location Shown
Other Mounting Locations are Similar



- At the rear mounting location, loosely install a Mounting Bracket A (1) with preassembled Universal Bracket (5) using the supplied M8 hardware (6-8). See **Figure 3**.

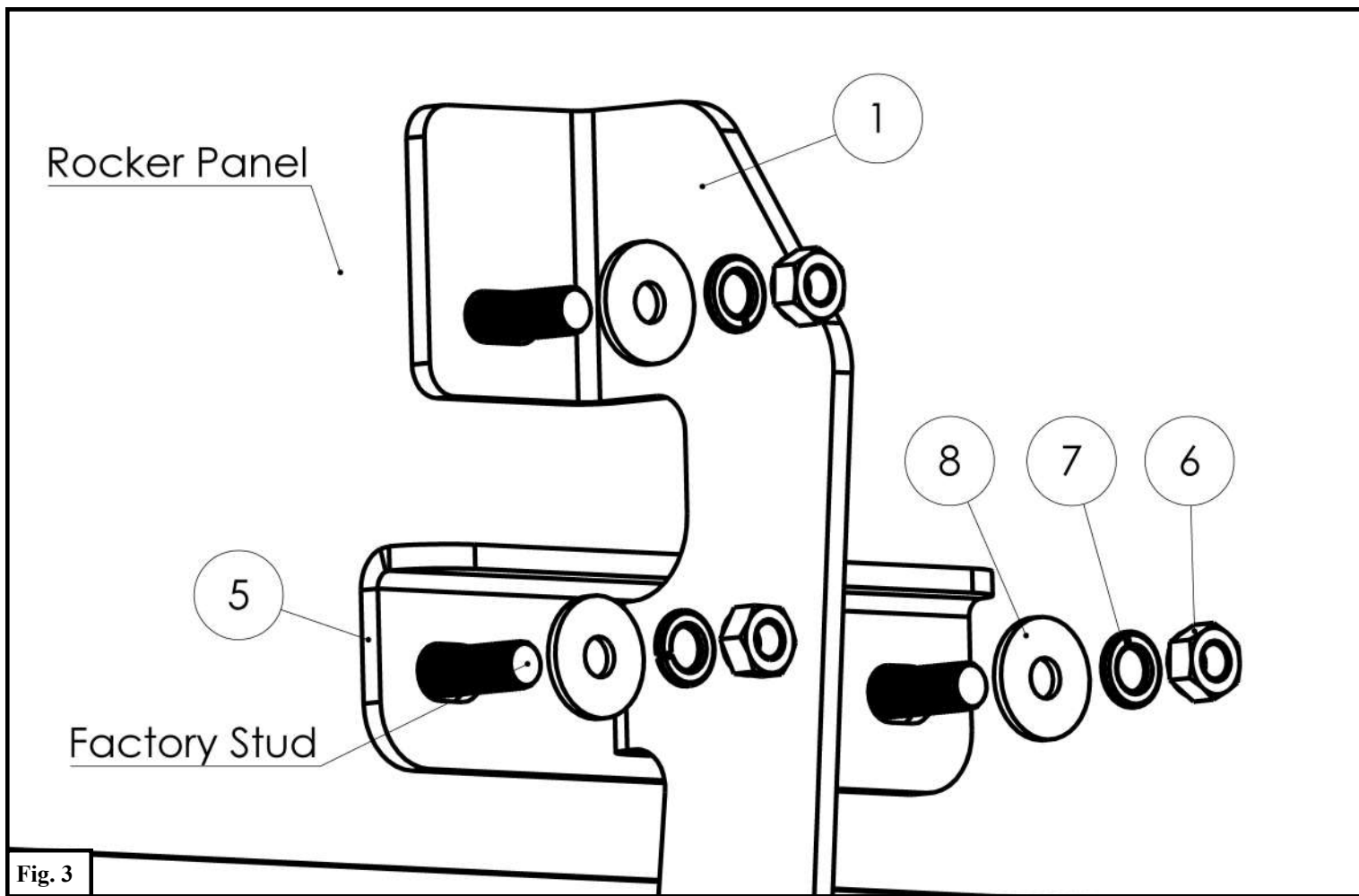


Fig. 3

- At the center passenger mounting location, loosely install the Passenger Side Center Mounting Bracket (4) with the preassembled Universal Bracket (5) using the supplied M8 hardware (6-8). **Note:** Installation is similar Bracket A (1). See **Figure 4**.
- At the front passenger mounting location, loosely install the Mounting Bracket B (2) with preassembled Universal Bracket (5) using the supplied M8 hardware (6-8). **Note:** Installation is similar Bracket A (1). See **Figure 4**.

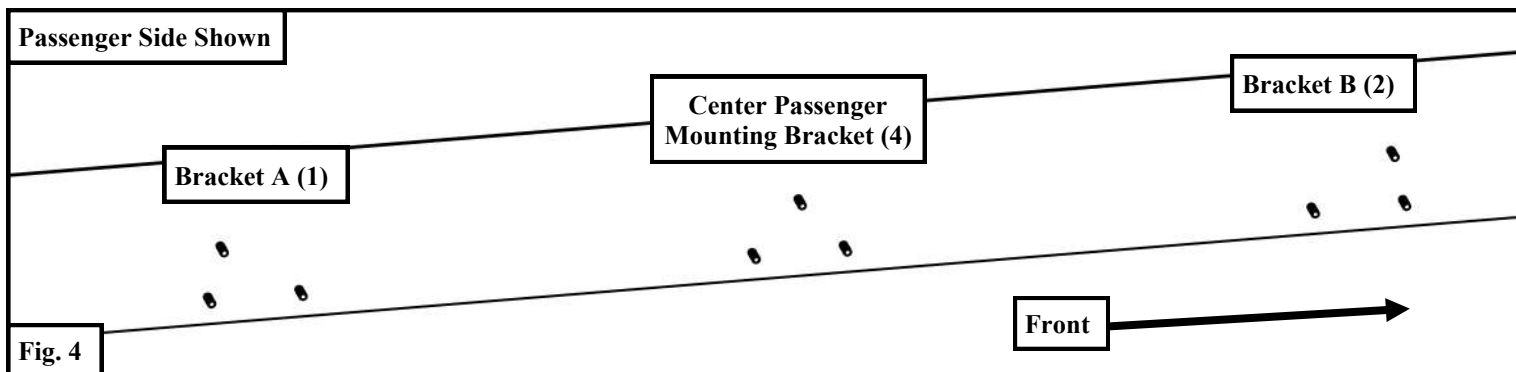
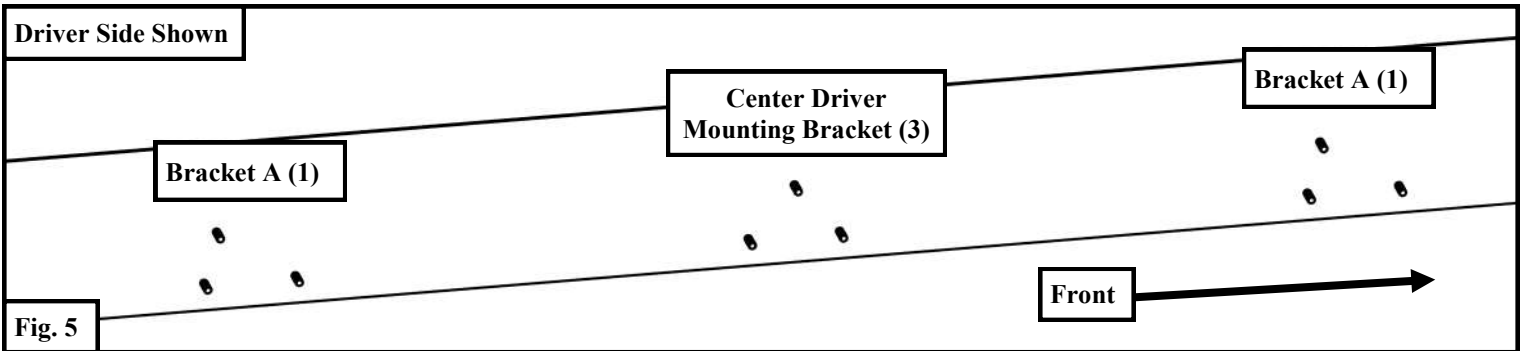
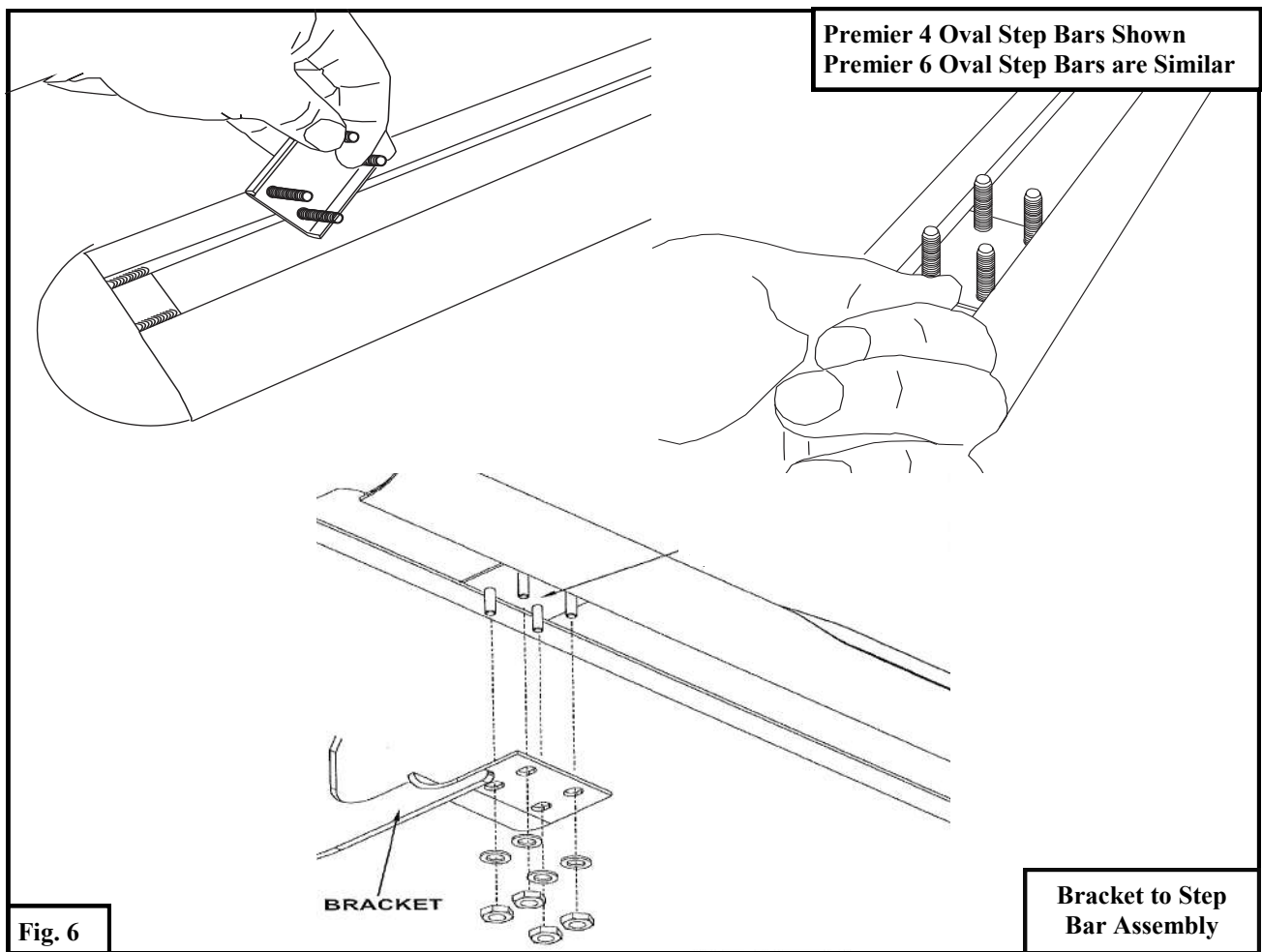


Fig. 4

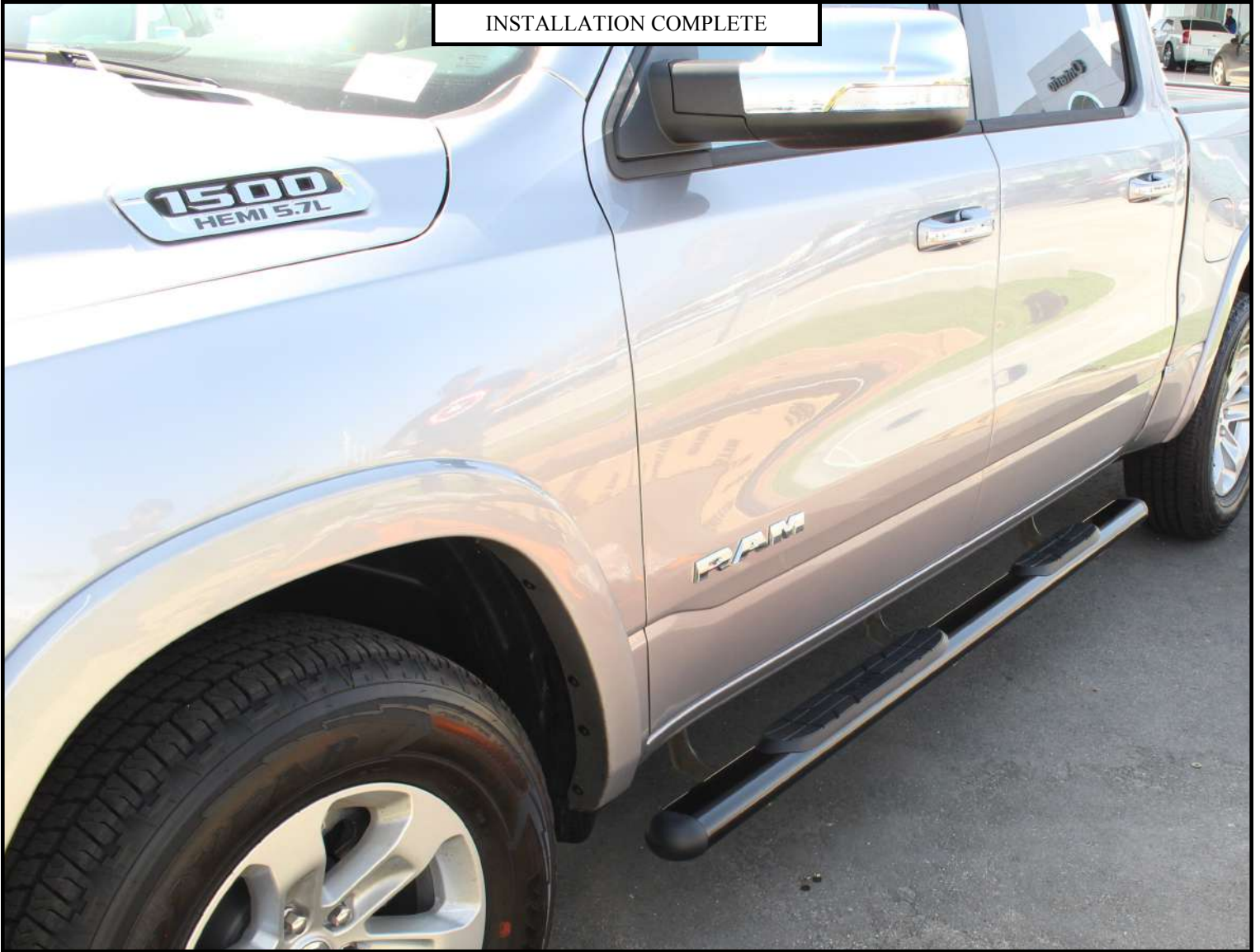
7. Loosely install the remaining brackets on the driver side of the vehicle using the supplied M8 hardware (6-8).
See **Figures 3 & 5**.



8. Fasten oval tube step bars respectively to either side using the M6 hardware provided with the step bars. See **Figure 6**.
Note: Detailed instructions are included with the step bars. Do not tighten M6 hardware at this time.
9. Align and adjust the step bars as needed and fully tighten all hardware. Torque all M6 fasteners to 5-7 ft-lbs and all M8 fasteners to 15-18 ft-lbs.



INSTALLATION COMPLETE



CARE INSTRUCTIONS

- REGULAR WAXING IS RECOMMENDED. DO NOT USE ANY TYPE OF POLISH OR WAX THAT MAY CONTAIN ABRASIVES
- STAINLESS STEEL PRODUCTS CAN BE CLEANED WITH MILD SOAP AND WATER. STAINLESS STEEL POLISH SHOULD BE USED TO POLISH SMALL SCRATCHES.
- GLOSS BLACK FINISHES SHOULD BE CLEANED WITH MILD SOAP AND WATER



WARNING



Failure to follow these instructions could lead to death, personal injury, and / or property damage.

FASTENERS:

All Westin supplied fasteners must be utilized and installed in accordance with the installation instructions and apply torque to the specifications as defined. **DOUBLE CHECK ALL FASTENERS BEFORE INITIAL USE, AND PERIODICALLY IN THE FUTURE TO ENSURE PROPER FUNCTION AND SAFETY.**

DRILLING:

Most Westin products do not require drilling for installation. If drilling is defined as required, use caution when drilling a vehicle. **FAILURE TO REVIEW AN AREA TO BE DRILLED MAY RESULT IN PERSONAL INJURY AND/OR INJURY TO OTHERS AS WELL AS VEHICLE DAMAGE.**

EYE PROTECTION:

ALWAYS WEAR SAFETY GLASSES OR GOGGLES DURING THE INSTALLATION PROCESS TO AVOID PERSONAL INJURY.

MAXIMUM TOWING/CARRYING CAPACITY:

The Westin Receiver Hitches will have a visible tow rating label affixed directly on the product. User should never exceed the vehicle manufacturers maximum tow and weight rating regardless of the capacity of the hitch. **FAILURE TO FOLLOW THESE GUIDELINES WILL VOID THE WESTIN WARRANTY AND MAY RESULT IN PERSONAL INJURY AND/OR INJURY TO OTHERS AS WELL AS VEHICLE DAMAGE.**