

# INSTALLATION INSTRUCTIONS

## PRO TRAXX 5 OVAL STEP BAR



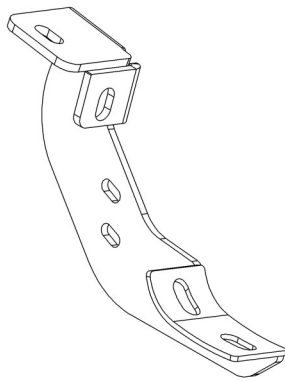
APPLICATION:  
2020 Ford Explorer  
PART NUMBER:  
21-54170, 21-54175

CONTENT			
ITEM	QUANTITY	DESCRIPTION	TOOLS NEEDED
1	1	DRIVER STEP BAR	13MM SOCKET
2	1	PASSENGER STEP BAR	RATCHET
3	3	DRIVER SIDE BRACKETS	TORQUE WRENCH
4	3	PASSENGER SIDE BRACKETS	15MM SOCKET
5	6	M10 HEX HEAD BOLT (YELLOW ZINC)	
6	6	M10 SPLIT LOCK WASHER (YELLOW ZINC)	
7	6	M10 FLAT WASHER (YELLOW ZINC)	
8	6	M10 SERRATED FLANGE NUT (YELLOW ZINC)	
9	6	M8 HEX HEAD BOLT (YELLOW ZINC)	
10	6	M8 SPLIT LOCK WASHER (YELLOW ZINC)	
11	6	M8 FLAT WASHER (YELLOW ZINC)	
12	12	M6 HEX HEAD BOLT (YELLOW ZINC)	
13	24	M6 FLAT WASHER (YELLOW ZINC)	
14	12	M6 NYLOCK NUT (YELLOW ZINC)	
15	12	M10 BUTTON HEAD BOLT (BLACK ZINC)	
16	12	M10 TOOTH LOCK WASHER (BLACK ZINC)	
17	12	M10 FLAT WASHER (BLACK ZINC)	
18	6	M8 U-CLIP	
19	6	BRACKET COVER	

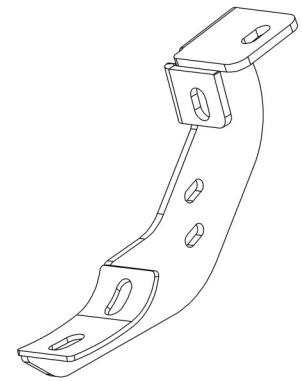
**ANTI-SEIZE LUBRICANT MUST BE USED ON ALL STAINLESS STEEL FASTENERS TO PREVENT THREAD DAMAGE AND GALLING**

ITEM 1





ITEM 3 (DRIVER SIDE)



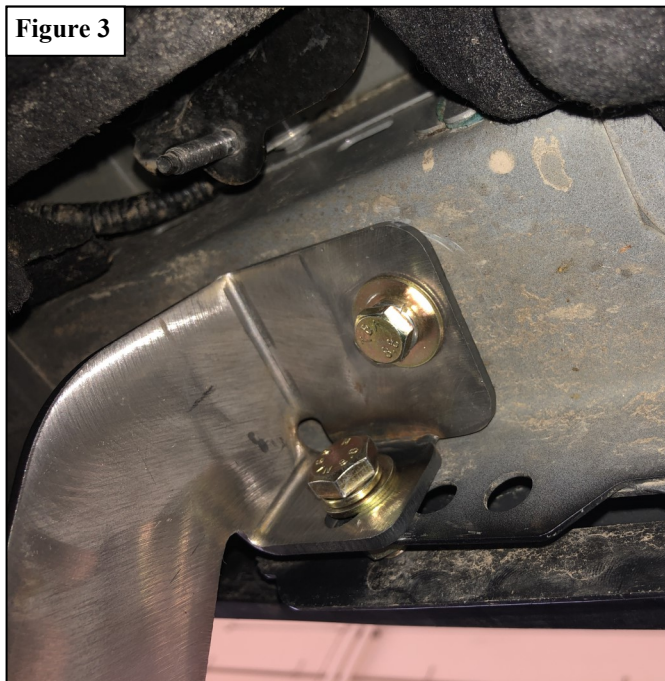
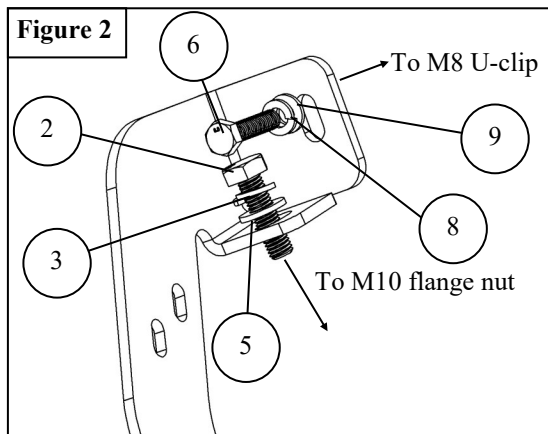
ITEM 4 (PASSENGER SIDE)

### PROCEDURE

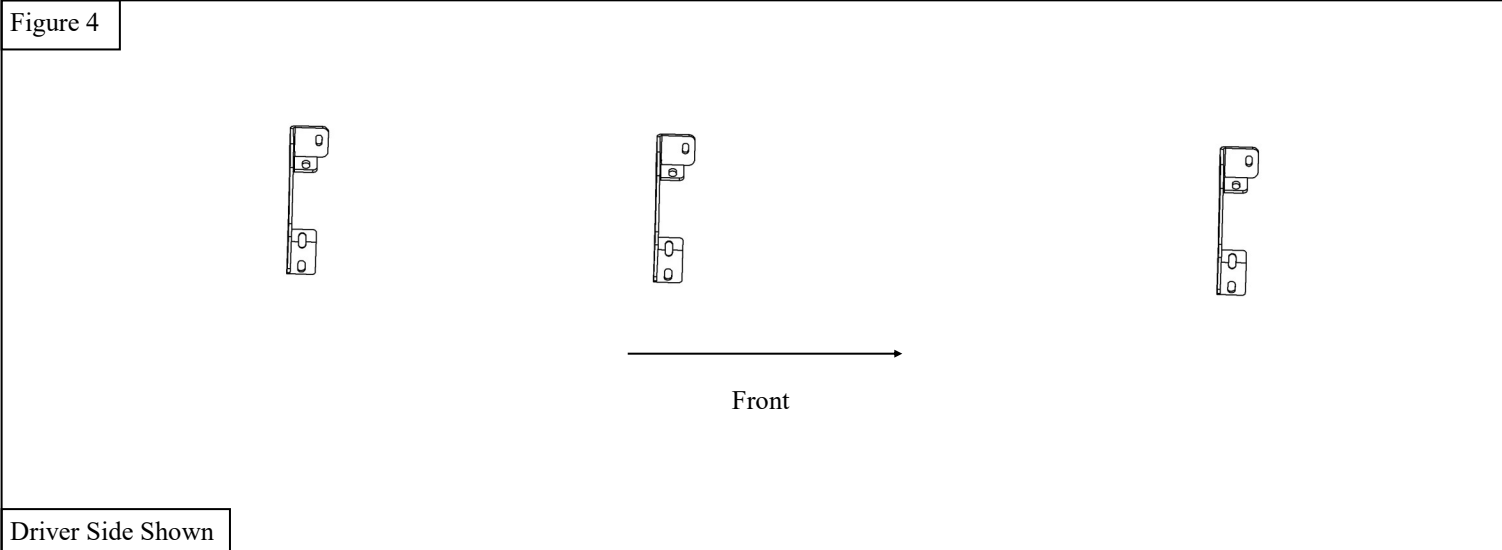
1. Remove contents from box, verify if all parts listed are present and free from damage. Carefully read and understand all instructions before attempting installation. **Failure to identify damage before installation could lead to a rejection of any claim.**
2. Locate the rocker panel underneath the driver side of the vehicle. At each bracket location, install a M8 U-clip on the top side, and a M10 Serrated flange nut on the front side of the rocker panel (farthest hole back). *Note: The nut will squeeze in between two pieces of sheet metal. See Figure 1.*



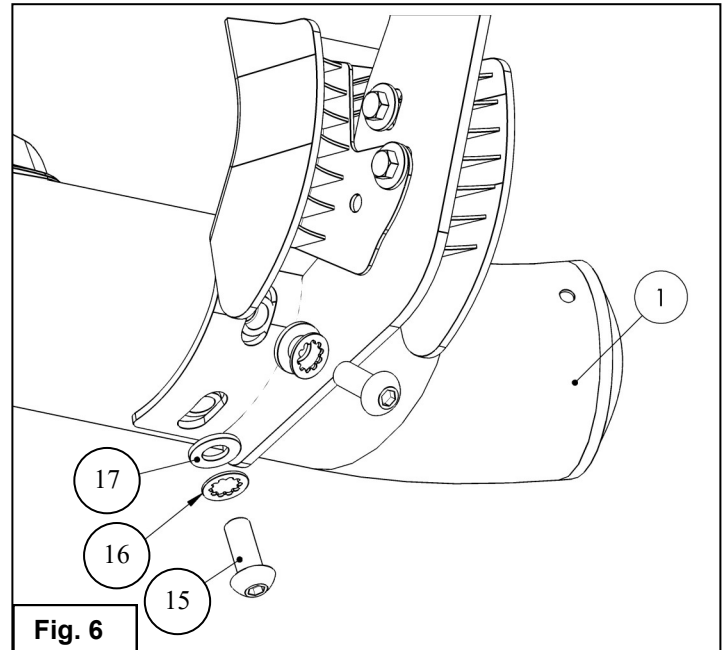
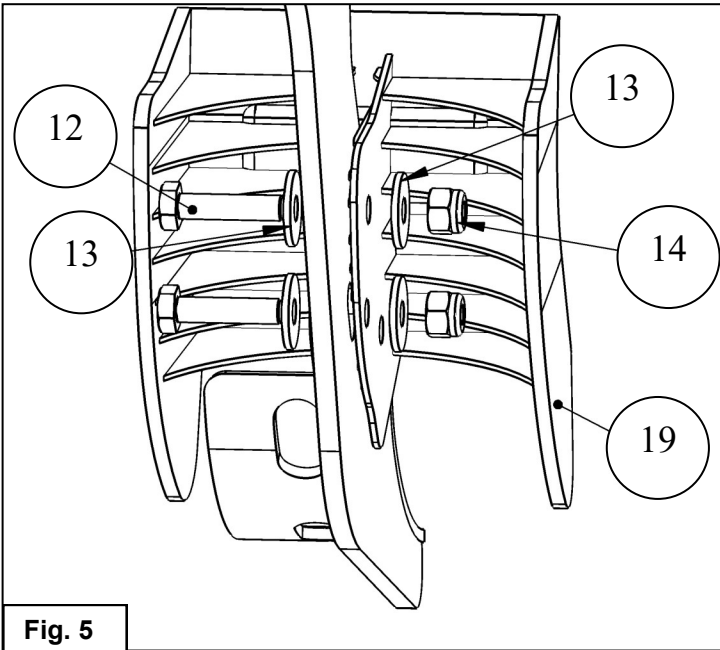
3. Locate 3 Driver Side Mounting Brackets (item 3). At each location, using M8 and M10 hardware, loosely assemble the brackets to the rocker panel. See **Figures 2 and 3**.



4. Ensure the brackets are mounted as shown in **Figure 4**.



5. Use the supplied M6 Hardware to attach the Bracket Covers to the Mounting Brackets. See **Figure 5**.
6. Use the supplied Black M10 Hardware to attach the Step Bars to the Mounting Brackets. See **Figure 6**.
7. Repeat **Steps 2-6** on the passenger side of the vehicle using the Passenger Side Mounting Brackets (item 4).
8. Tighten all hardware as specified: M6 to 7 ft-lbs, M10 to 38 ft-lbs.



**INSTALLATION COMPLETE**



**CARE INSTRUCTIONS**

- REGULAR WAXING IS RECOMMENDED. DO NOT USE ANY TYPE OF POLISH OR WAX THAT MAY CONTAIN ABRASIVES.
- STAINLESS STEEL PRODUCTS CAN BE CLEANED WITH MILD SOAP AND WATER. STAINLESS STEEL POLISH SHOULD BE USED TO POLISH SMALL SCRATCHES.
- GLOSS BLACK FINISHES SHOULD BE CLEANED WITH MILD SOAP AND WATER.

