

# INSTALLATION INSTRUCTIONS

## PRO TRAXX 5 HITCH STEP

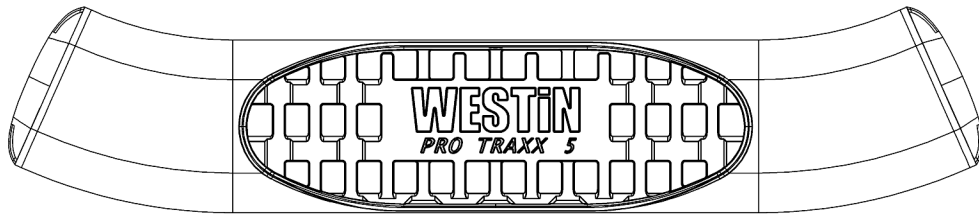
# WESTiN®

**APPLICATION:**  
Universal Fit on all 2" Receivers  
**PART NUMBER:**  
21-50010, 21-50015

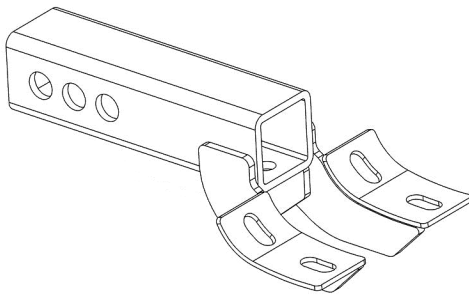
CONTENT			
ITEM	QUANTITY	DESCRIPTION	TOOLS NEEDED
1	1	STEP BAR	17MM SOCKET
2	1	HITCH BRACKET	19MM SOCKET
3	1	ANTI-RATTLE BRACKET	6MM ALLEN
4	1	M10 HEX HEAD BOLT (YELLOW ZINC)	RATCHET
5	1	M10 SPLIT LOCK WASHER (YELLOW ZINC)	TORQUE WRENCH
6	1	M10 FLAT WASHER (YELLOW ZINC)	
7	1	M12 HEX HEAD BOLT (BLACK ZINC)	
8	4	M10 BUTTON HEAD BOLT (BLACK ZINC)	
9	4	M10 TOOTH LOCK WASHER (BLACK ZINC)	
10	4	M10 FLAT WASHER (BLACK ZINC)	

**ANTI-SEIZE LUBRICANT MUST BE USED ON ALL STAINLESS STEEL FASTENERS TO PREVENT THREAD DAMAGE AND GALLING**

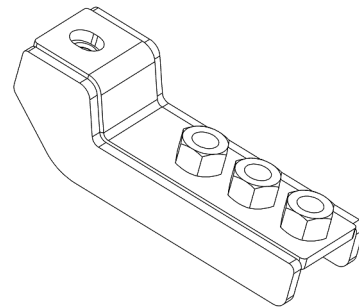
ITEM 1



ITEM 2



ITEM 3

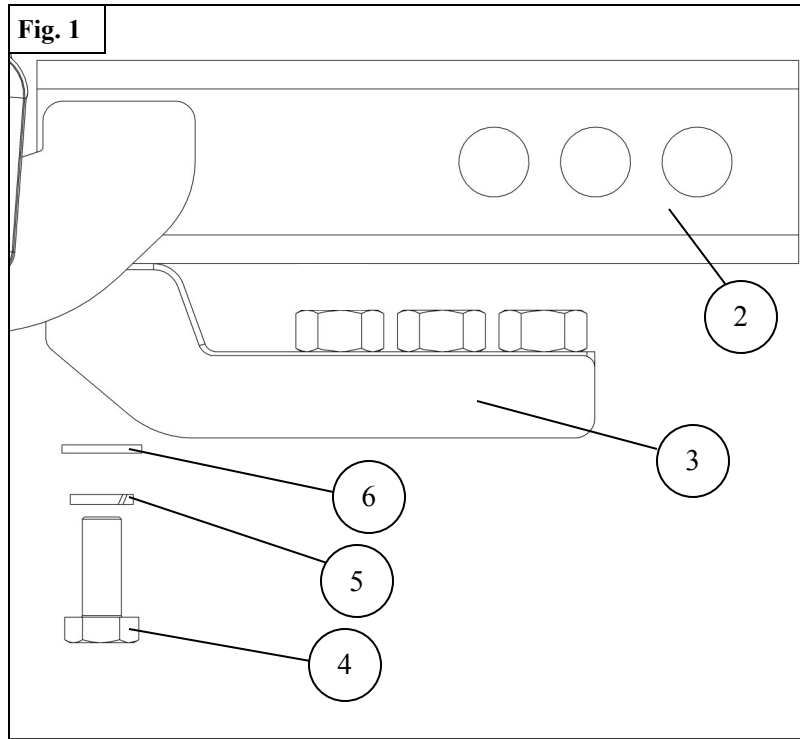


### PROCEDURE

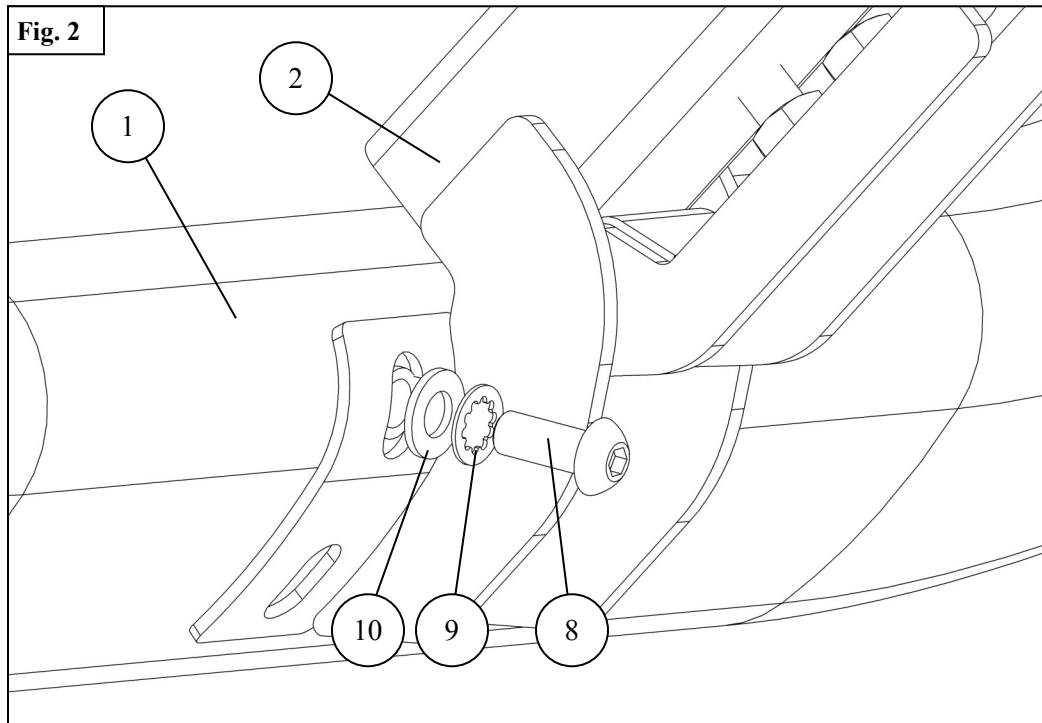
1. Remove contents from box, verify if all parts listed are present and free from damage.  
Carefully read and understand all instructions before attempting installation.  
**Failure to identify damage before installation could lead to a rejection of any claim.**

# WESTiN

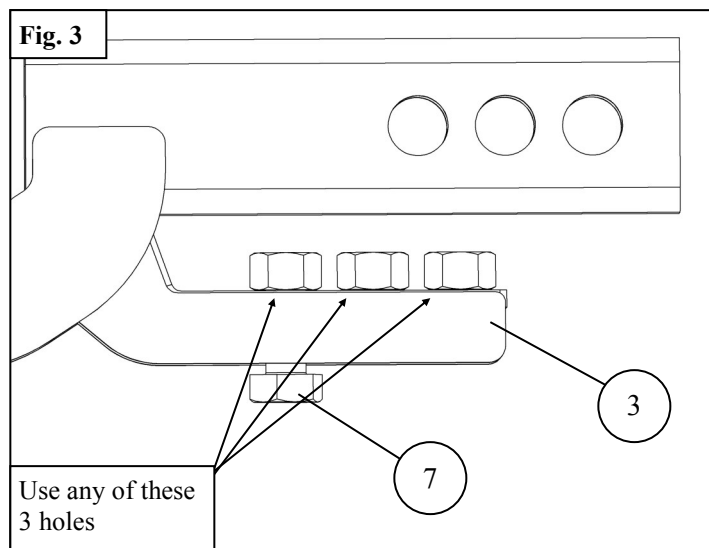
2. Loosely assemble the Anti-Rattle Bracket (3) to the main bracket (2) using the supplied M10 hardware. See Figure 1.



3. Slide the bracket assembly into the receiver hitch of your vehicle. Secure bracket using the receiver pin (not included).  
*Note: Secure the bracket assembly as far in the hitch as possible. Three sets of holes have been provided for adjustment.*
4. Loosely assemble the step bar (1) and the hitch bracket (2) using the supplied M10 Hardware. See Figure 2.  
*Note: Four (4) M10 button head bolts, four (4) M10 tooth lock washers, and four (4) M10 flat washers are required for this step.*



5. Adjust the step bar and bracket as needed and torque down all installed hardware: M10 to 40 ft-lbs.
6. Install the M12 bolt into one of the three holes on the Anti-Rattle bracket. Use the best hole for your application. Tighten the M12 bolt until the step bar (1) and hitch bracket (2) are adequately secure. **See Figure 3.**



INSTALLATION COMPLETE



#### CARE INSTRUCTIONS

- REGULAR WAXING IS RECOMMENDED. DO NOT USE ANY TYPE OF POLISH OR WAX THAT MAY CONTAIN ABRASIVES.
- STAINLESS STEEL PRODUCTS CAN BE CLEANED WITH MILD SOAP AND WATER. STAINLESS STEEL POLISH SHOULD BE USED TO POLISH SMALL SCRATCHES.
- GLOSS BLACK FINISHES SHOULD BE CLEANED WITH MILD SOAP AND WATER.

**WESTIN**



## WARNING



Failure to follow these instructions could lead to death, personal injury, and / or property damage.

Failure to follow these instructions could lead to death, personal injury, and / or property damage.

### FASTENERS:

All Westin supplied fasteners must be utilized and installed in accordance with the installation instructions and apply torque to the specifications as defined. **DOUBLE CHECK ALL FASTENERS BEFORE INITIAL USE, AND PERIODICALLY IN THE FUTURE TO ENSURE PROPER FUNCTION AND SAFETY.**

### DRILLING:

Most Westin products do not require drilling for installation. If drilling is defined as required, use caution when drilling a vehicle. **FAILURE TO REVIEW AN AREA TO BE DRILLED MAY RESULT IN PERSONAL INJURY AND/OR INJURY TO OTHERS AS WELL AS VEHICLE DAMAGE.**

### EYE PROTECTION:

**ALWAYS WEAR SAFETY GLASSES OR GOGGLES DURING THE INSTALLATION PROCESS TO AVOID PERSONAL INJURY.**

### MAXIMUM TOWING/CARRYING CAPACITY: (if applicable)

The Westin Receiver Hitches will have a visible tow rating label affixed directly on the product. User should never exceed the vehicle manufacturers maximum tow and weight rating regardless of the capacity of the hitch. **FAILURE TO FOLLOW THESE GUIDELINES WILL VOID THE WESTIN WARRANTY AND MAY RESULT IN PERSONAL INJURY AND/OR INJURY TO OTHERS AS WELL AS VEHICLE DAMAGE.**

### FOR CALIFORNIA RESIDENTS ONLY-PROP 65 WARNING:

Some products may contain chemicals such as DEHP, which can cause cancer, birth defects or other reproductive harm.

