

# INSTALLATION INSTRUCTIONS

## PLATINUM OVAL & E-SERIES STEP BARS



### APPLICATION:

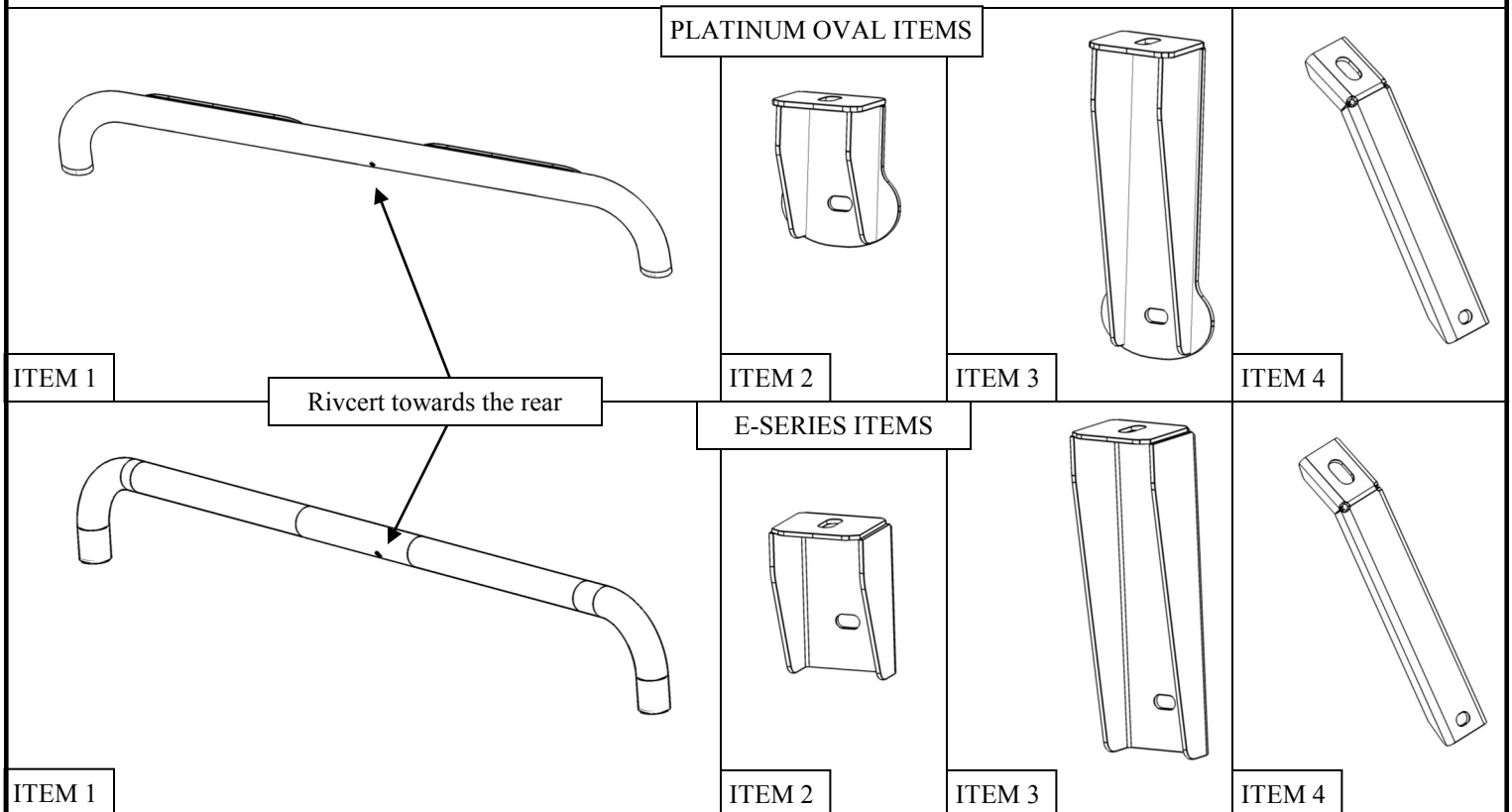
2019 Chevy Silverado/GMC Sierra 1500 Crew Cab

### PART NUMBER:

21-4130, 21-4135, 23-4130, 23-4135

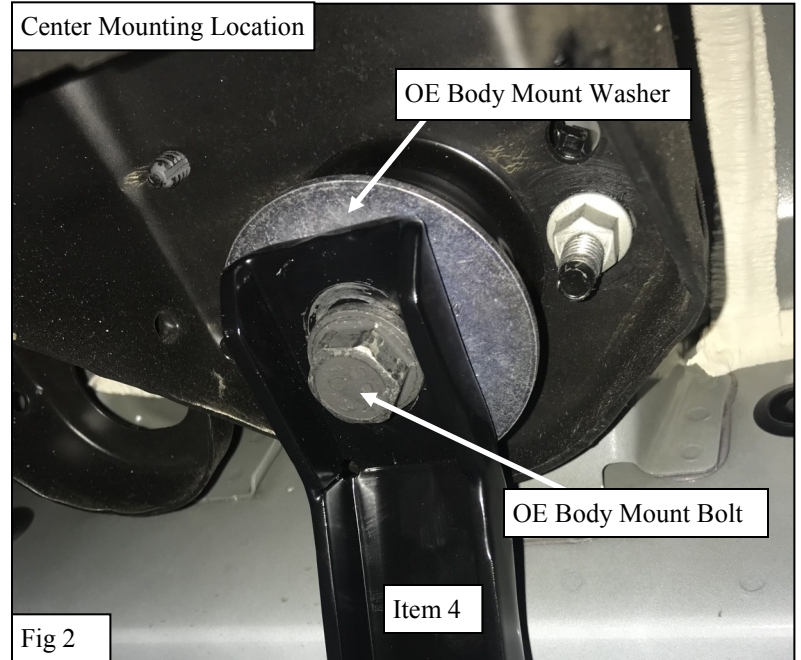
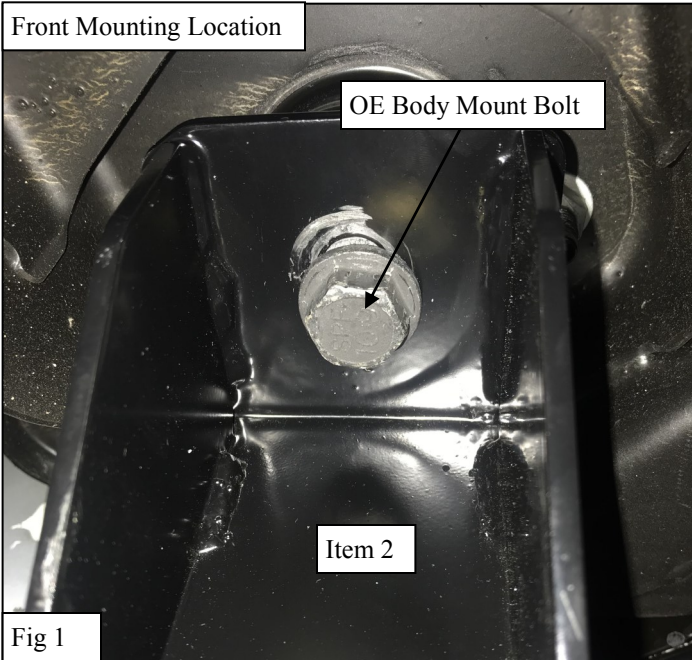
CONTENT			
ITEM	QUANTITY	DESCRIPTION	TOOLS NEEDED
1	2	STEP BAR ASSEMBLY (1 DRIVER, 1 PASSENGER)	16MM SOCKET
2	2	FRONT MOUNTING BRACKET	16MM WRENCH
3	2	REAR MOUNTING BRACKET	3/4" SOCKET
4	2	CENTER BRACKET	3/4" WRENCH
5	4	1/2" HEX HEAD CAP SCREW (YELLOW ZINC)	RATCHET
6	4	1/2" FLAT WASHER (YELLOW ZINC)	TORQUE WRENCH
7	4	1/2" SPLIT LOCK WASHER (YELLOW ZINC)	21MM SOCKET
8	4	M10 BUTTON HEAD CAP SCREW (BLACK STAINLESS)	ALLEN WRENCH
9	4	M10 FLAT WASHER (BLACK STAINLESS)	
10	4	M10 TOOTHED LOCK WASHER (BLACK STAINLESS)	

**ANTI-SEIZE LUBRICANT MUST BE USED ON ALL STAINLESS STEEL FASTENERS TO PREVENT THREAD DAMAGE AND GALLING**

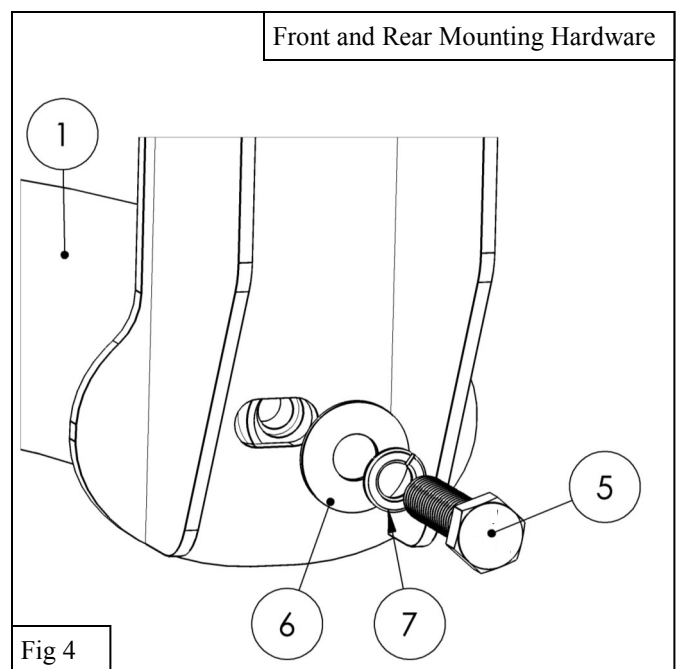
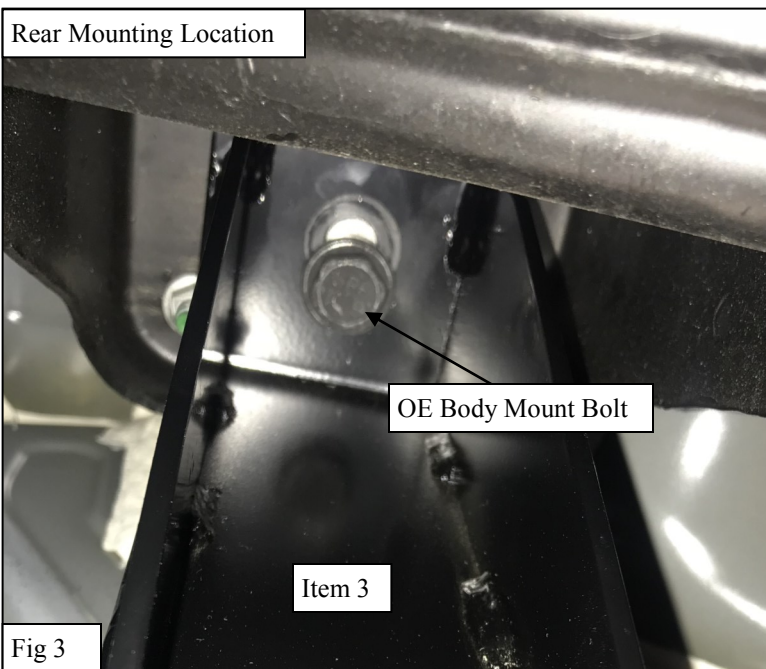


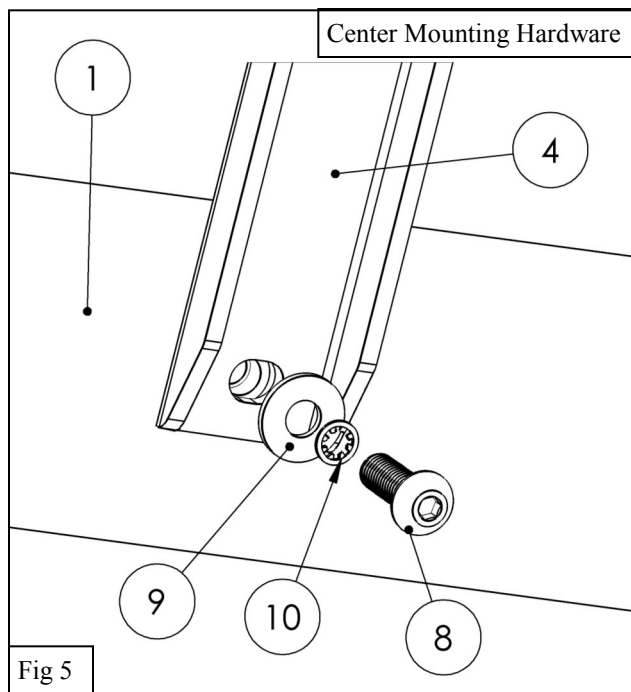
## PROCEDURE

1. Remove contents from box, verify if all parts listed are present and free from damage. Carefully read and understand all instructions before attempting installation.  
**Failure to identify damage before installation could lead to a rejection of any claim.**
2. Begin by loosely installing the Mounting Brackets (2-4). Do so by removing the body mount bolt at each location and then installing the brackets as shown. **Note: WHEN INSTALLING BRACKETS, THE OE BODY MOUNT WASHER MUST BE REINSTALLED IN THE SAME LOCATION: IMMEDIATELY AFTER THE BODY MOUNT. The order will be body mount, washer, bracket (2-4), OE body mount bolt.** See Figures 1-3.



3. Install the Step Bar (1) to the brackets using the supplied 1/2" and M10 Hardware. See **Figures 4 & 5**. *Note: Platinum Oval Shown; E-Series similar.*





4. Adjust the installed step bar as desired and torque all hardware: 1/2" to 50-55 ft-lbs, M10 to 25-30 ft-lbs, and OE Body Mount Bolts to 120 ft-lbs.



#### CARE INSTRUCTIONS

- REGULAR WAXING IS RECOMMENDED. DO NOT USE ANY TYPE OF POLISH OR WAX THAT MAY CONTAIN ABRASIVES
- STAINLESS STEEL PRODUCTS CAN BE CLEANED WITH MILD SOAP AND WATER. STAINLESS STEEL POLISH SHOULD BE USED TO POLISH SMALL SCRATCHES.
- GLOSS BLACK FINISHES SHOULD BE CLEANED WITH MILD SOAP AND WATER



## WARNING



Failure to follow these instructions could lead to death, personal injury, and / or property damage.

Failure to follow these instructions could lead to death, personal injury, and / or property damage.

### FASTENERS:

All Westin supplied fasteners must be utilized and installed in accordance with the installation instructions and apply torque to the specifications as defined. **DOUBLE CHECK ALL FASTENERS BEFORE INITIAL USE, AND PERIODICALLY IN THE FUTURE TO ENSURE PROPER FUNCTION AND SAFETY.**

### DRILLING:

Most Westin products do not require drilling for installation. If drilling is defined as required, use caution when drilling a vehicle. **FAILURE TO REVIEW AN AREA TO BE DRILLED MAY RESULT IN PERSONAL INJURY AND/OR INJURY TO OTHERS AS WELL AS VEHICLE DAMAGE.**

### EYE PROTECTION:

**ALWAYS WEAR SAFETY GLASSES OR GOGGLES DURING THE INSTALLATION PROCESS TO AVOID PERSONAL INJURY.**

### MAXIMUM TOWING/CARRYING CAPACITY: (if applicable)

The Westin Receiver Hitches will have a visible tow rating label affixed directly on the product. User should never exceed the vehicle manufacturers maximum tow and weight rating regardless of the capacity of the hitch. **FAILURE TO FOLLOW THESE GUIDELINES WILL VOID THE WESTIN WARRANTY AND MAY RESULT IN PERSONAL INJURY AND/OR INJURY TO OTHERS AS WELL AS VEHICLE DAMAGE.**