

# INSTALLATION INSTRUCTIONS

## PRO TRAXX 4 NERF STEP BARS



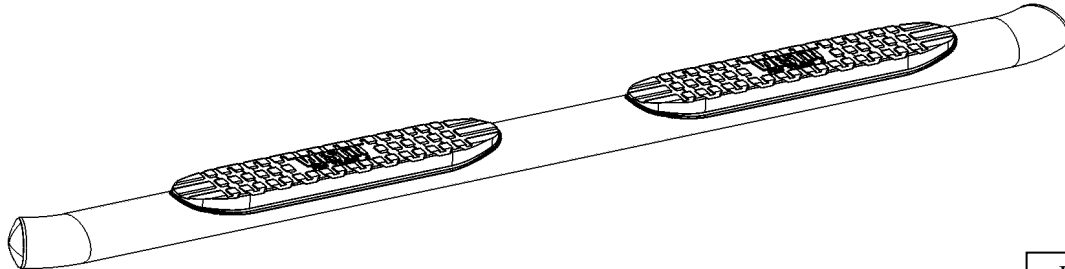
**APPLICATION:**  
2022 Nissan Frontier Crew Cab  
**PART NUMBER:**  
21-24210  
21-24215

### CONTENT

ITEM	QUANTITY	DESCRIPTION	TOOLS NEEDED
1	2	PRO TRAXX STEP BAR ASSEMBLY (1 DRIVER, 1 PASSENGER)	10MM SOCKET
2	2	DRIVER SIDE MOUNTING BRACKET	10MM WRENCH
3	2	PASSENGER SIDE MOUNTING BRACKET	13MM SOCKET
4	1	REAR DRIVER MOUNTING BRACKET	13MM WRENCH
5	1	REAR PASSENGER MOUNTING BRACKET	RATCHET
6	6	BRACKET COVER	TORQUE WRENCH
7	12	M6 HEX HEAD BOLT	ALLEN WRENCH
8	24	M6 FLAT WASHER	
9	12	M6 NYLON HEX NUT	
10	12	M8 SERRATED FLANGE HEX NUT	
11	12	M10 BUTTON HEAD HEX SOCKET BOLT	
12	12	M10 INTERNAL TOOTHED LOCK WASHER	
13	12	M10 FLAT WASHER	

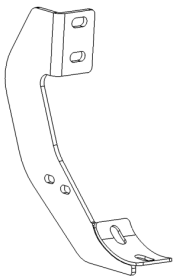
**ANTI-SEIZE LUBRICANT MUST BE USED ON ALL STAINLESS STEEL FASTENERS TO PREVENT THREAD DAMAGE AND GALLING**

ITEM 1

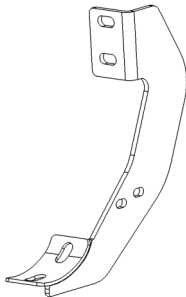


Driver Side Shown

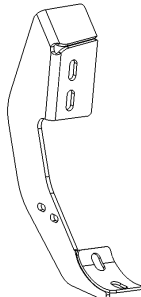
ITEM 2



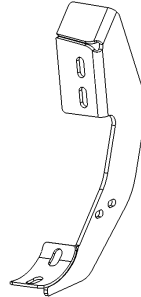
ITEM 3



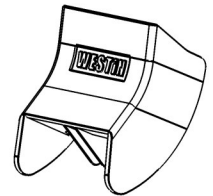
ITEM 4



ITEM 5

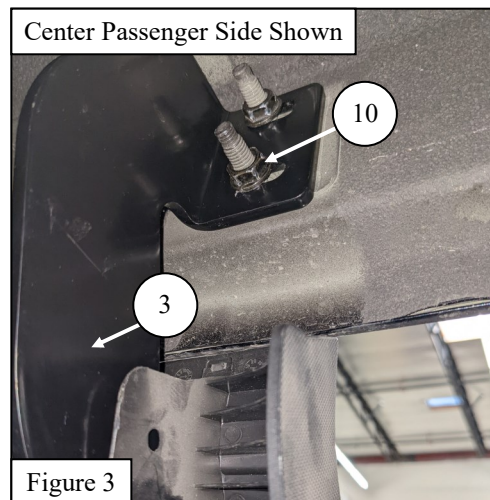
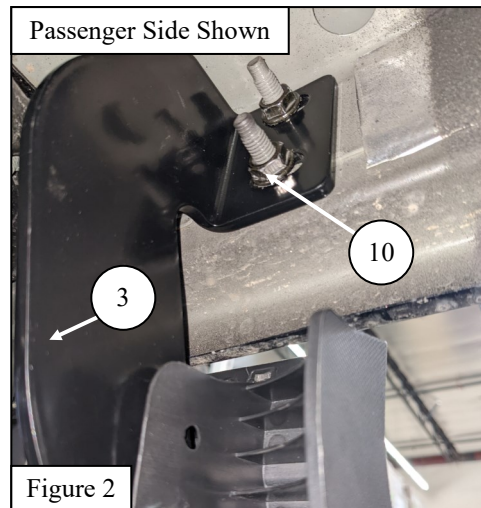
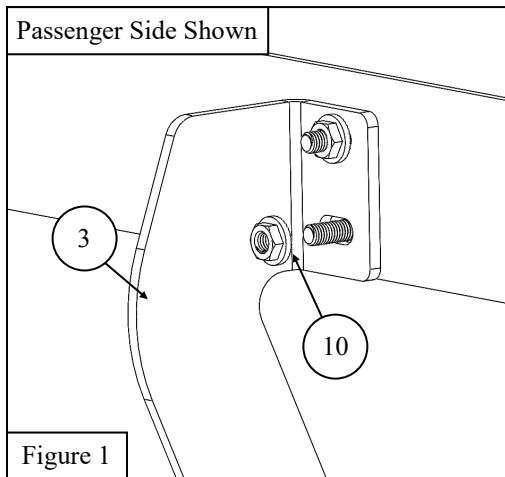


ITEM 6

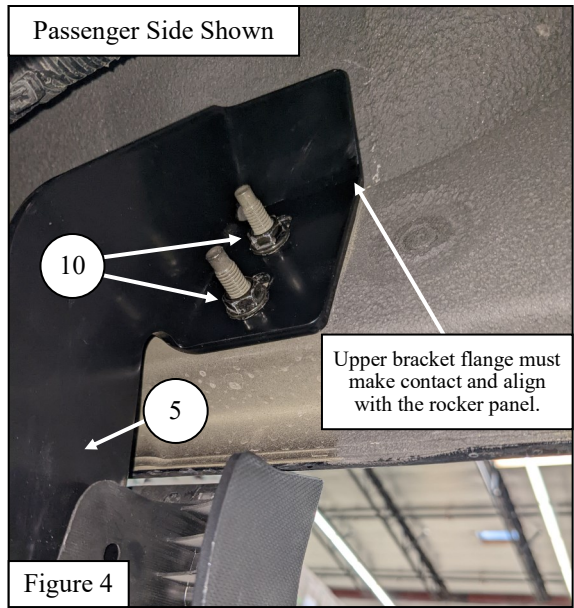


## PROCEDURE

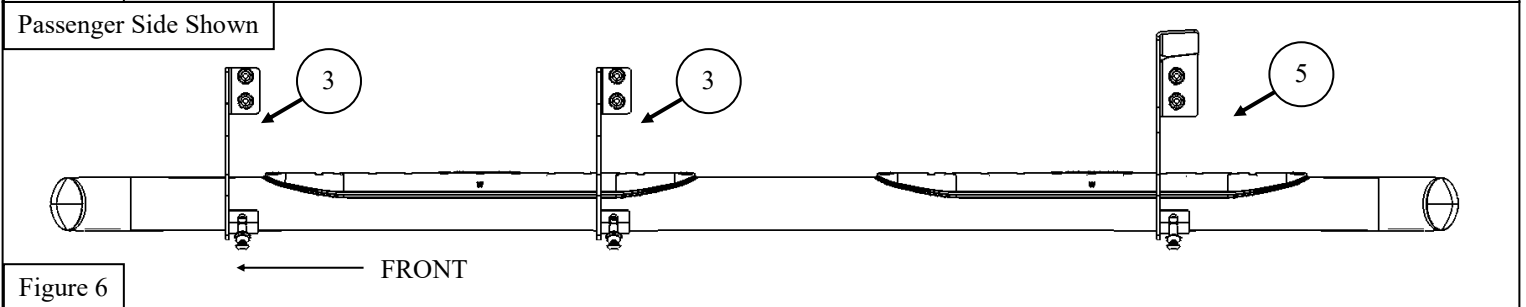
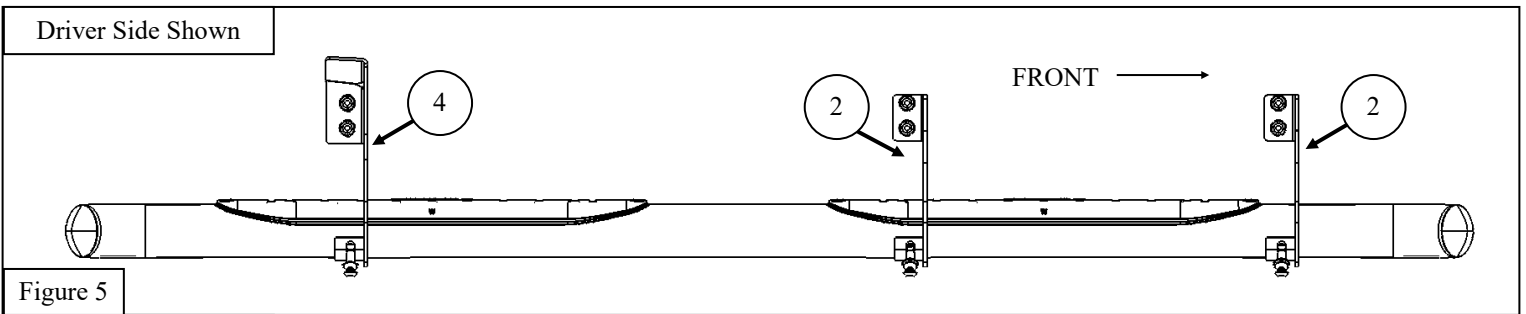
1. Remove contents from box, verify if all parts listed are present and free from damage. Carefully read and understand all instructions before attempting installation.  
**Failure to identify damage before installation could lead to a rejection of any claim.**
2. Locate the mount locations on the rocker panel of the vehicle.
3. Locate (1) Passenger Side Mounting Bracket (item 3) and loosely secure it to the rocker panel using the provided M8 Serrated Flange Nuts (item 10). See **Figures 1 and 2**.
4. Repeat **Step 3** for the center mounting location. See **Figure 3** for reference.

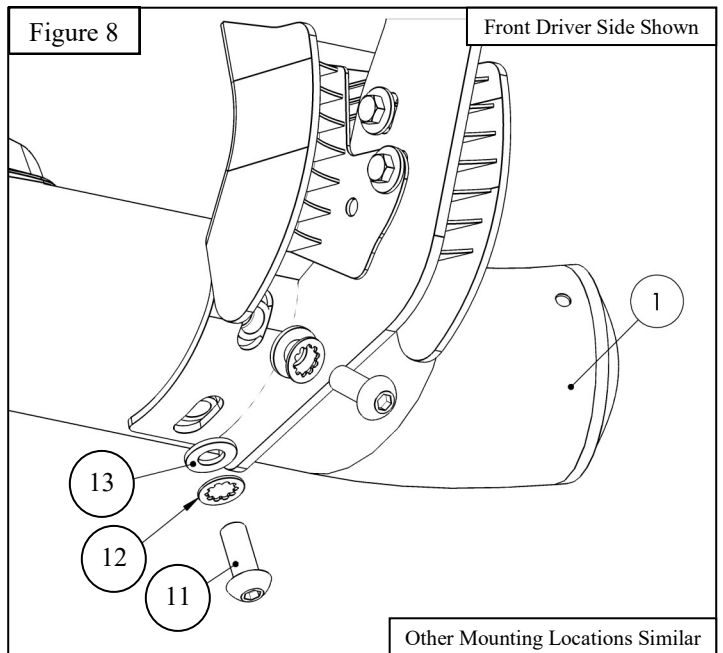
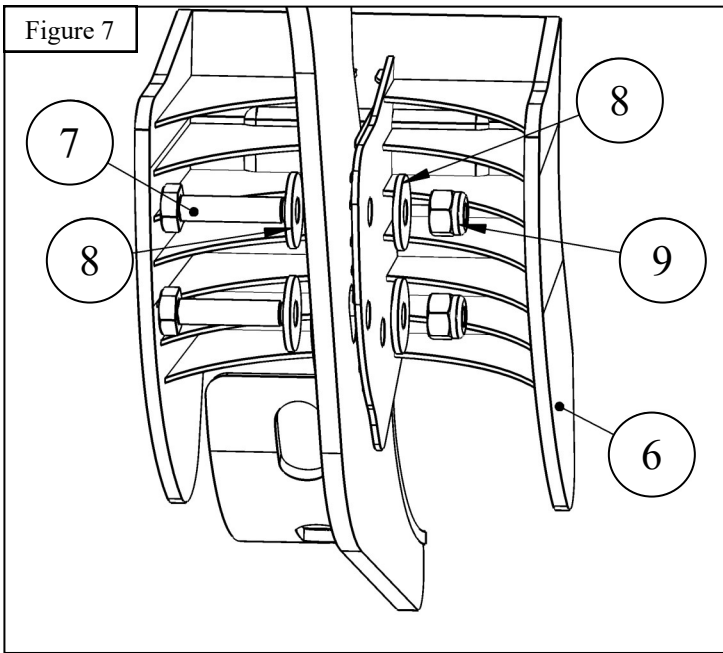


5. Locate the Rear Passenger Mounting Bracket (item 5) and loosely secure it to the rocker panel using the provided M8 Serrated Flange Nuts (item 10). See **Figure 4** for reference. **Note:** When securing the rear mounting brackets, make sure the upper flange makes contact with the rocker panel in order to provide adequate support.



6. Repeat the previous steps for the driver side of the vehicle. **Note:** See **Figures 5 & 6** for the correct bracket orientations.
7. Use the supplied M6 Hardware (items 7-9) to attach the Bracket Covers (item 6) to the Mounting Brackets. See **Figure 7**.
8. Locate the passenger Pro Traxx 4 Step Bars (Item 1) and secure it to the mounting brackets using the supplied M10 hardware (items 11-13). See **Figure 8**.
9. Align and adjust the Pro Traxx 4 Step Bars and mounting brackets as needed. Tighten and torque the hardware as specified: M6 hardware to 7-9 ft-lbs, M8 hardware to 15-18 ft-lbs, M10 hardware to 25-28 ft-lbs.





**INSTALLATION COMPLETE**



**CARE INSTRUCTIONS**

- REGULAR WAXING IS RECOMMENDED. DO NOT USE ANY TYPE OF POLISH OR WAX THAT MAY CONTAIN ABRASIVES.
- STAINLESS STEEL PRODUCTS CAN BE CLEANED WITH MILD SOAP AND WATER. STAINLESS STEEL POLISH SHOULD BE USED TO POLISH SMALL SCRATCHES.
- GLOSS BLACK FINISHES SHOULD BE CLEANED WITH MILD SOAP AND WATER.

**WESTIN** Westin Automotive Products, Inc.  
320 W. Covina Blvd  
San Dimas, Ca. 91773

Thank you for choosing Westin products  
for additional installation assistance please call  
Customer Service (800) 793-7846

[www.westinautomotive.com](http://www.westinautomotive.com)

DATE: 3/28/2022



## WARNING



Failure to follow these instructions could lead to death, personal injury, and / or property damage.

Failure to follow these instructions could lead to death, personal injury, and / or property damage.

### FASTENERS:

All Westin supplied fasteners must be utilized and installed in accordance with the installation instructions and apply torque to the specifications as defined. **DOUBLE CHECK ALL FASTENERS BEFORE INITIAL USE, AND PERIODICALLY IN THE FUTURE TO ENSURE PROPER FUNCTION AND SAFETY.**

### DRILLING:

Most Westin products do not require drilling for installation. If drilling is defined as required, use caution when drilling a vehicle. **FAILURE TO REVIEW AN AREA TO BE DRILLED MAY RESULT IN PERSONAL INJURY AND/OR INJURY TO OTHERS AS WELL AS VEHICLE DAMAGE.**

### EYE PROTECTION:

**ALWAYS WEAR SAFETY GLASSES OR GOGGLES DURING THE INSTALLATION PROCESS TO AVOID PERSONAL INJURY.**

### MAXIMUM TOWING/CARRYING CAPACITY: (if applicable)

The Westin Receiver Hitches will have a visible tow rating label affixed directly on the product. User should never exceed the vehicle manufacturers maximum tow and weight rating regardless of the capacity of the hitch. **FAILURE TO FOLLOW THESE GUIDELINES WILL VOID THE WESTIN WARRANTY AND MAY RESULT IN PERSONAL INJURY AND/OR INJURY TO OTHERS AS WELL AS VEHICLE DAMAGE.**

### FOR CALIFORNIA RESIDENTS ONLY-PROP 65 WARNING:

Some products may contain chemicals such as DEHP, which can cause cancer, birth defects or other reproductive harm. For more info go to [www.p65warnings.ca.gov](http://www.p65warnings.ca.gov)



Westin Automotive Products, Inc.  
320 W. Covina Blvd  
San Dimas, Ca. 91773