

# INSTALLATION INSTRUCTIONS

## PRO TRAXX 4 & 5 NERF STEP BARS



**APPLICATION:**

2019 Ford Ranger SuperCrew, 2019 Ford Ranger SuperCab

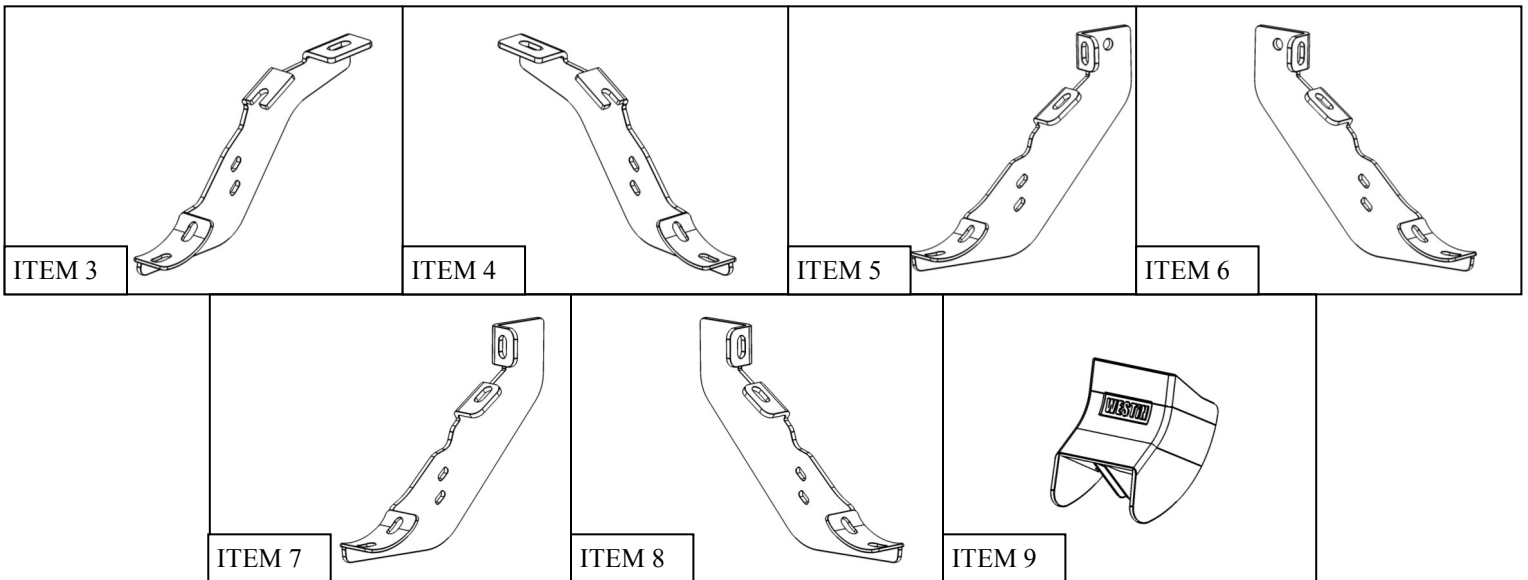
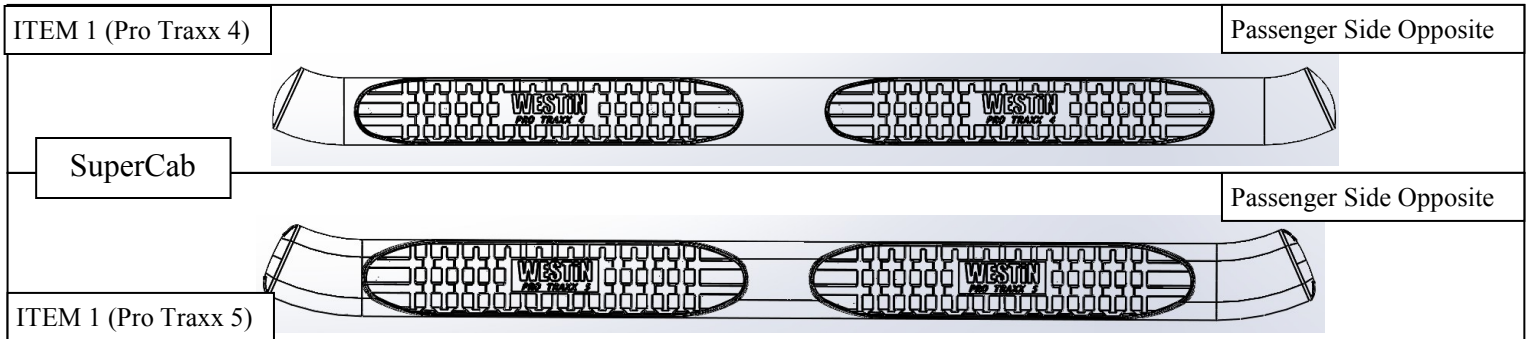
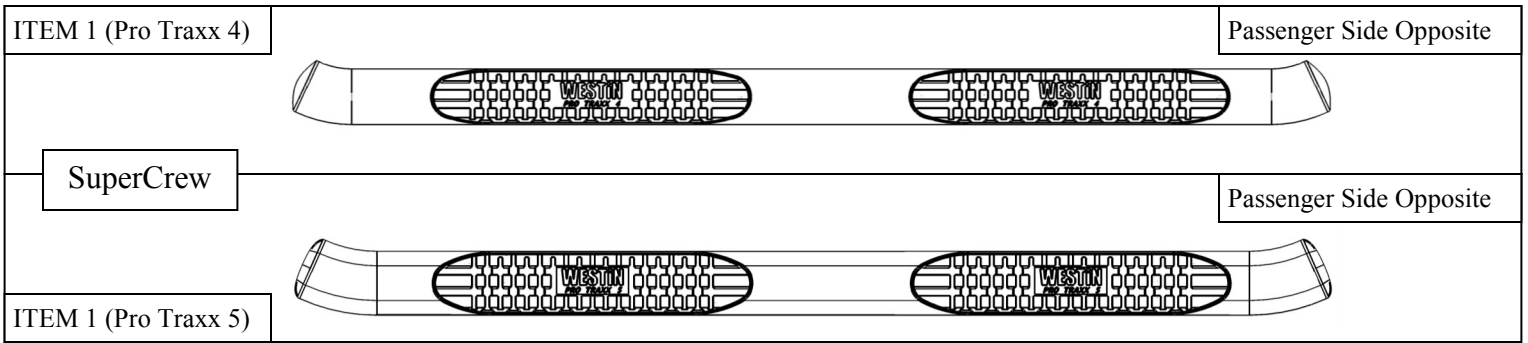
**PART NUMBER:**

21-24150, 21-24155, 21-54150, 21-54155, 21-24140, 21-24145, 21-54140, 21-54145

| <b>CONTENT</b> |                 |                                      |                     |
|----------------|-----------------|--------------------------------------|---------------------|
| <b>ITEM</b>    | <b>QUANTITY</b> | <b>DESCRIPTION</b>                   | <b>TOOLS NEEDED</b> |
| 1              | 1               | DRIVER STEP BAR                      | 10MM SOCKET         |
| 2              | 1               | PASSENGER STEP BAR                   | 10MM WRENCH         |
| 3              | 1               | DRIVER FRONT BRACKET                 | 16MM SOCKET         |
| 4              | 1               | PASSENGER FRONT BRACKET              | RATCHET             |
| 5              | 1               | DRIVER CENTER BRACKET                | TORQUE WRENCH       |
| 6              | 1               | PASSENGER CENTER BRACKET             |                     |
| 7              | 1               | DRIVER REAR BRACKET                  |                     |
| 8              | 1               | PASSENGER REAR BRACKET               |                     |
| 9              | 6               | BRACKET COVER                        |                     |
| 10             | 12              | M10 HEX HEAD CAP SCREW (YELLOW ZINC) |                     |
| 11             | 12              | M10 SPLIT LOCK WASHER (YELLOW ZINC)  |                     |
| 12             | 12              | M10 FLAT WASHER (YELLOW ZINC)        |                     |
| 13             | 12              | M10 BUTTON HEAD SCREW (BLACK ZINC)   |                     |
| 14             | 12              | M10 TOOTHED LOCK WASHER (BLACK ZINC) |                     |
| 15             | 12              | M10 FLAT WASHER (BLACK ZINC)         |                     |
| 16             | 12              | M6 HEX HEAD CAP SCREW (YELLOW ZINC)  |                     |
| 17             | 24              | M6 FLAT WASHER (YELLOW ZINC)         |                     |
| 18             | 12              | M6 NYLOCK NUT (YELLOW ZINC)          |                     |
| 19             | 1               | HEX KEY TOOL                         |                     |

**ANTI-SEIZE LUBRICANT MUST BE USED ON ALL STAINLESS STEEL FASTENERS TO PREVENT THREAD DAMAGE AND GALLING**

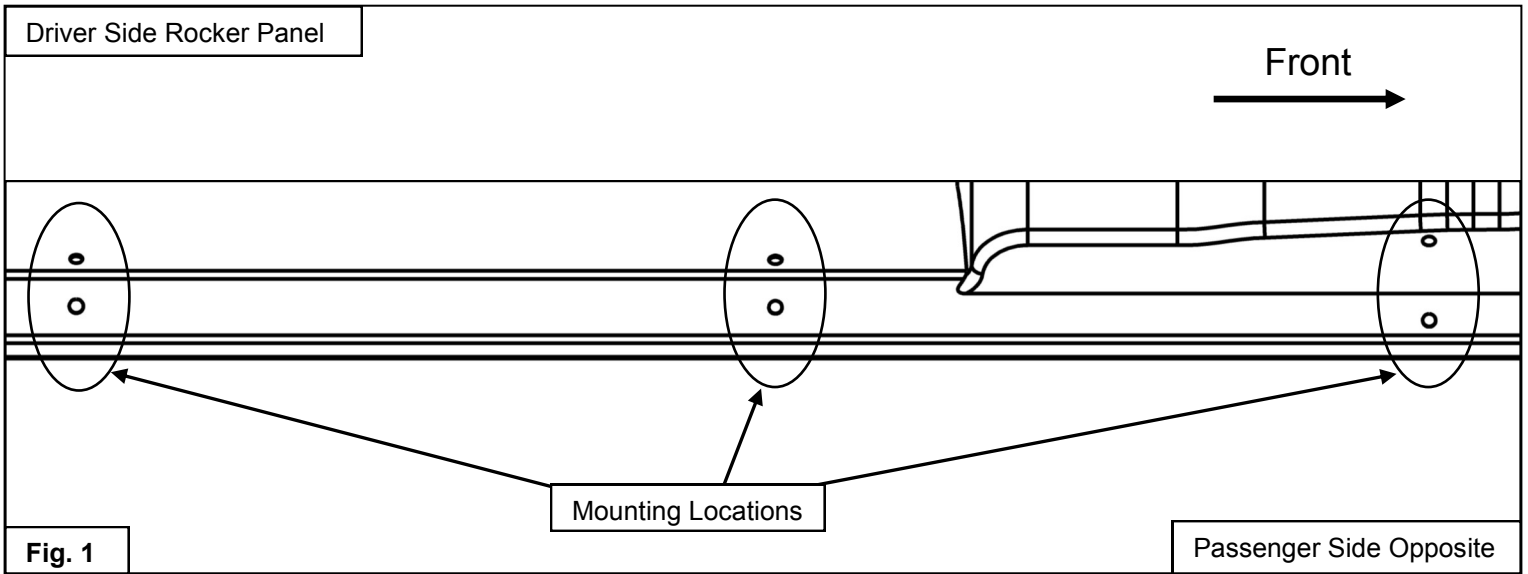




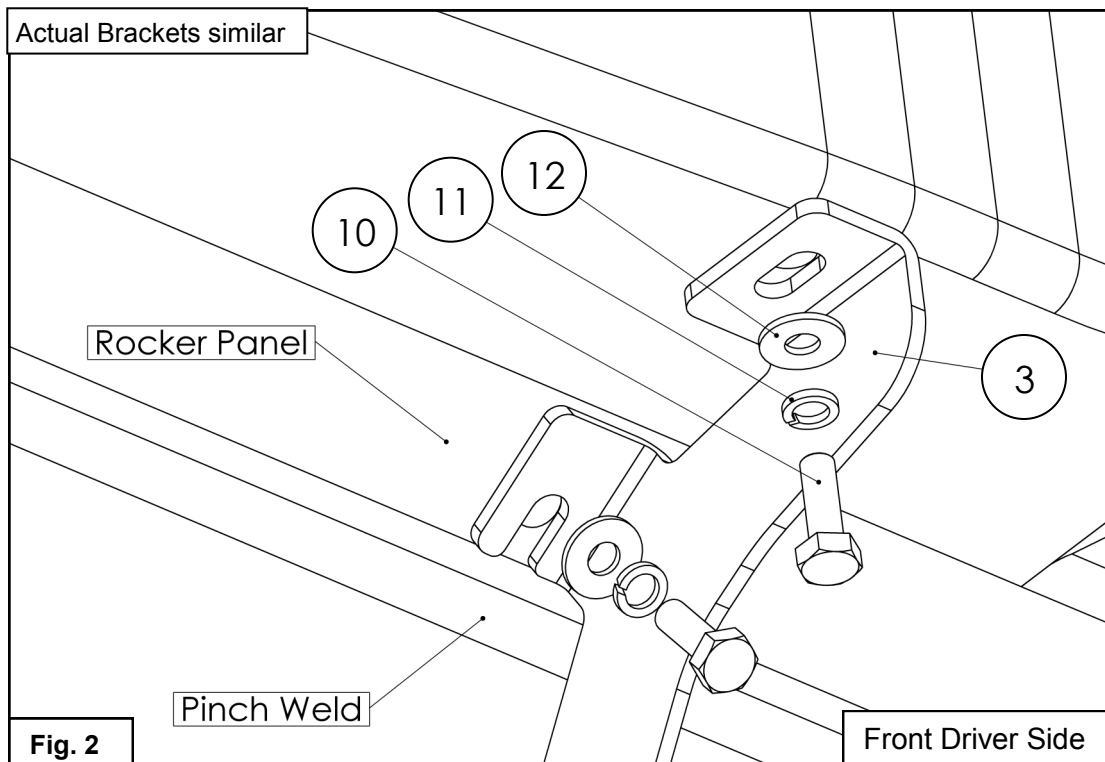
**PROCEDURE**

1. Remove contents from box, verify if all parts listed are present and free from damage.  
Carefully read and understand all instructions before attempting installation.  
**Failure to identify damage before installation could lead to a rejection of any claim.**

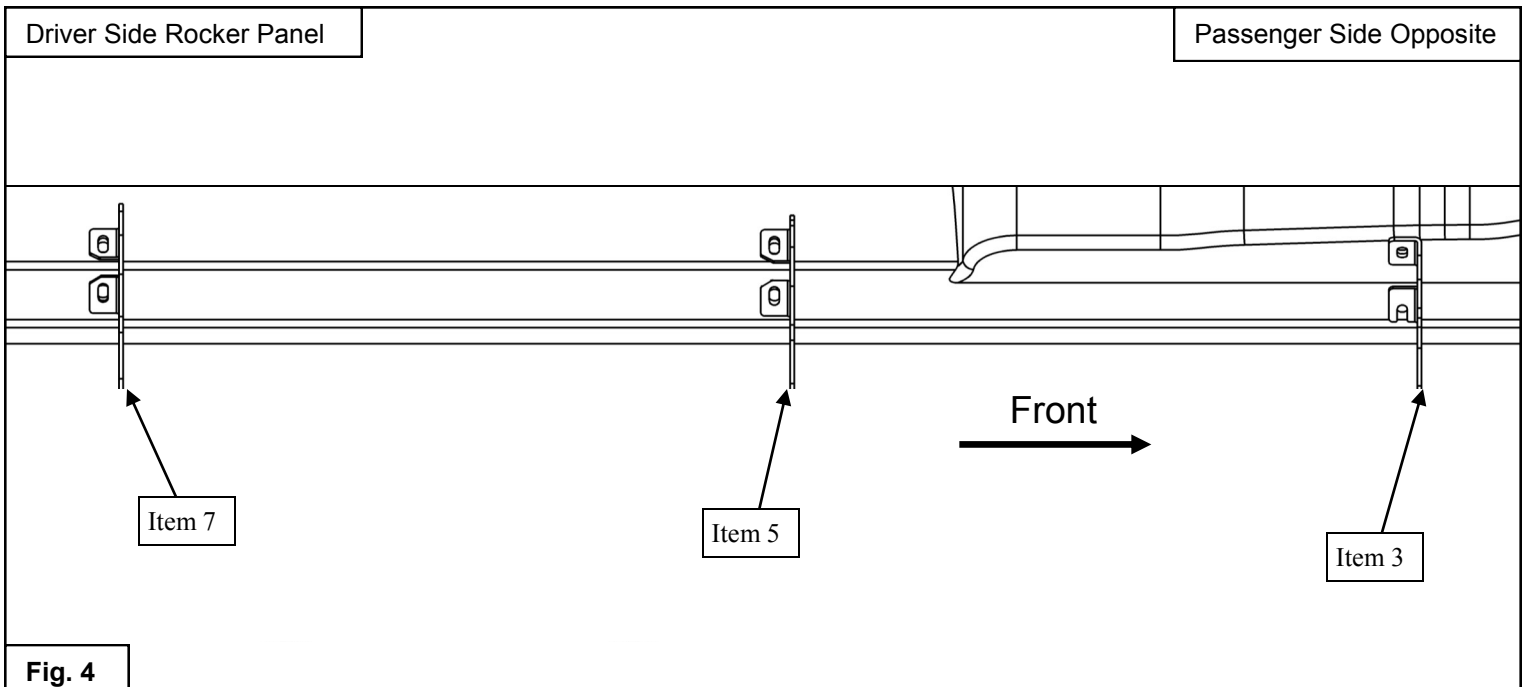
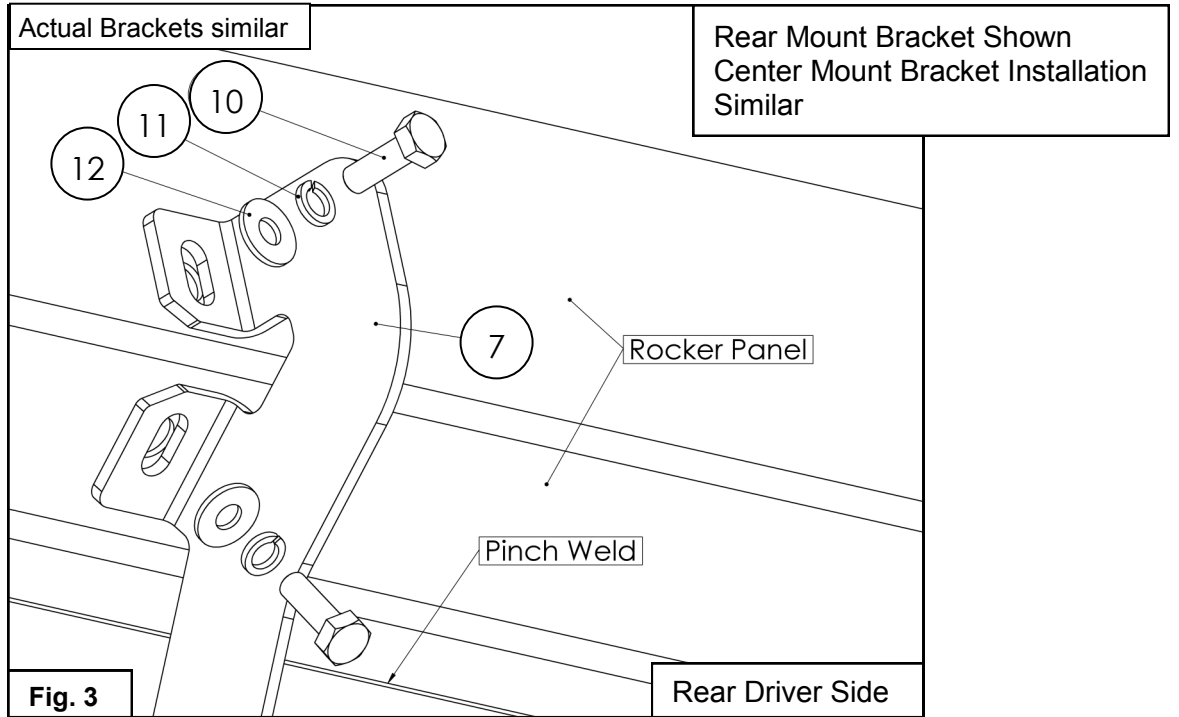
2. Beginning on the driver side of the vehicle, remove (2) M10 OEM bolts from each mounting location on the rocker panel. See **Figure 1**.



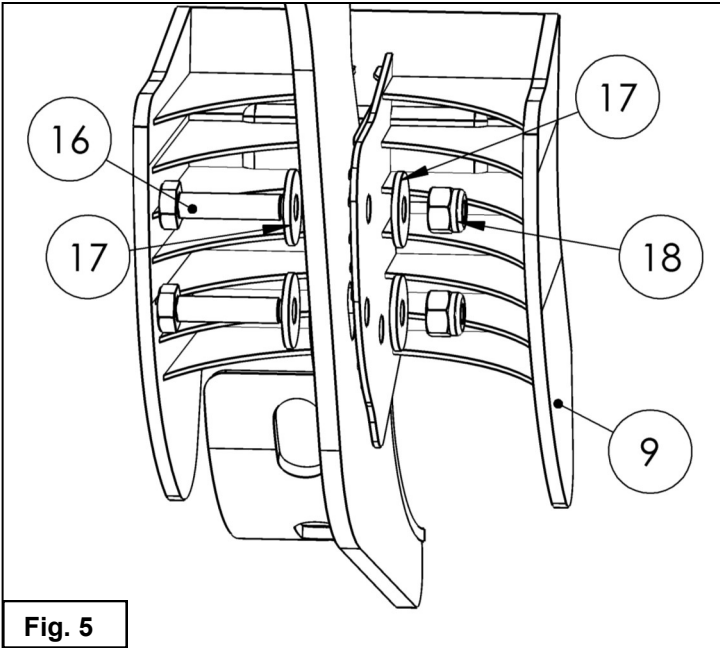
3. Loosely secure (1) Front Mount Bracket (item 3) to the rocker panel using the supplied M10 hardware. See **Figures 1 & 2**.



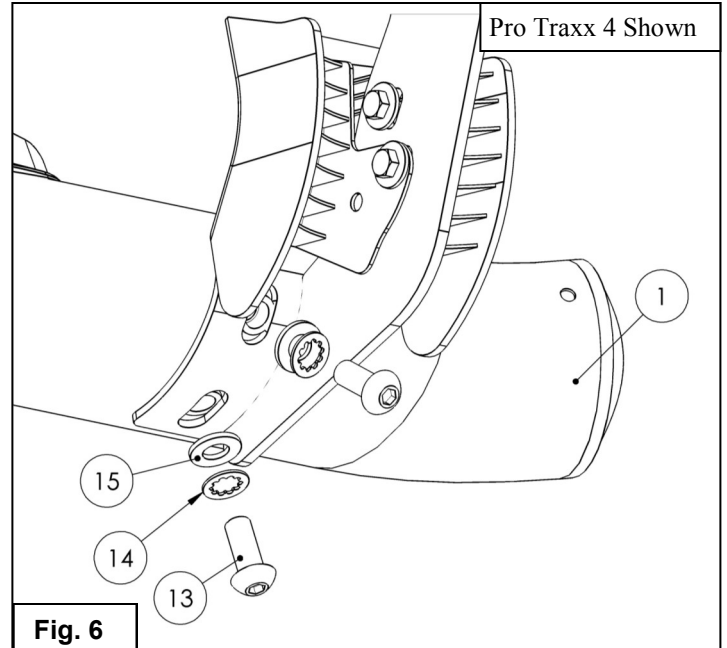
4. Loosely secure (1) Center Mount Bracket (item 5) and (1) Rear Mount Bracket (item 7) to the rocker panel using the supplied M10 hardware. See **Figures 3 & 4**.



5. Use the supplied M6 Hardware to attach the Bracket Covers (9) to the Mounting Brackets (3-8). See **Figure 5**.
6. Use the supplied Black M10 Hardware to attach the Step Bras (1,2) to the Mounting Brackets (3-8). See **Figure 6**.
7. Tighten all hardware as specified: M6 to 7 ft-lbs, M10 to 38 ft-lbs.



**Fig. 5**



**Fig. 6**

**INSTALLATION COMPLETE**



**Pro Traxx 5 Shown**

**CARE INSTRUCTIONS**

- REGULAR WAXING IS RECOMMENDED. DO NOT USE ANY TYPE OF POLISH OR WAX THAT MAY CONTAIN ABRASIVES.
- STAINLESS STEEL PRODUCTS CAN BE CLEANED WITH MILD SOAP AND WATER. STAINLESS STEEL POLISH SHOULD BE USED TO POLISH SMALL SCRATCHES.
- GLOSS BLACK FINISHES SHOULD BE CLEANED WITH MILD SOAP AND WATER



## WARNING



Failure to follow these instructions could lead to death, personal injury, and / or property damage.

Failure to follow these instructions could lead to death, personal injury, and / or property damage.

### FASTENERS:

All Westin supplied fasteners must be utilized and installed in accordance with the installation instructions and apply torque to the specifications as defined. **DOUBLE CHECK ALL FASTENERS BEFORE INITIAL USE, AND PERIODICALLY IN THE FUTURE TO ENSURE PROPER FUNCTION AND SAFETY.**

### DRILLING:

Most Westin products do not require drilling for installation. If drilling is defined as required, use caution when drilling a vehicle. **FAILURE TO REVIEW AN AREA TO BE DRILLED MAY RESULT IN PERSONAL INJURY AND/OR INJURY TO OTHERS AS WELL AS VEHICLE DAMAGE.**

### EYE PROTECTION:

**ALWAYS WEAR SAFETY GLASSES OR GOGGLES DURING THE INSTALLATION PROCESS TO AVOID PERSONAL INJURY.**

### MAXIMUM TOWING/CARRYING CAPACITY: (if applicable)

The Westin Receiver Hitches will have a visible tow rating label affixed directly on the product. User should never exceed the vehicle manufacturers maximum tow and weight rating regardless of the capacity of the hitch. **FAILURE TO FOLLOW THESE GUIDELINES WILL VOID THE WESTIN WARRANTY AND MAY RESULT IN PERSONAL INJURY AND/OR INJURY TO OTHERS AS WELL AS VEHICLE DAMAGE.**

### FOR CALIFORNIA RESIDENTS ONLY-PROP 65 WARNING:

Some products may contain chemicals such as DEHP, which can cause cancer, birth defects or other reproductive harm.



Discover other running boards and step bars on our website.