

# INSTALLATION INSTRUCTIONS

## PRO TRAXX 4 OVAL STEP BAR



### APPLICATION:

Silverado/Sierra 1500 Regular Cab 2019-2020 ; 2500/3500

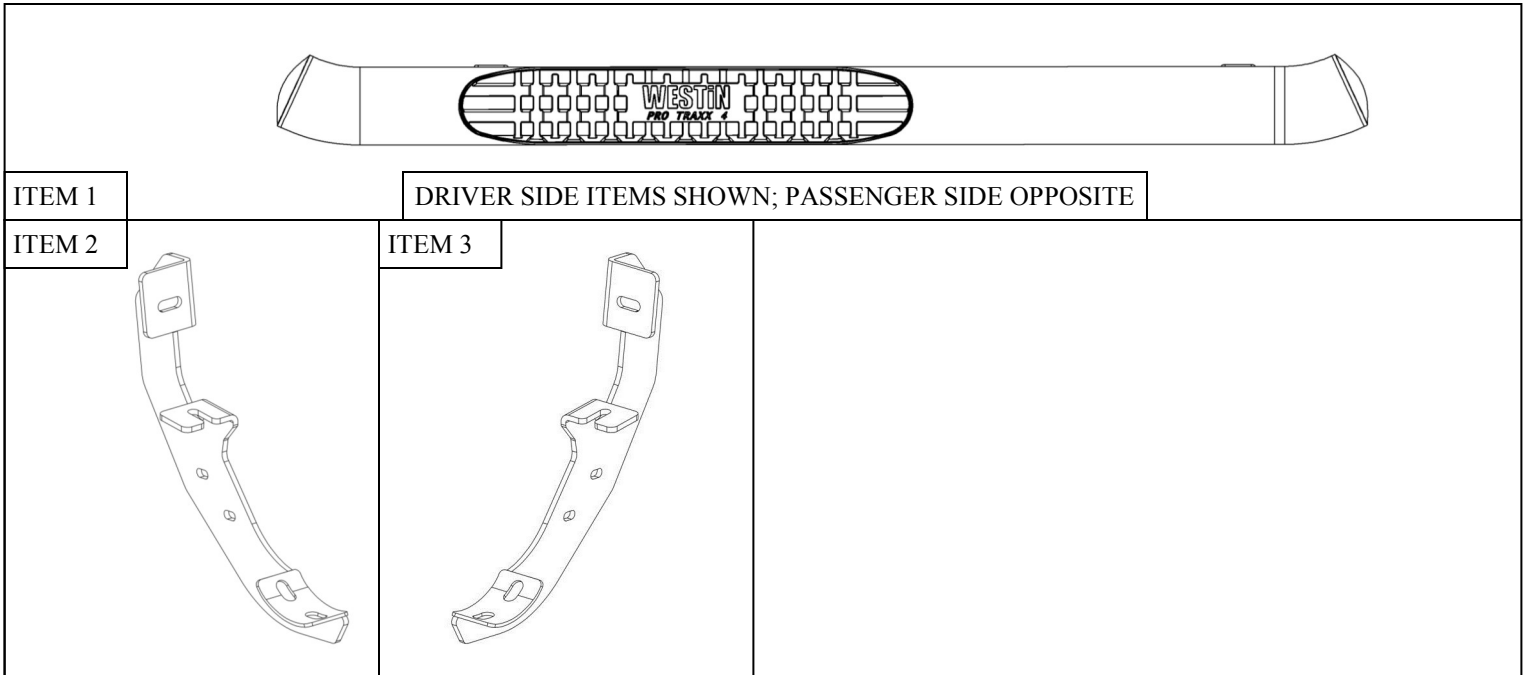
Regular Cab 2020

### PART NUMBER:

21-24110, 21-24115

CONTENT			
ITEM	QUANTITY	DESCRIPTION	TOOLS NEEDED
1	2	STEP BAR ASSEMBLY (1 DRIVER, 1 PASSENGER)	13MM SOCKET
2	2	DRIVER MOUNTING BRACKET	13MM WRENCH
3	2	PASSENGER MOUNTING BRACKET	10MM SOCKET
4	4	BRACKET COVER	10MM WRENCH
5	8	M8 HEX HEAD BOLT (YELLOW ZINC)	RATCHET
6	8	M8 SPLIT LOCK WASHER (YELLOW ZINC)	TORQUE WRENCH
7	8	M8 FLAT WASHER (YELLOW ZINC)	
8	8	M10 BUTTON HEAD BOLT (BLACK ZINC)	
9	8	M10 TOOTHED LOCK WASHER (BLACK ZINC)	
10	8	M10 FLAT WASHER (BLACK ZINC)	
11	8	M6 HEX HEAD BOLT (YELLOW ZINC)	
12	16	M6 FLAT WASHER (YELLOW ZINC)	
13	8	M6 NYLOCK NUT (YELLOW ZINC)	

**ANTI-SEIZE LUBRICANT MUST BE USED ON ALL STAINLESS STEEL FASTENERS TO PREVENT THREAD DAMAGE AND GALLING**



## PROCEDURE

1. Remove contents from box, verify if all parts listed are present and free from damage. Carefully read and understand all instructions before attempting installation.  
**Failure to identify damage before installation could lead to a rejection of any claim.**

2. Starting on the driver side, remove the rubber plugs located on the rocker panel at each mounting location. See **Figure 1**.
3. **For models with threaded holes:** At each bracket mounting location on the rocker panel there should be a welded factory nut.



Figure 1

4. Locate (1) Mounting Bracket (Item 2) and loosely secure it to the rocker panel using the provided hardware: (2) M8 hex head bolt, (2) M8 flat washer, and (2) M8 lock washer. See **Figures 2-3**.
5. Repeat **Step 4** for all remaining bracket mounting locations.

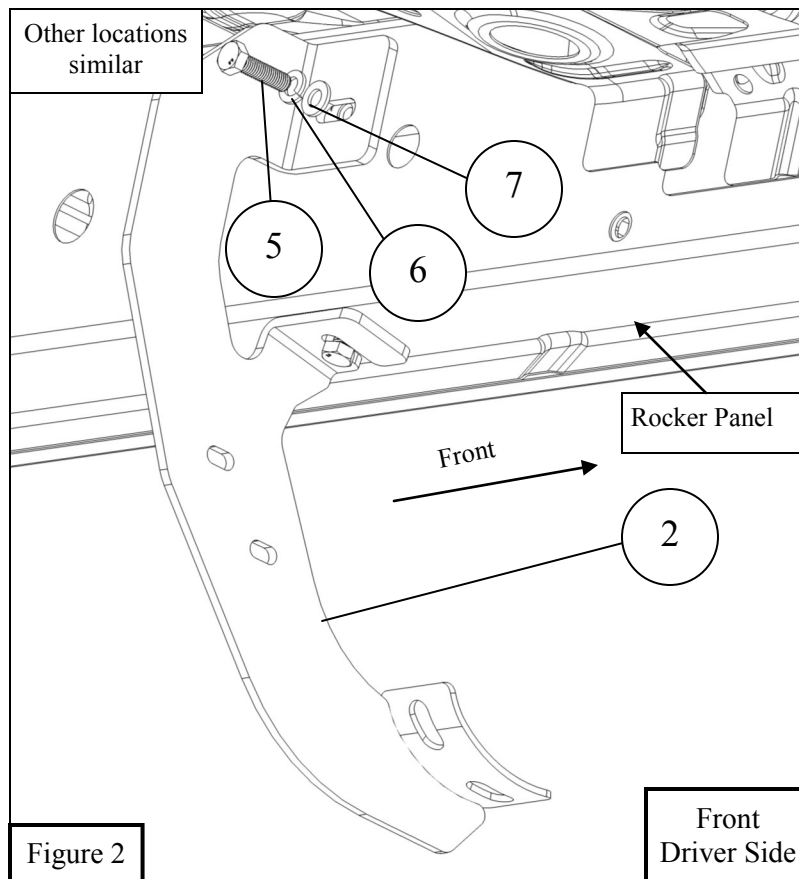
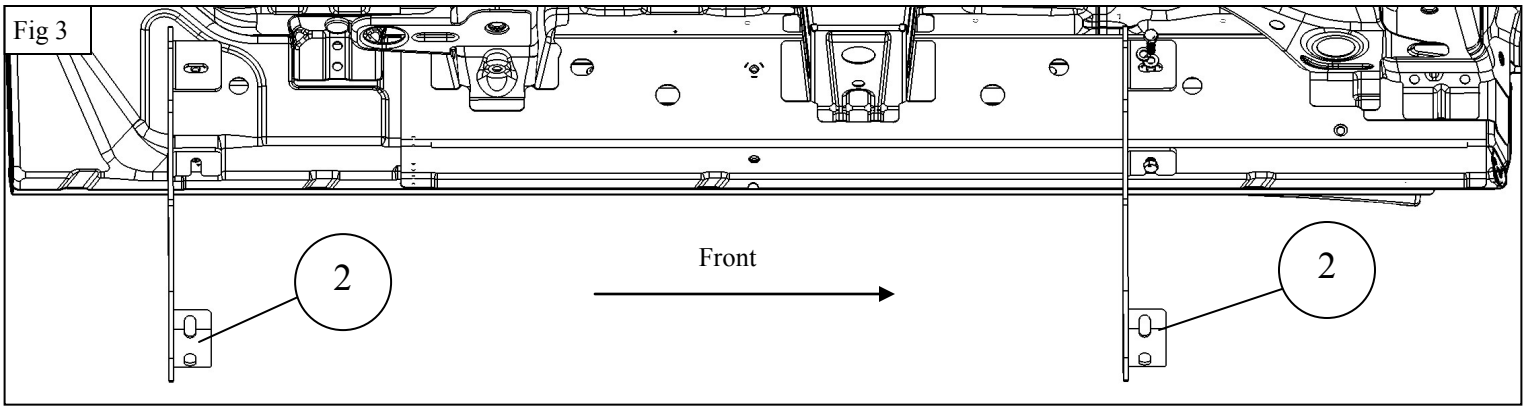
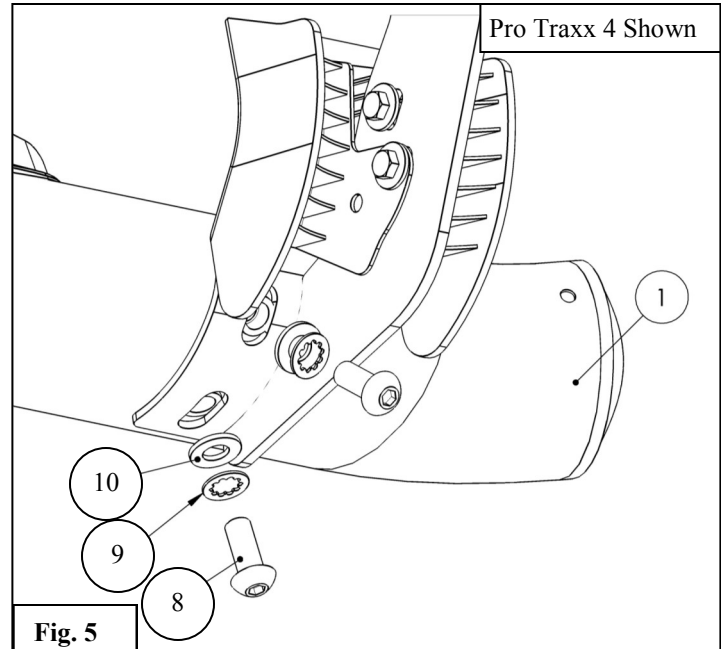
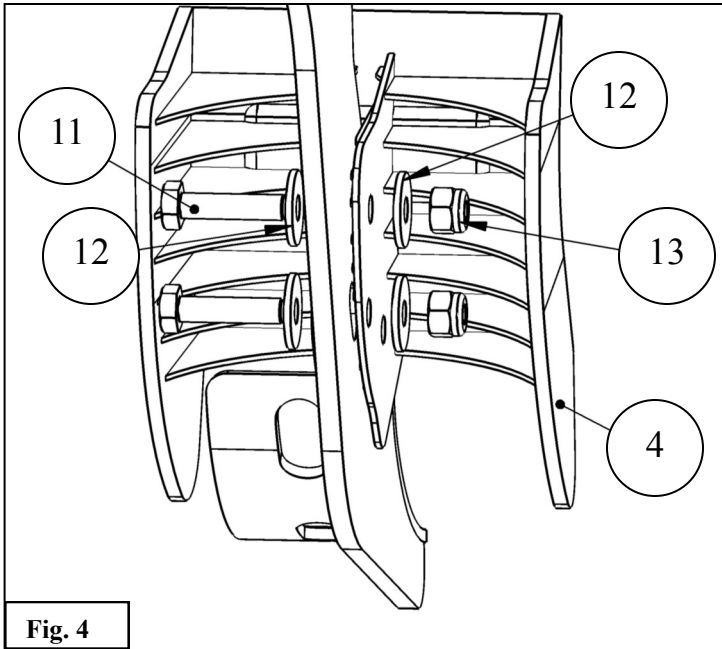


Figure 2



5. Use the supplied M6 Hardware to attach the Bracket Covers (4) to the Mounting Brackets (2-3). See **Figure 4**.
6. Use the supplied Black M10 Hardware to attach the Step Bars (1,2) to the Mounting Brackets (2-3). See **Figure 5**.
7. Tighten all hardware as specified: M6 to 7 ft-lbs, M8 to 15-18 ft-lbs, M10 to 38 ft-lbs.



INSTALLATION COMPLETE



#### CARE INSTRUCTIONS

- REGULAR WAXING IS RECOMMENDED. DO NOT USE ANY TYPE OF POLISH OR WAX THAT MAY CONTAIN ABRASIVES.
- STAINLESS STEEL PRODUCTS CAN BE CLEANED WITH MILD SOAP AND WATER. STAINLESS STEEL POLISH SHOULD BE USED TO POLISH SMALL SCRATCHES.
- GLOSS BLACK FINISHES SHOULD BE CLEANED WITH MILD SOAP AND WATER

**WESTiN**