



# INSTALLATION INSTRUCTIONS

## PROTRAXX 4 & PROTRAXX 5

### APPLICATION:

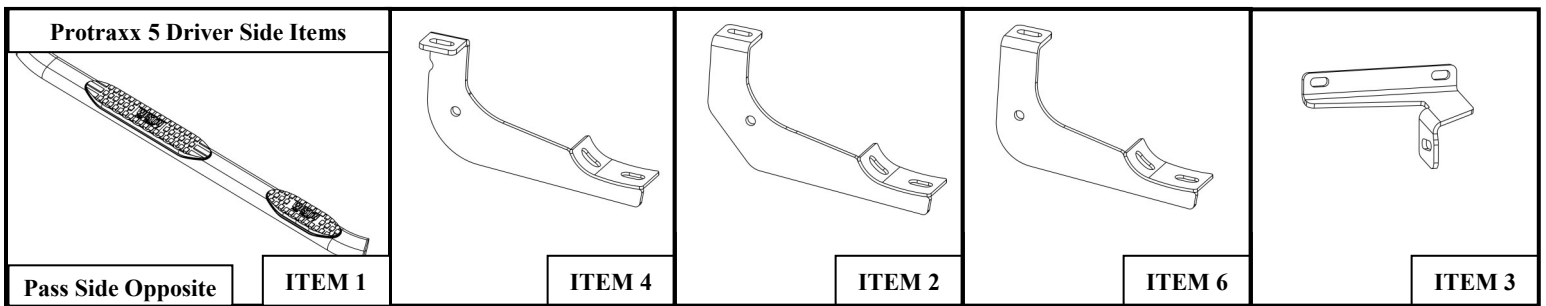
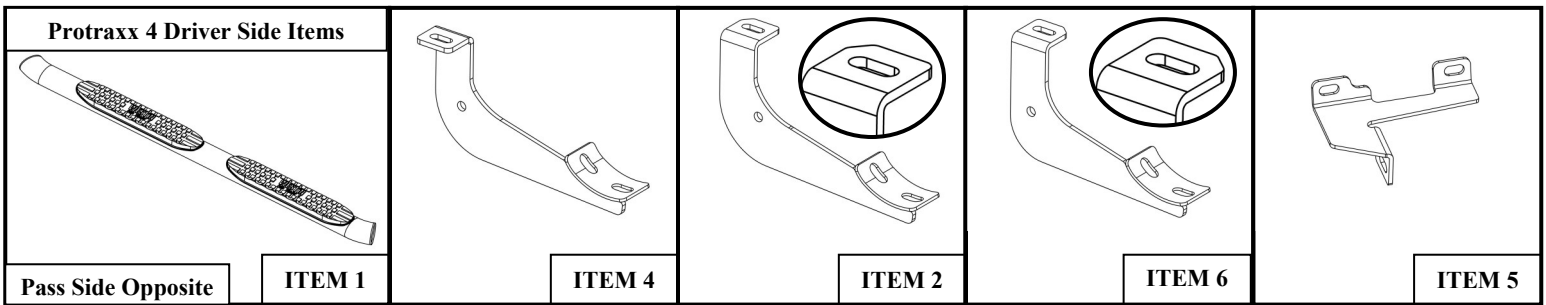
2018 Jeep Wrangler 4Dr JL

### PART NUMBER:

21-24060, 21-24065, 21-54060, 21-54065

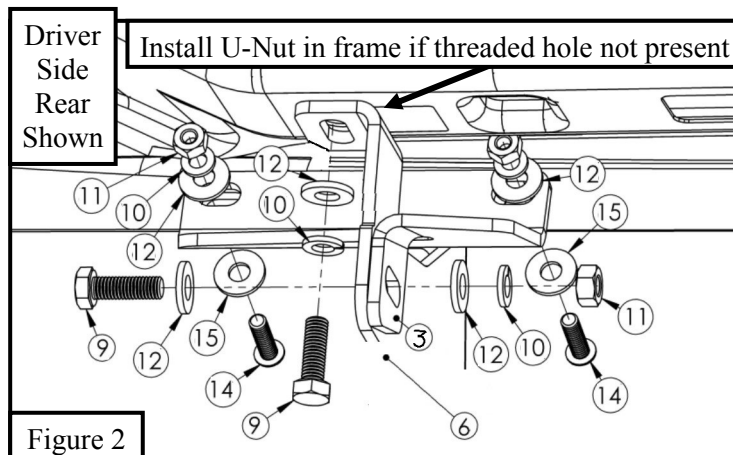
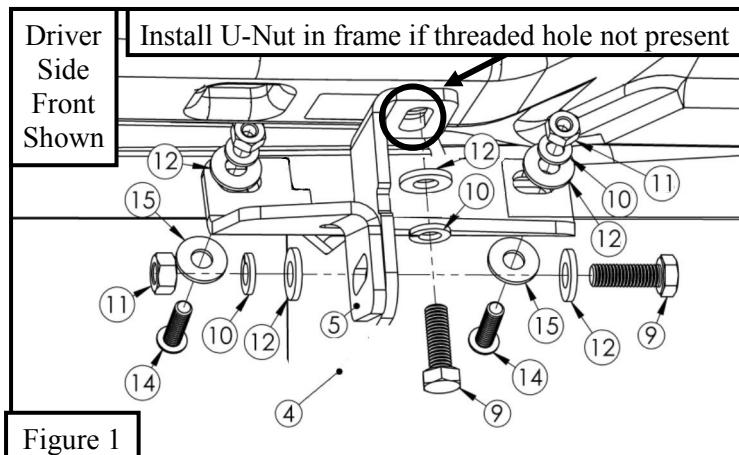
| CONTENT |          |   |               |
|---------|----------|---|---------------|
| ITEM    | QUANTITY | DESCRIPTION                                       | TOOLS NEEDED  |
| 1       | 2        | STEP BAR ASSEMBLY                                 | RATCHET       |
| 2       | 2        | CENTER MOUNT BRACKET, DRIVER AND PASSENGER        | TORQUE WRENCH |
| 3       | 4        | CENTER SUPPORT BRACKET, DRIVER AND PASSENGER      | 10MM SOCKET   |
| 4       | 2        | FRONT MOUNT BRACKET, DRIVER AND PASSENGER         | 13MM SOCKET   |
| 5       | 2        | FRONT SUPPORT BRACKET, DRIVER AND PASSENGER       | 13MM WRENCH   |
| 6       | 2        | REAR MOUNT BRACKET, DRIVER AND PASSENGER          | SOCKET EXT.   |
| 7       | 12       | M10 INTERNAL TOOTHED LOCK WASHER (S/S BLACK ZINC) | ALLEN WRENCH  |
| 8       | 6        | M8 EXTRUDED U-NUT (YELLOW ZINC)                   |               |
| 9       | 12       | M8 HEX HEAD CAP SCREW (YELLOW ZINC)               |               |
| 10      | 24       | M8 SPLIT LOCK WASHER (YELLOW ZINC)                |               |
| 11      | 18       | M8 HEX NUT (YELLOW ZINC)                          |               |
| 12      | 30       | M8 FLAT WASHER (YELLOW ZINC)                      |               |
| 13      | 12       | M10 BUTTON HEAD CAP SCREW (S/S BLACK ZINC)        |               |
| 14      | 12       | M8 BUTTON HEAD CAP SCREW (S/S BLACK ZINC)         |               |
| 15      | 12       | M8 FLAT WASHER (S/S BLACK ZINC)                   |               |
| 16      | 12       | M10 FLAT WASHER (S/S BLACK ZINC)                  |               |

**ANTI-SEIZE LUBRICANT MUST BE USED ON ALL STAINLESS STEEL FASTENERS TO PREVENT THREAD DAMAGE AND GALLING**

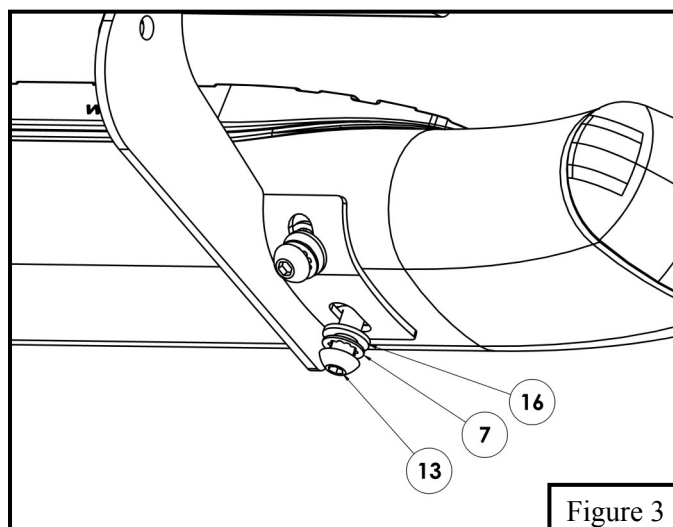


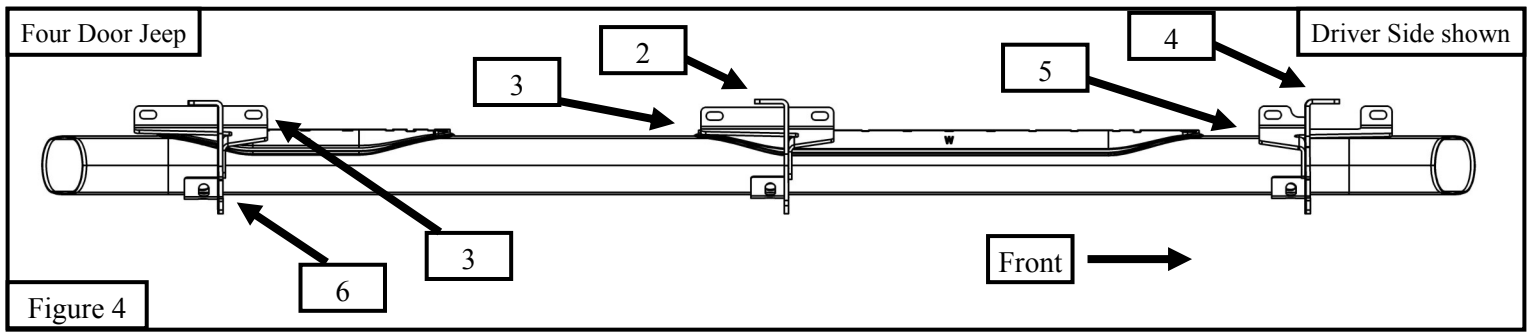
## PROCEDURE

1. Remove contents from box, verify if all parts listed are present and free from damage.  
Carefully read and understand all instructions before attempting installation.  
**Failure to identify damage before installation could lead to a rejection of any claim.**
2. Starting at the front mount location, locate (1) Front Mount Bracket (Item 4) and (1) Front Support Bracket (Item 5). Loosely secure brackets, using: (4) M8 hex head cap screw, (1) M8 extruded u-nut, (4) M8 split lock washer, (3) M8 hex nut, (5) M8 flat washer, **See Figure 1. Note:** M8 extruded u-nut is only used if a threaded hole is not present (circled on **Figure 1**).
3. For the rear mounting location, locate (1) Rear Mount Bracket (Item 6) and (1) Center Support Bracket (Item 3). Loosely secure brackets, using: (4) M8 hex head cap screw, (1) M8 extruded u-nut, (4) M8 split lock washer, (3) M8 hex nut, (5) M8 flat washer. **Note:** M8 extruded u-nut is only used if a threaded hole is not present. **See Figure 2.**



4. Center mount location similar to rear.
5. Locate (1) Step Bar Assembly and loosely secure it onto the previously installed brackets using the provided M10 hardware. **See Figure 3.**
6. See **Figure 4** for visual bracket orientation.
7. Align step bar and brackets to desired positioning then torque and tighten all: M8 hardware to 16 ft-lbs and M10 to 32 ft-lbs.





### Care Instructions

- REGULAR WAXING IS RECOMMENDED. DO NOT USE ANY TYPE OF POLISH OR WAX THAT MAY CONTAIN ABRASIVES.
- STAINLESS STEEL PRODUCTS CAN BE CLEANED WITH MILD SOAP AND WATER. STAINLESS STEEL POLISH SHOULD BE USED TO POLISH SMALL SCRATCHES.
- GLOSS BLACK FINISHES SHOULD BE CLEANED WITH MILD SOAP AND WATER.

# Westin

SIGNATURE OF QUALITY

AUTOMOTIVE PRODUCTS, INC.



## WARNING



Failure to follow these instructions could lead to death, personal injury, and / or property damage.

### FASTENERS:

All Westin supplied fasteners must be utilized and installed in accordance with the installation instructions and apply torque to the specifications as defined. **DOUBLE CHECK ALL FASTENERS BEFORE INITIAL USE, AND PERIODICALLY IN THE FUTURE TO ENSURE PROPER FUNCTION AND SAFETY.**

### DRILLING:

Most Westin products do not require drilling for installation. If drilling is defined as required, use caution when drilling a vehicle. **FAILURE TO REVIEW AN AREA TO BE DRILLED MAY RESULT IN PERSONAL INJURY AND/OR INJURY TO OTHERS AS WELL AS VEHICLE DAMAGE.**

### EYE PROTECTION:

**ALWAYS WEAR SAFETY GLASSES OR GOGGLES DURING THE INSTALLATION PROCESS TO AVOID PERSONAL INJURY.**

### MAXIMUM TOWING/CARRYING CAPACITY:

The Westin Receiver Hitches will have a visible tow rating label affixed directly on the product. User should never exceed the vehicle manufacturers maximum tow and weight rating regardless of the capacity of the hitch. **FAILURE TO FOLLOW THESE GUIDELINES WILL VOID THE WESTIN WARRANTY AND MAY RESULT IN PERSONAL INJURY AND/OR INJURY TO OTHERS AS WELL AS VEHICLE DAMAGE.**

Westin  
SIGNATURE OF QUALITY

[View other rain guards and wind deflectors made by Westin on our website.](#)