



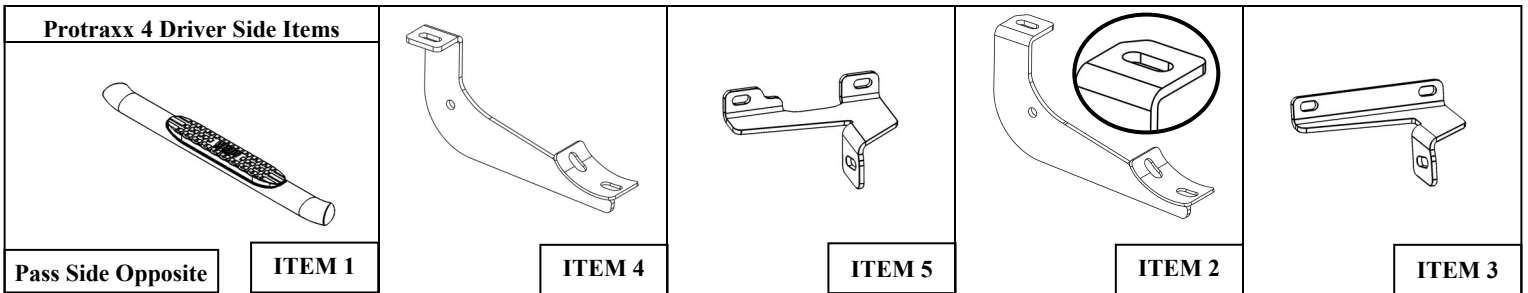
# INSTALLATION INSTRUCTIONS

## PROTRAXX 4 OVAL STEP BAR

**APPLICATION:**  
2018 Jeep Wrangler 2Dr JL  
**PART NUMBER:**  
21-24050, 21-24055

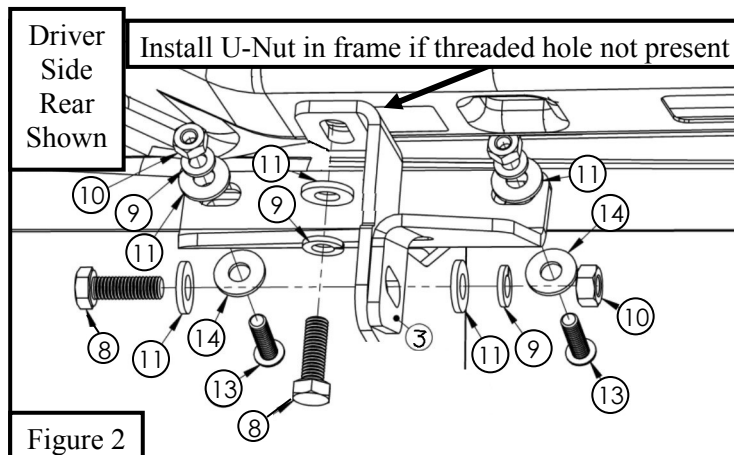
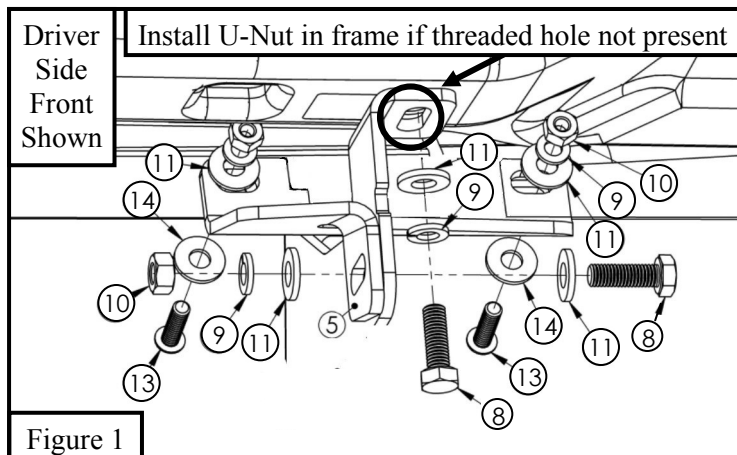
CONTENT			
ITEM	QUANTITY	DESCRIPTION	TOOLS NEEDED
1	2	STEP BAR ASSEMBLY, DRIVER AND PASSENGER	RATCHET
2	2	REAR MOUNT BRACKET, DRIVER AND PASSENGER	TORQUE WRENCH
3	2	REAR SUPPORT BRACKET, DRIVER AND PASSENGER	10MM SOCKET
4	2	FRONT MOUNT BRACKET, DRIVER AND PASSENGER	13MM SOCKET
5	2	FRONT SUPPORT BRACKET, DRIVER AND PASSENGER	13MM WRENCH
6	8	M10 INTERNAL TOOTHED LOCK WASHER (S/S BLACK ZINC)	ALLEN WRENCH
7	4	M8 EXTRUDED U-NUT (YELLOW ZINC)	SOCKET EXT.
8	8	M8 HEX HEAD CAP SCREW (YELLOW ZINC)	
9	16	M8 SPLIT LOCK WASHER (YELLOW ZINC)	
10	12	M8 HEX NUT (YELLOW ZINC)	
11	20	M8 FLAT WASHER (YELLOW ZINC)	
12	8	M10 BUTTON HEAD CAP SCREW (S/S BLACK ZINC)	
13	8	M8 BUTTON HEAD CAP SCREW (S/S BLACK ZINC)	
14	8	M8 FLAT WASHER (S/S BLACK ZINC)	
15	8	M10 FLAT WASHER (S/S BLACK ZINC)	

**ANTI-SEIZE LUBRICANT MUST BE USED ON ALL STAINLESS STEEL FASTENERS TO PREVENT THREAD DAMAGE AND GALLING**

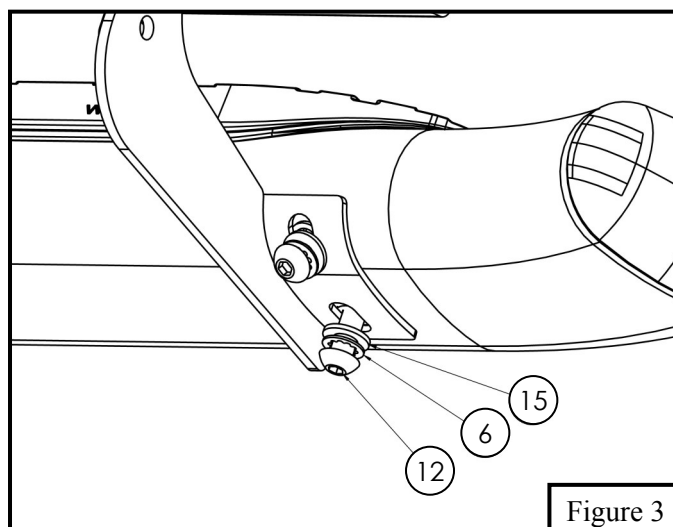


## PROCEDURE

1. Remove contents from box, verify if all parts listed are present and free from damage.  
Carefully read and understand all instructions before attempting installation.  
**Failure to identify damage before installation could lead to a rejection of any claim.**
2. Starting at the front mount location, locate (1) Front Mount Bracket (Item 4) and (1) Front Support Bracket (Item 5). Loosely secure brackets, using: (4) M8 hex head cap screw, (1) M8 extruded u-nut, (4) M8 split lock washer, (3) M8 hex nut, (5) M8 flat washer, **See Figure 1.** **Note:** M8 extruded u-nut is only used if a threaded hole is not present (circled on **Figure 1**).
3. For the rear mounting location, locate (1) Center Mount Bracket (Item 2) and (1) Center Support Bracket (Item 3). Loosely secure brackets, using: (4) M8 hex head cap screw, (1) M8 extruded u-nut, (4) M8 split lock washer, (3) M8 hex nut, (5) M8 flat washer. **Note:** M8 extruded u-nut is only used if a threaded hole is not present. **See Figure 2.**



4. Locate (1) Step Bar Assembly and loosely secure it onto the previously installed brackets using the provided M10 hardware. **See Figure 3.**
5. See **Figure 4** for visual bracket orientation.
6. Align step bar and brackets to desired positioning then torque and tighten all: M8 hardware to 16 ft-lbs and M10 to 32 ft-lbs.



Driver Side Shown

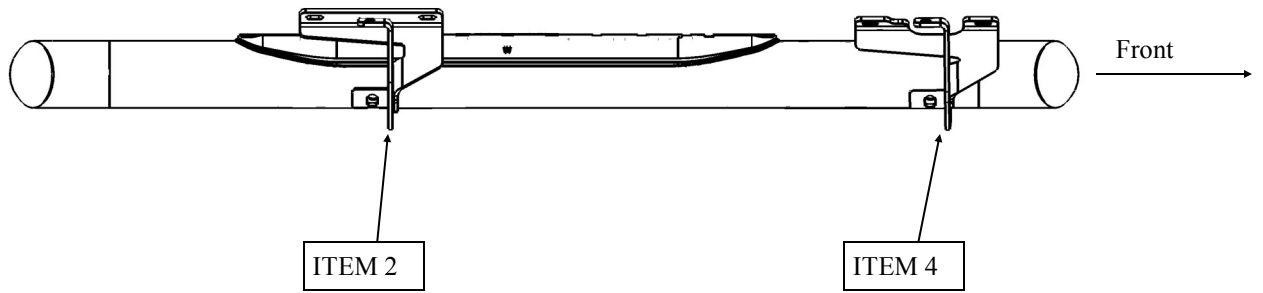


Figure 4



### Care Instructions

- REGULAR WAXING IS RECOMMENDED. DO NOT USE ANY TYPE OF POLISH OR WAX THAT MAY CONTAIN ABRASIVES.
- STAINLESS STEEL PRODUCTS CAN BE CLEANED WITH MILD SOAP AND WATER. STAINLESS STEEL POLISH SHOULD BE USED TO POLISH SMALL SCRATCHES.
- GLOSS BLACK FINISHES SHOULD BE CLEANED WITH MILD SOAP AND WATER.



## WARNING



Failure to follow these instructions could lead to death, personal injury, and / or property damage.

Failure to follow these instructions could lead to death, personal injury, and / or property damage.

### FASTENERS:

All Westin supplied fasteners must be utilized and installed in accordance with the installation instructions and apply torque to the specifications as defined. **DOUBLE CHECK ALL FASTENERS BEFORE INITIAL USE, AND PERIODICALLY IN THE FUTURE TO ENSURE PROPER FUNCTION AND SAFETY.**

### DRILLING:

Most Westin products do not require drilling for installation. If drilling is defined as required, use caution when drilling a vehicle. **FAILURE TO REVIEW AN AREA TO BE DRILLED MAY RESULT IN PERSONAL INJURY AND/OR INJURY TO OTHERS AS WELL AS VEHICLE DAMAGE.**

### EYE PROTECTION:

**ALWAYS WEAR SAFETY GLASSES OR GOGGLES DURING THE INSTALLATION PROCESS TO AVOID PERSONAL INJURY.**

### MAXIMUM TOWING/CARRYING CAPACITY: (if applicable)

The Westin Receiver Hitches will have a visible tow rating label affixed directly on the product. User should never exceed the vehicle manufacturers maximum tow and weight rating regardless of the capacity of the hitch. **FAILURE TO FOLLOW THESE GUIDELINES WILL VOID THE WESTIN WARRANTY AND MAY RESULT IN PERSONAL INJURY AND/OR INJURY TO OTHERS AS WELL AS VEHICLE DAMAGE.**



Learn more about running boards and step bars we have.