

INSTALLATION INSTRUCTIONS

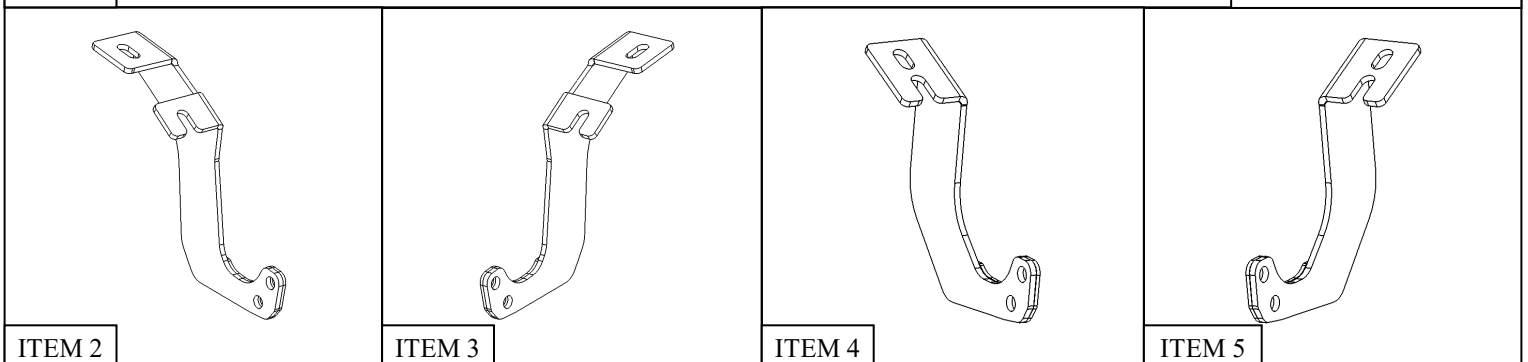
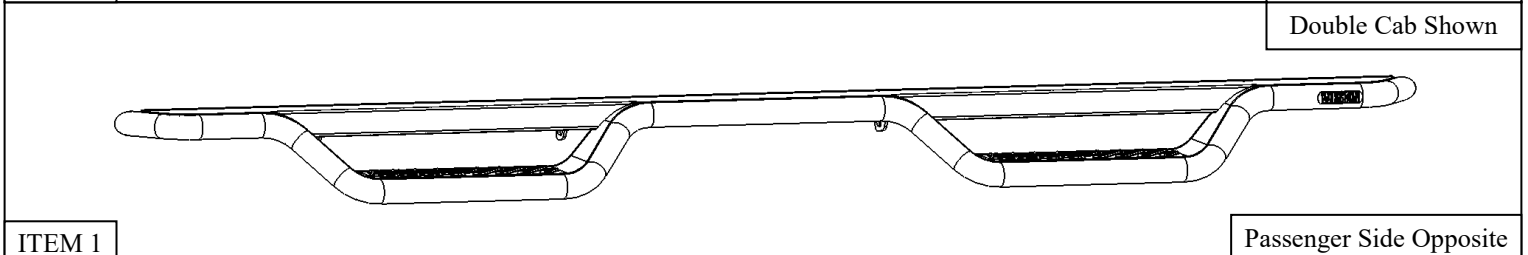
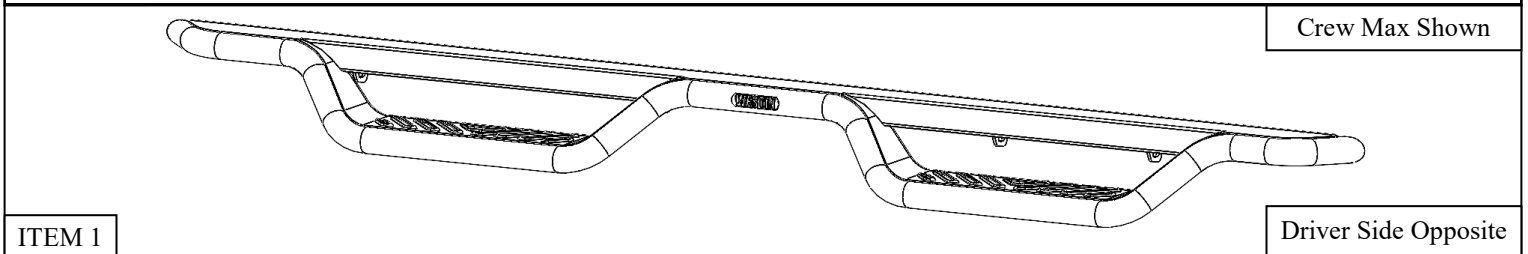
OUTLAW NERF DROP STEPS



APPLICATION:
2022 Toyota Tundra Crew Max, Double Cab
PART NUMBER:
20-14225, 20-14235

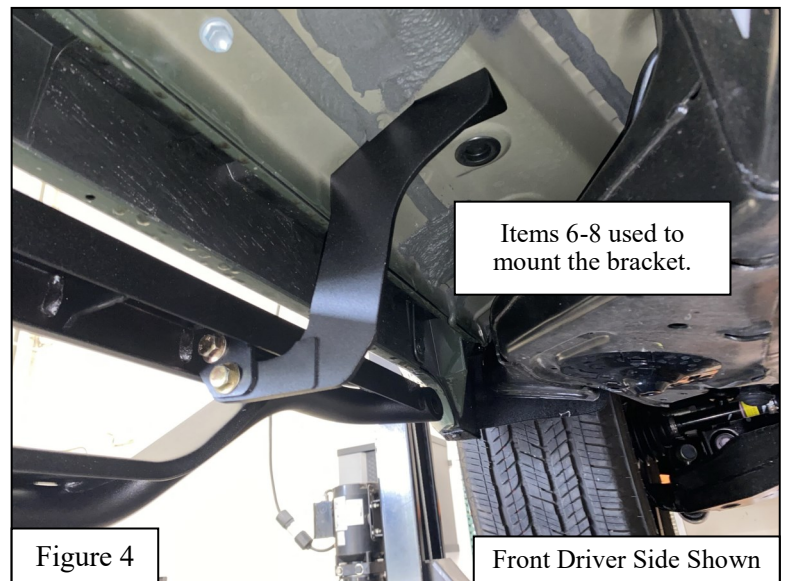
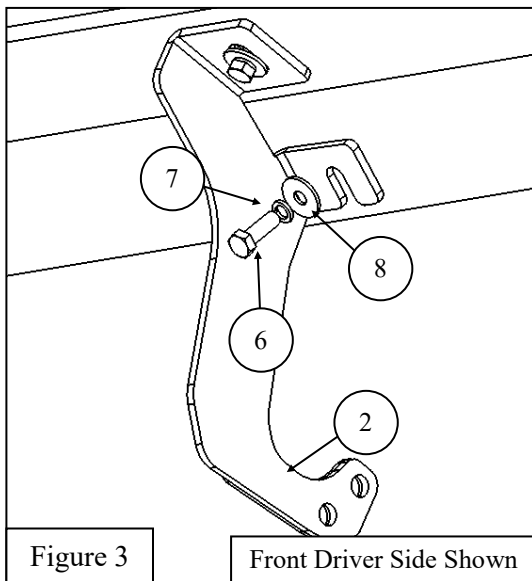
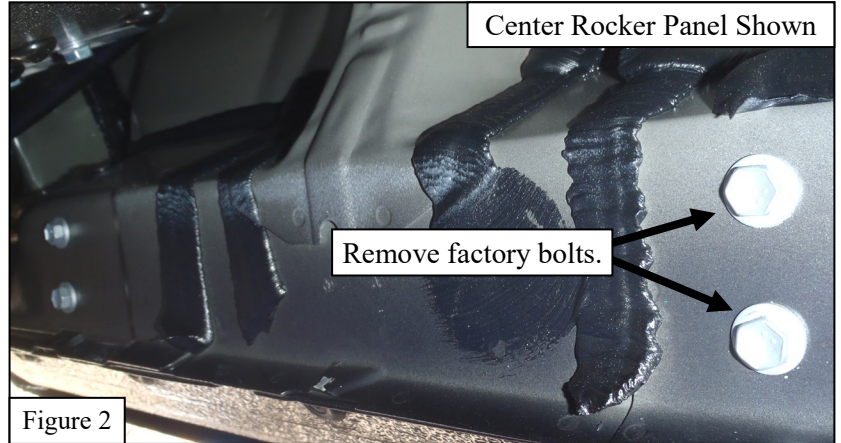
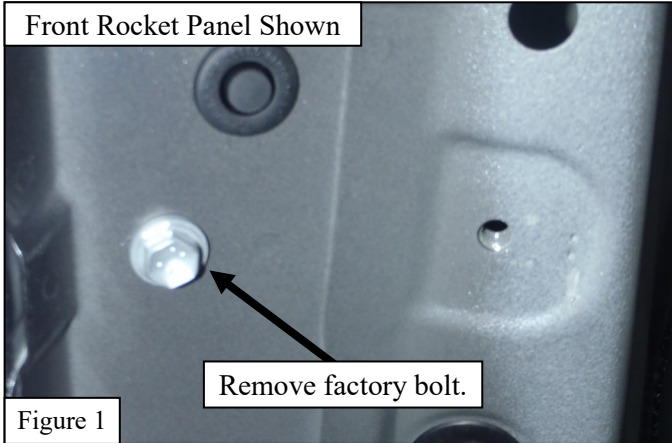
CONTENT			
ITEM	QUANTITY	DESCRIPTION	TOOLS NEEDED
1	2	OUTLAW STEP BAR ASSEMBLY (1 DRIVER, 1 PASSENGER)	13MM SOCKET
2	1	FRONT DRIVER SIDE MOUNTING BRACKET	13MM WRENCH
3	1	FRONT PASSENGER SIDE MOUNTING BRACKET	15MM SOCKET
4	3	DRIVER SIDE MOUNTING BRACKET	15MM WRENCH
5	3	PASSENGER SIDE MOUNTING BRACKET	RATCHET
6	16	M8 HEX HEAD BOLT	TORQUE WRENCH
7	16	M8 SPLIT LOCK WASHER	
8	16	M8 FLAT WASHER	
9	16	M10 SERRATED FLANGE HEX HEAD BOLT	
10	16	M10 SERRATED FLANGE HEX NUT	

ANTI-SEIZE LUBRICANT MUST BE USED ON ALL STAINLESS STEEL FASTENERS TO PREVENT THREAD DAMAGE AND GALLING

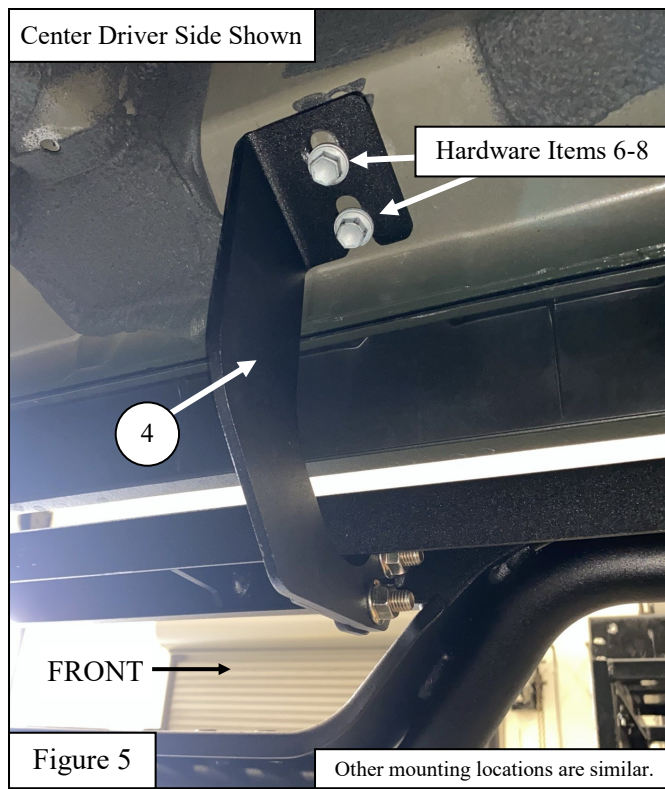


PROCEDURE

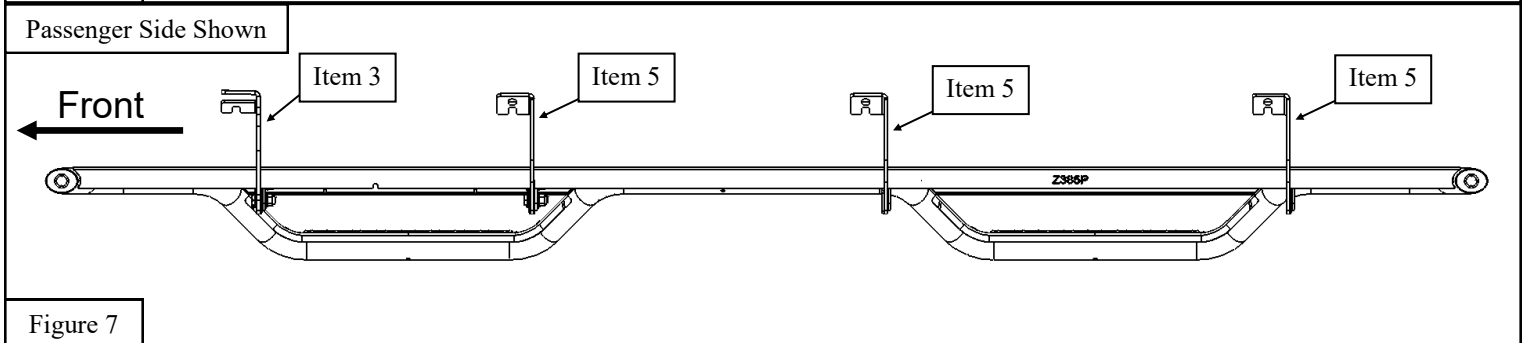
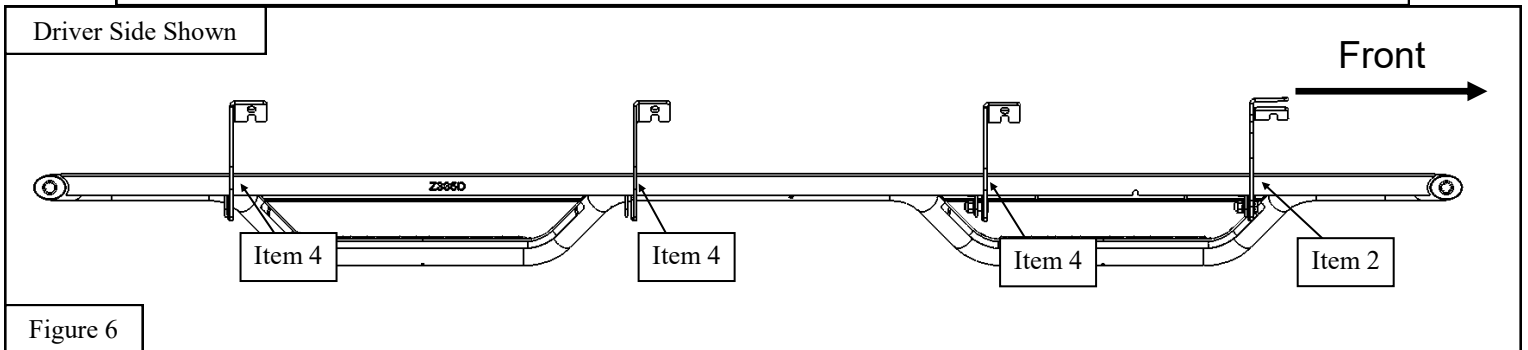
1. Remove contents from box, verify if all parts listed are present and free from damage. Carefully read and understand all instructions before attempting installation.
Failure to identify damage before installation could lead to a rejection of any claim.
2. Starting on the driver side of the vehicle, locate the mounting locations with factory bolts preinstalled in them. Remove the factory bolts from the threaded holes. See **Figures 1 & 2** for reference. **Note:** *The factory bolts will not be reused.*
3. Locate (1) Front Driver Side Mounting Bracket (Item 2) and loosely install it to the front driver mounting location on the rocker panel using the supplied M8 hardware (Items 6-8). See **Figures 3 & 4** for reference.



4. Locate (3) Driver Side Mounting Brackets (Item 4) and loosely secure the brackets onto the driver center and rear rocker panel mounting locations with the supplied M8 hardware (Items 6-8). See **Figure 5** for reference.
5. Repeat **Steps 3 & 4** for the passenger's side mounting locations with the Passenger Side Mounting Brackets (Items 4 & 5).
Note: See **Figures 6 & 7** for the correct bracket orientation.



Note: Double Cab Outlaw Bracket Orientation Shown in **Figures 6 & 7**, Crew Max Bracket Orientation is Similar.



6. Use the supplied M10 Hardware (Items 9-10) to loosely secure the Outlaw Step Bars (Item 1) to the corresponding mounting brackets. See **Figure 8** for reference.
7. Align and adjust the Outlaw Step Bars and mounting brackets as necessary. Tighten and torque all hardware as specified: M8 hardware to 15-18 ft-lbs, M10 hardware to 35-38 ft-lbs.

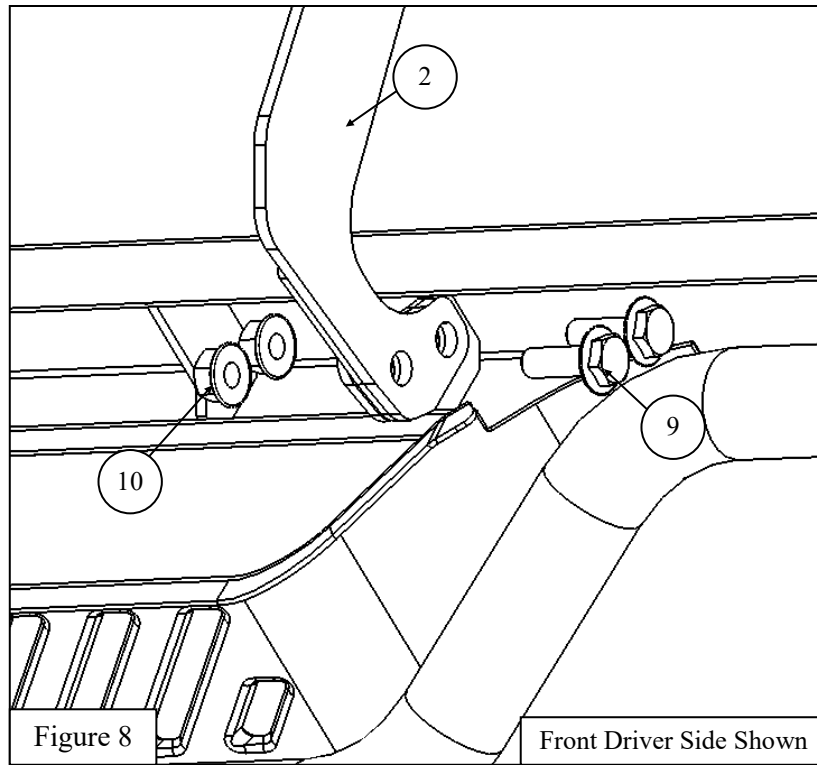


Figure 8

Front Driver Side Shown

INSTALLATION COMPLETE



Crew Max Shown

CARE INSTRUCTIONS

- REGULAR WAXING IS RECOMMENDED. DO NOT USE ANY TYPE OF POLISH OR WAX THAT MAY CONTAIN ABRASIVES.
- STAINLESS STEEL PRODUCTS CAN BE CLEANED WITH MILD SOAP AND WATER. STAINLESS STEEL POLISH SHOULD BE USED TO POLISH SMALL SCRATCHES.
- GLOSS BLACK FINISHES SHOULD BE CLEANED WITH MILD SOAP AND WATER.

WESTIN Westin Automotive Products, Inc.
 320 W. Covina Blvd
 San Dimas, Ca. 91773

Thank you for choosing Westin products
 for additional installation assistance please call
 Customer Service (800) 793-7846

www.westinautomotive.com

DATE: 06/06/2022



WARNING



Failure to follow these instructions could lead to death, personal injury, and / or property damage.

Failure to follow these instructions could lead to death, personal injury, and / or property damage.

FASTENERS:

All Westin supplied fasteners must be utilized and installed in accordance with the installation instructions and apply torque to the specifications as defined. **DOUBLE CHECK ALL FASTENERS BEFORE INITIAL USE, AND PERIODICALLY IN THE FUTURE TO ENSURE PROPER FUNCTION AND SAFETY.**

DRILLING:

Most Westin products do not require drilling for installation. If drilling is defined as required, use caution when drilling a vehicle. **FAILURE TO REVIEW AN AREA TO BE DRILLED MAY RESULT IN PERSONAL INJURY AND/OR INJURY TO OTHERS AS WELL AS VEHICLE DAMAGE.**

EYE PROTECTION:

ALWAYS WEAR SAFETY GLASSES OR GOGGLES DURING THE INSTALLATION PROCESS TO AVOID PERSONAL INJURY.

MAXIMUM TOWING/CARRYING CAPACITY: (if applicable)

The Westin Receiver Hitches will have a visible tow rating label affixed directly on the product. User should never exceed the vehicle manufacturers maximum tow and weight rating regardless of the capacity of the hitch. **FAILURE TO FOLLOW THESE GUIDELINES WILL VOID THE WESTIN WARRANTY AND MAY RESULT IN PERSONAL INJURY AND/OR INJURY TO OTHERS AS WELL AS VEHICLE DAMAGE.**

FOR CALIFORNIA RESIDENTS ONLY-PROP 65 WARNING:

Some products may contain chemicals such as DEHP, which can cause cancer, birth defects or other reproductive harm. For more info go to www.p65warnings.ca.gov



Westin Automotive Products, Inc.
320 W. Covina Blvd
San Dimas, Ca. 91773