

## INSTALLATION INSTRUCTIONS

### OUTLAW DROP NERF STEP BARS

**APPLICATION:**

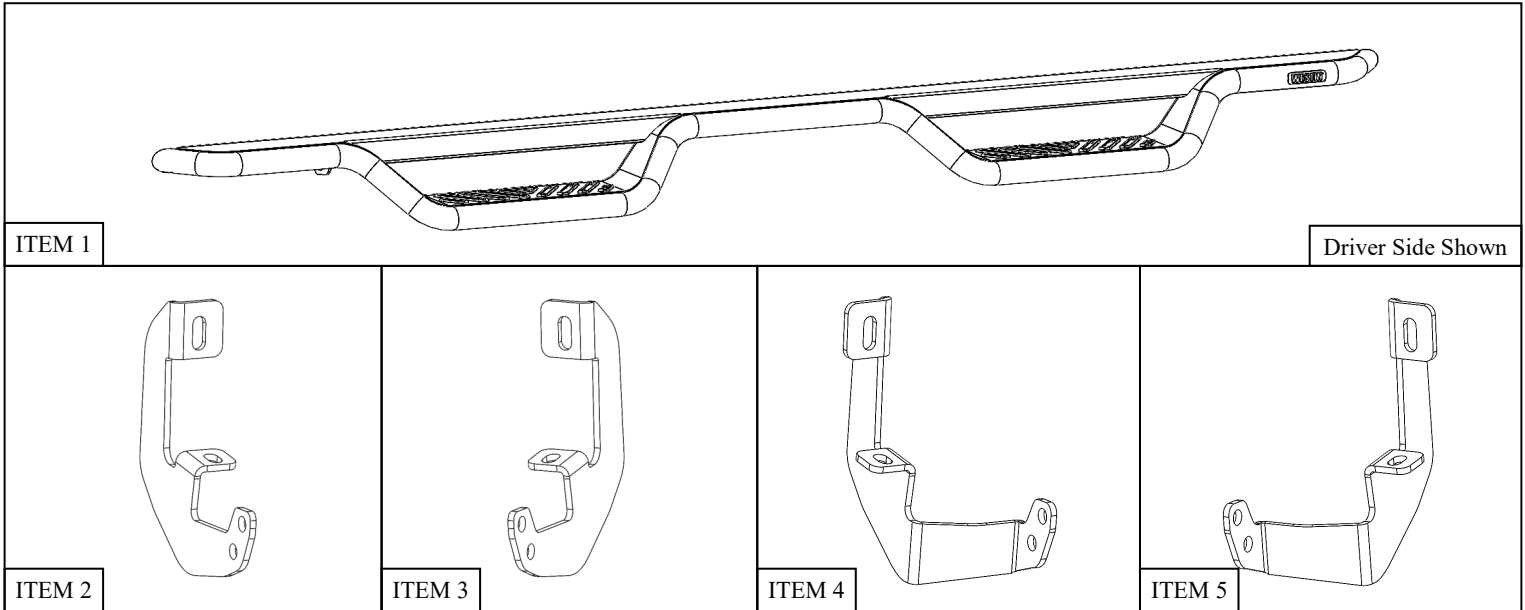
2019-2021 Chevrolet Silverado / GMC Sierra 1500 Crew Cab (Excl. 2019 Silverado LD/Sierra 1500 Limited);  
2020-2021 Chevrolet Silverado / GMC Sierra 2500/3500 Crew Cab

**PART NUMBER:**

20-14135

ITEM	QUANTITY	DESCRIPTION	TOOLS NEEDED
1	2	STEP BAR ASSEMBLY	13MM WRENCH
2	2	DRIVER MOUNTING BRACKET	13MM SOCKET
3	2	PASSENGER MOUNTING BRACKET	15MM WRENCH
4	1	CENTER DRIVER MOUNTING BRACKET	15MM SOCKET
5	1	CENTER PASSENGER MOUNTING BRACKET	RATCHET
6	12	M8 HEX HEAD BOLT	TORQUE WRENCH
7	12	M8 SPLIT LOCK WASHER	
8	12	M8 FLAT WASHER	
9	12	M10 SERRATED FLANGE HEX HEAD BOLT	
10	12	M10 SERRATED FLANGE HEX NUT	

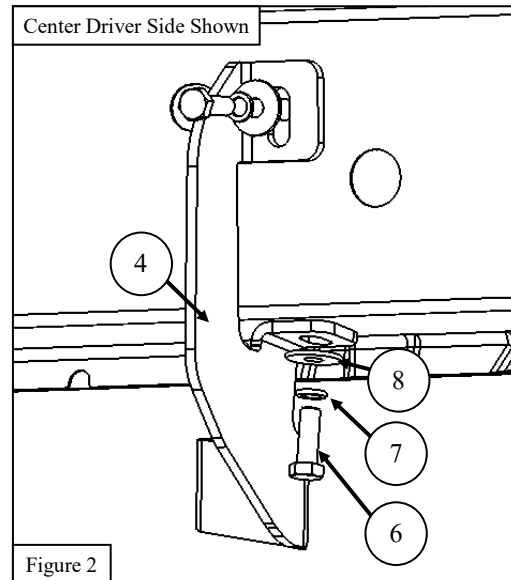
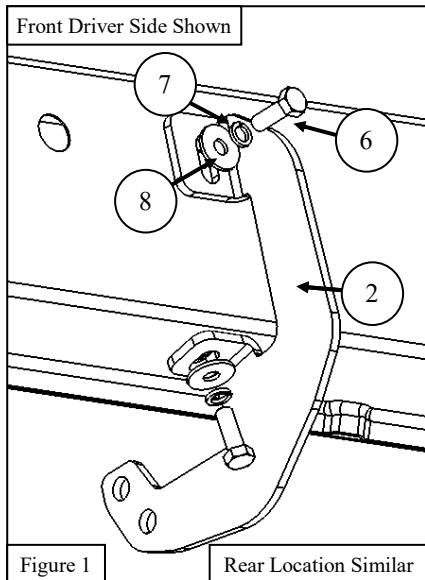
**ANTI-SEIZE LUBRICANT MUST BE USED ON ALL STAINLESS STEEL FASTENERS TO PREVENT THREAD DAMAGE AND GALLING**



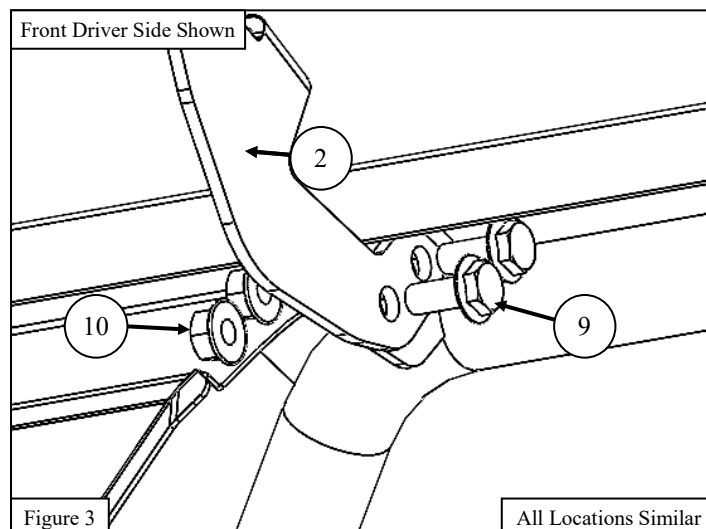
### PROCEDURE

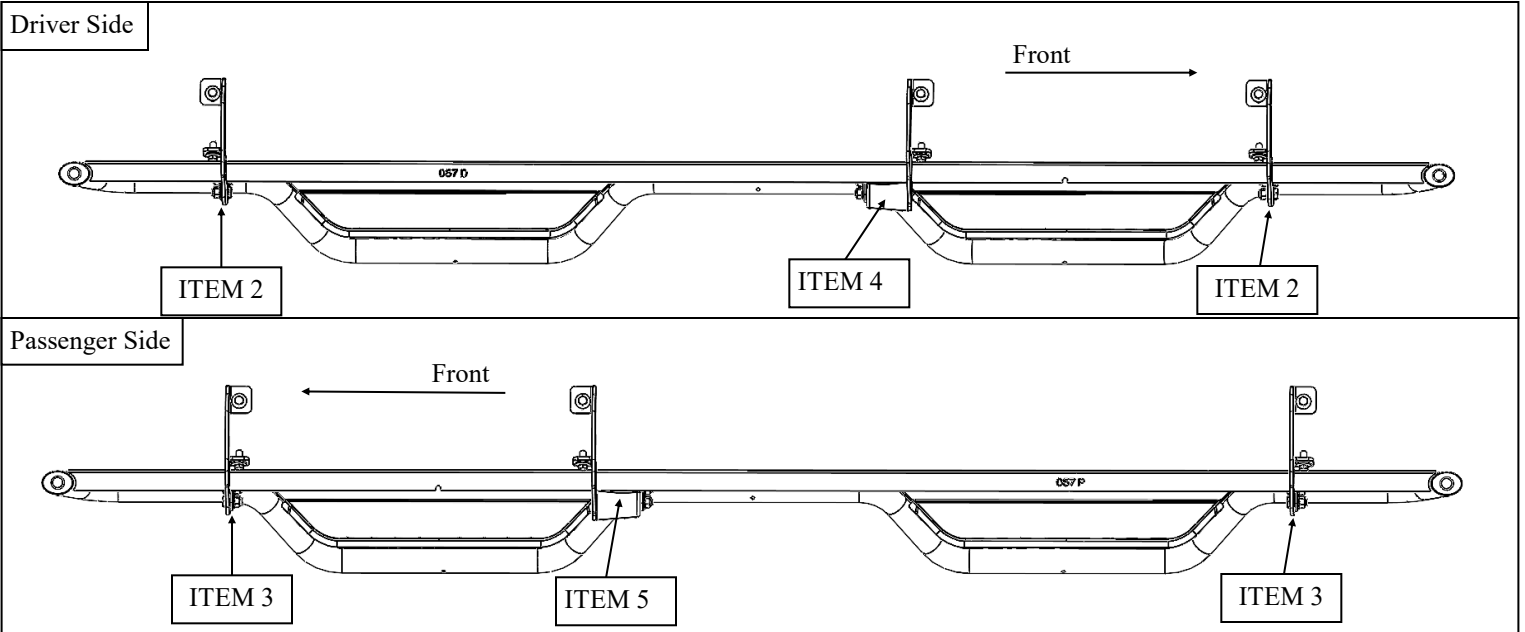
1. Remove contents from box, verify if all parts listed are present and free from damage.  
Carefully read and understand all instructions before attempting installation.  
**Failure to identify damage before installation could lead to a rejection of any claim.**

2. Locate the mount locations on the rocker panel of the vehicle. Remove the rubber plugs covering the threaded holes.
3. Locate (1) Driver Mounting Bracket (Item 2) and loosely secure it to the rocker panel using the provided hardware: (2) M8 hex head bolt, (2) M8 lock washer, and (2) M8 flat washer. See **Figure 1** for reference.
4. Locate (1) Center Driver Mounting Bracket (Item 4) and loosely secure it to the rocker panel using the provided hardware: (2) M8 hex head bolt, (2) M8 lock washer, and (2) M8 flat washer. See **Figure 2** for reference.
5. Repeat **Steps 3 & 4** for the passenger bracket mounting locations. See **Page 3** for bracket orientation and location.



6. For the Outlaw Step Board installation, use the supplied M10 hardware to secure the assembly to the previously installed mounting brackets. See **Figure 3** for reference.
7. Align and adjust the step bars and brackets as needed, then fully tighten all hardware: M8 to 15-18 ft-lbs, M10 to 35-38 ft-lbs.





INSTALLATION COMPLETE



**Care Instructions**

- REGULAR WAXING IS RECOMMENDED. DO NOT USE ANY TYPE OF POLISH OR WAX THAT MAY CONTAIN ABRASIVES.
- STAINLESS STEEL PRODUCTS CAN BE CLEANED WITH MILD SOAP AND WATER. STAINLESS STEEL POLISH SHOULD BE USED TO POLISH SMALL SCRATCHES.
- GLOSS BLACK FINISHES SHOULD BE CLEANED WITH MILD SOAP AND WATER.

**WESTIN** Westin Automotive Products, Inc.  
320 W. Covina Blvd  
San Dimas, Ca. 91773

Thank you for choosing Westin products  
for additional installation assistance please call  
Customer Service (800) 793-7846  
[www.westinautomotive.com](http://www.westinautomotive.com)  
DATE: 01/18/22



## WARNING



Failure to follow these instructions could lead to death, personal injury, and / or property damage.

Failure to follow these instructions could lead to death, personal injury, and / or property damage.

### FASTENERS:

All Westin supplied fasteners must be utilized and installed in accordance with the installation instructions and apply torque to the specifications as defined. **DOUBLE CHECK ALL FASTENERS BEFORE INITIAL USE, AND PERIODICALLY IN THE FUTURE TO ENSURE PROPER FUNCTION AND SAFETY.**

### DRILLING:

Most Westin products do not require drilling for installation. If drilling is defined as required, use caution when drilling a vehicle. **FAILURE TO REVIEW AN AREA TO BE DRILLED MAY RESULT IN PERSONAL INJURY AND/OR INJURY TO OTHERS AS WELL AS VEHICLE DAMAGE.**

### EYE PROTECTION:

**ALWAYS WEAR SAFETY GLASSES OR GOGGLES DURING THE INSTALLATION PROCESS TO AVOID PERSONAL INJURY.**

### MAXIMUM TOWING/CARRYING CAPACITY: (if applicable)

The Westin Receiver Hitches will have a visible tow rating label affixed directly on the product. User should never exceed the vehicle manufacturers maximum tow and weight rating regardless of the capacity of the hitch. **FAILURE TO FOLLOW THESE GUIDELINES WILL VOID THE WESTIN WARRANTY AND MAY RESULT IN PERSONAL INJURY AND/OR INJURY TO OTHERS AS WELL AS VEHICLE DAMAGE.**

### FOR CALIFORNIA RESIDENTS ONLY-PROP 65 WARNING:

Some products may contain chemicals such as DEHP, which can cause cancer, birth defects or other reproductive harm. For more info go to [www.p65warnings.ca.gov](http://www.p65warnings.ca.gov)



Westin Automotive Products, Inc.  
320 W. Covina Blvd  
San Dimas, Ca. 91773