

INSTALLATION INSTRUCTIONS

OUTLAW NERF DROP STEPS



APPLICATION:

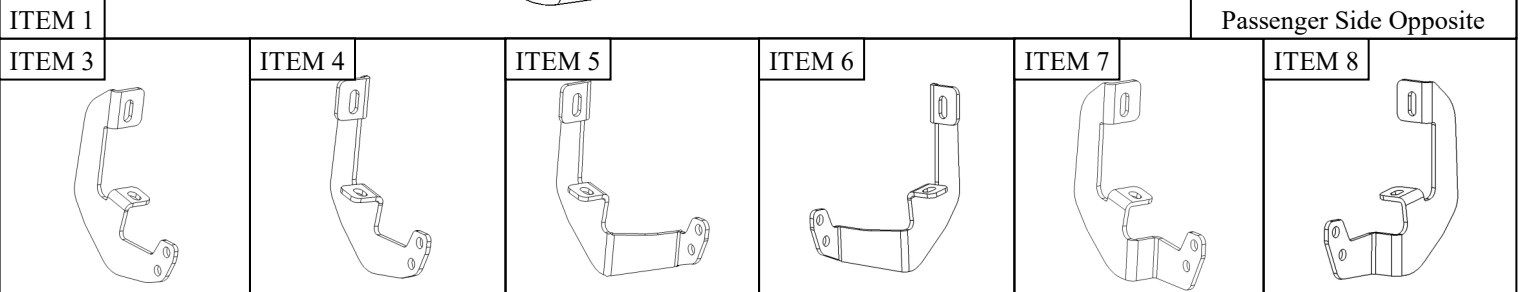
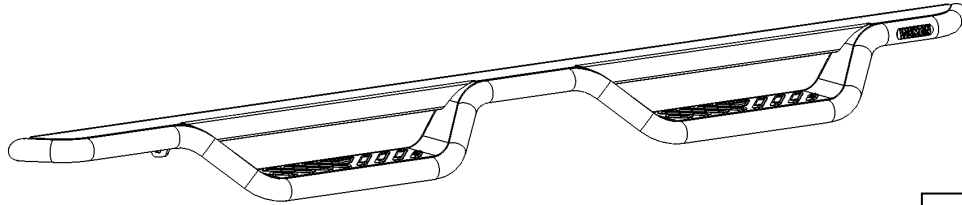
2019-2022 Chevrolet Silverado / GMC Sierra 1500 Double Cab (Excl. 2019 Silverado LD / Sierra 1500 Limited);
2020-2022 Chevrolet Silverado / GMC Sierra 2500/3500 Double Cab

PART NUMBER:

20-14125

ITEM	QUANTITY	DESCRIPTION	TOOLS NEEDED
1, 2	2	OUTLAW STEP BAR ASSEMBLY (1 DRIVER, 1 PASSENGER)	10MM SOCKET
3	1	FRONT DRIVER SIDE MOUNTING BRACKET	13MM SOCKET
4	1	FRONT PASSENGER SIDE MOUNTING BRACKET	13MM WRENCH
5	1	CENTER DRIVER SIDE MOUNTING BRACKET	17MM SOCKET
6	1	CENTER PASSENGER SIDE MOUNTING BRACKET	17MM WRENCH
7	1	REAR DRIVER SIDE MOUNTING BRACKET	RATCHET
8	1	REAR PASSENGER SIDE MOUNTING BRACKET	TORQUE WRENCH
9	12	M8 HEX HEAD BOLT	
10	12	M8 SPLIT LOCK WASHER	
11	12	M8 FLAT WASHER	
12	12	M10 SERRATED FLANGE HEX HEAD BOLT	
13	12	M10 SERRATED FLANGE NUT	

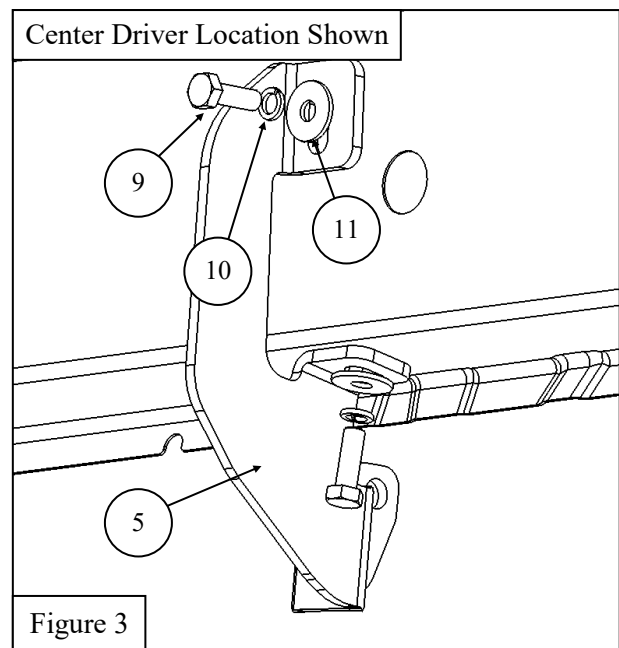
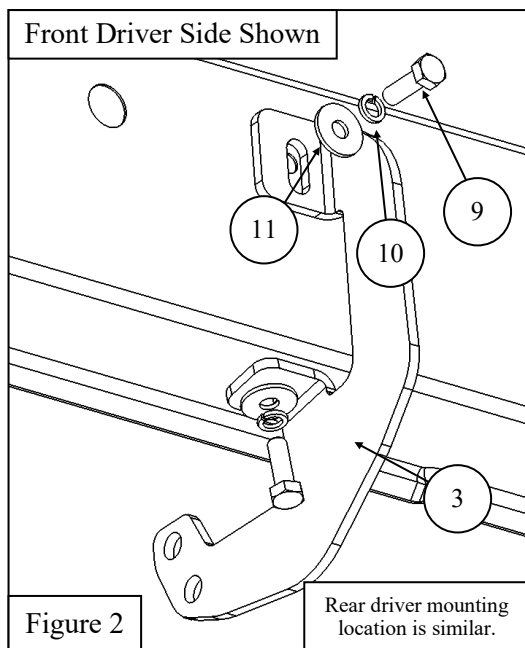
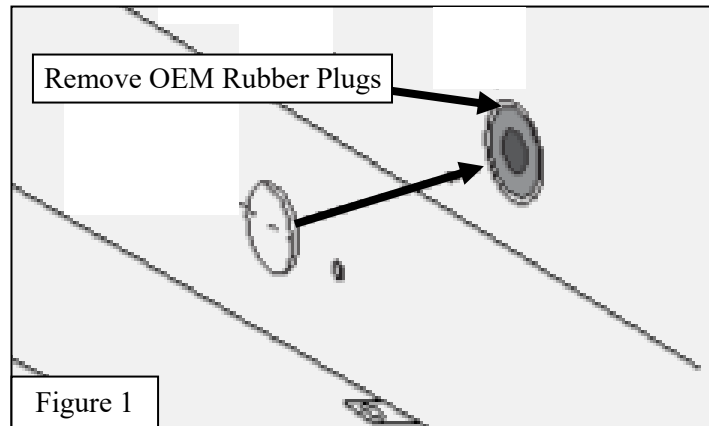
ANTI-SEIZE LUBRICANT MUST BE USED ON ALL STAINLESS STEEL FASTENERS TO PREVENT THREAD DAMAGE AND GALLING



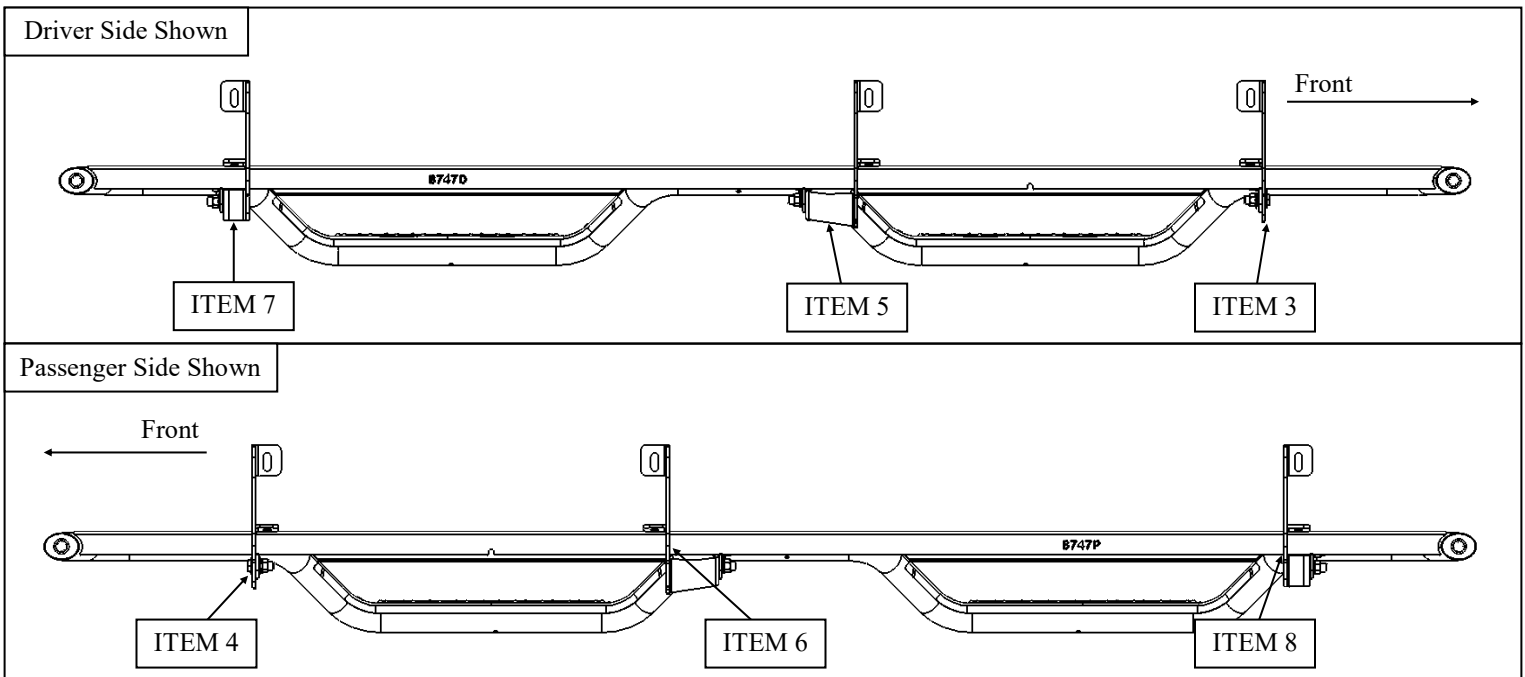
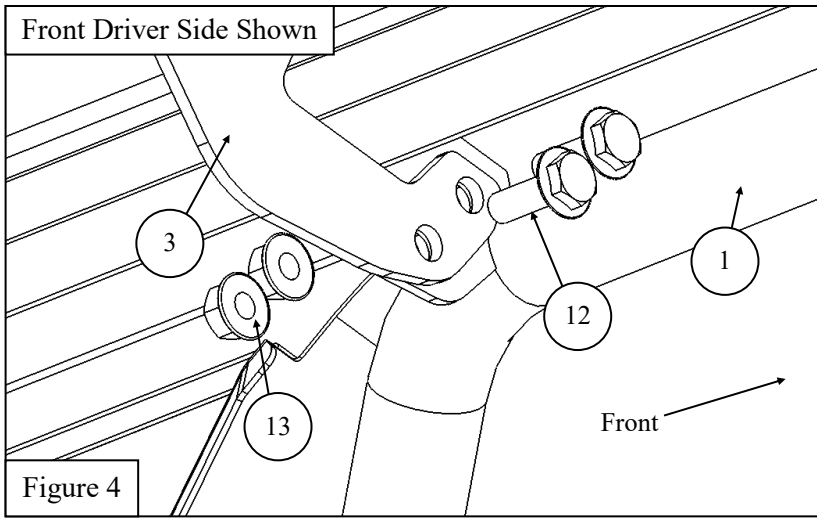
PROCEDURE

1. Remove contents from box, verify if all parts listed are present and free from damage. Carefully read and understand all instructions before attempting installation.
Failure to identify damage before installation could lead to a rejection of any claim.

2. Locate the mount locations on the rocker panel of the vehicle. Remove the OEM rubber plugs covering the threaded holes at each mounting location. See **Figure 1** for reference.
3. Locate (1) Front Driver Mounting Bracket (Item 3) and loosely secure it to the rocker panel using the provided M8 hardware. See **Figure 2** for reference. **Note:** *If threaded holes are not on the vehicles rocker panel, remove the rubber plugs located on the rocker panel at each mounting location and insert nut clips.*
4. Locate (1) Center Driver Mounting Bracket (Item 5). Loosely secure the bracket to the rocker panel using the provided M8 hardware. See **Figure 3** for reference.
5. Repeat **Steps 2 through 4** for the mounting locations on the other side of the vehicle. See **Page 3** for bracket orientation and locations.



6. For the Outlaw Step Bar installation, use the supplied M10 hardware to secure the assembly to the previously installed mounting brackets. See **Figure 4** for reference.
7. Align and adjust the drop step assemblies and brackets as necessary, then fully tighten and torque all hardware as specified: M8 hardware to 15-18 ft-lbs., M10 hardware to 35-38 ft-lbs.



INSTALLATION COMPLETE



Care Instructions

- REGULAR WAXING IS RECOMMENDED. DO NOT USE ANY TYPE OF POLISH OR WAX THAT MAY CONTAIN ABRASIVES.
- STAINLESS STEEL PRODUCTS CAN BE CLEANED WITH MILD SOAP AND WATER. STAINLESS STEEL POLISH SHOULD BE USED TO POLISH SMALL SCRATCHES.
- GLOSS BLACK FINISHES SHOULD BE CLEANED WITH MILD SOAP AND WATER.

WESTIN Westin Automotive Products, Inc.
320 W. Covina Blvd
San Dimas, Ca. 91773

P.N.: 75-2014125-RevA

ECO #: W22-0062

Thank you for choosing Westin products
for additional installation assistance please call
Customer Service (800) 793-7846
www.westinautomotive.com

DATE: 06/07/2022



WARNING



Failure to follow these instructions could lead to death, personal injury, and / or property damage.

Failure to follow these instructions could lead to death, personal injury, and / or property damage.

FASTENERS:

All Westin supplied fasteners must be utilized and installed in accordance with the installation instructions and apply torque to the specifications as defined. **DOUBLE CHECK ALL FASTENERS BEFORE INITIAL USE, AND PERIODICALLY IN THE FUTURE TO ENSURE PROPER FUNCTION AND SAFETY.**

DRILLING:

Most Westin products do not require drilling for installation. If drilling is defined as required, use caution when drilling a vehicle. **FAILURE TO REVIEW AN AREA TO BE DRILLED MAY RESULT IN PERSONAL INJURY AND/OR INJURY TO OTHERS AS WELL AS VEHICLE DAMAGE.**

EYE PROTECTION:

ALWAYS WEAR SAFETY GLASSES OR GOGGLES DURING THE INSTALLATION PROCESS TO AVOID PERSONAL INJURY.

MAXIMUM TOWING/CARRYING CAPACITY: (if applicable)

The Westin Receiver Hitches will have a visible tow rating label affixed directly on the product. User should never exceed the vehicle manufacturers maximum tow and weight rating regardless of the capacity of the hitch. **FAILURE TO FOLLOW THESE GUIDELINES WILL VOID THE WESTIN WARRANTY AND MAY RESULT IN PERSONAL INJURY AND/OR INJURY TO OTHERS AS WELL AS VEHICLE DAMAGE.**

FOR CALIFORNIA RESIDENTS ONLY-PROP 65 WARNING:

Some products may contain chemicals such as DEHP, which can cause cancer, birth defects or other reproductive harm. For more info go to www.p65warnings.ca.gov



Westin Automotive Products, Inc.
320 W. Covina Blvd
San Dimas, Ca. 91773