

INSTALLATION INSTRUCTIONS

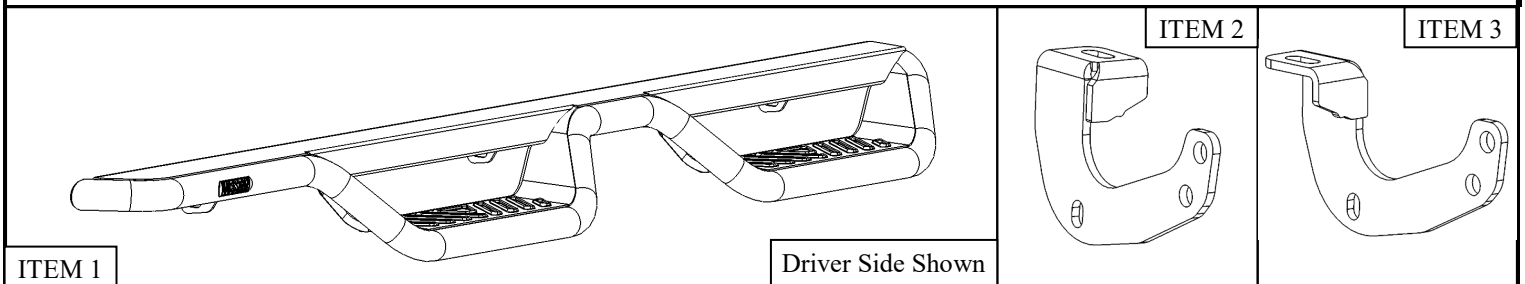
OUTLAW NERF DROP STEPS

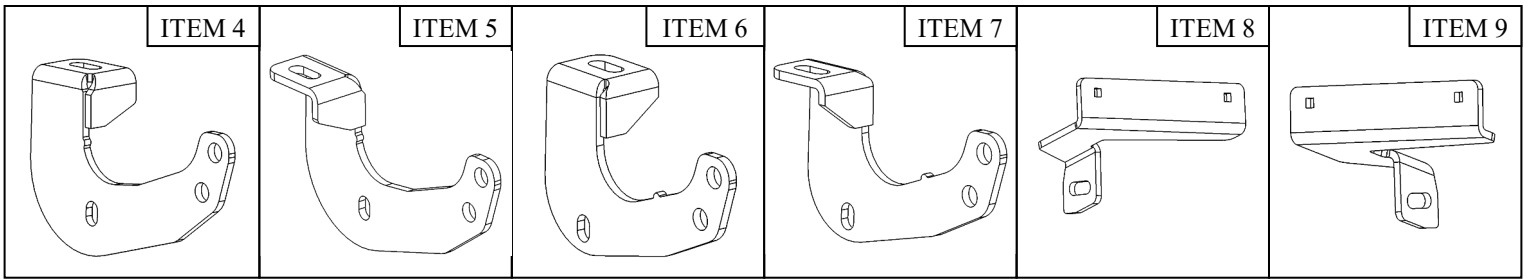


APPLICATION:
Jeep Wrangler JL Unlimited 4-Door 2018-2022
PART NUMBER:
20-14065

CONTENT			
ITEM	QUANTITY	DESCRIPTION	TOOLS NEEDED
1	2	OUTLAW STEP BAR (1 DRIVER, 1 PASSENGER)	10MM SOCKET
2	1	DRIVER SIDE FRONT MOUNTING BRACKET	13MM SOCKET
3	1	PASSENGER SIDE FRONT MOUNTING BRACKET	13MM WRENCH
4	1	DRIVER SIDE CENTER MOUNTING BRACKET	15MM SOCKET
5	1	PASSENGER SIDE CENTER MOUNTING BRACKET	15MM WRENCH
6	1	DRIVER SIDE REAR MOUNTING BRACKET	SOCKET EXT.
7	1	PASSENGER SIDE REAR MOUNTING BRACKET	ALLEN WRENCH
8	3	DRIVER SIDE SUPPORT BRACKET	TORQUE WRENCH
9	3	PASSENGER SIDE SUPPORT BRACKET	RATCHET
10	12	M10 SERRATED FLANGE HEX HEAD BOLT	
11	12	M10 SERRATED FLANGE HEX NUT	
12	6	M8 U-NUT	
13	12	M8 HEX HEAD BOLT	
14	12	M8 SPLIT LOCK WASHER	
15	18	M8 FLAT WASHER	
16	6	M8 HEX NUT	
17	12	M6 CARRIAGE BOLT	
18	12	M6 SPLIT LOCK WASHER	
19	12	M6 FLAT WASHER	
20	12	M6 HEX NUT	

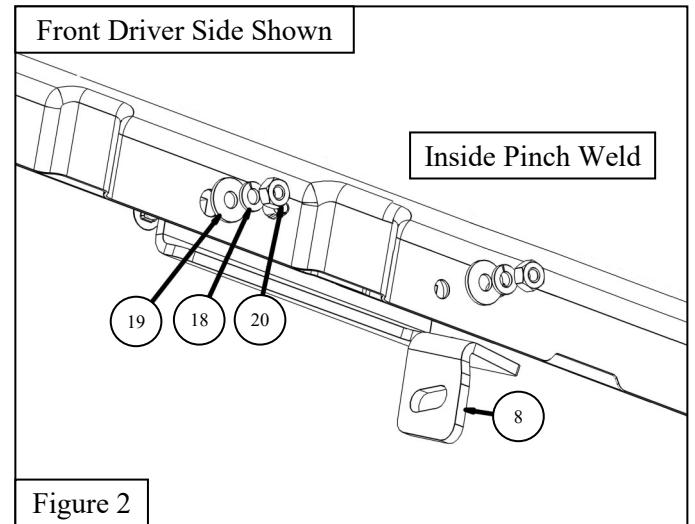
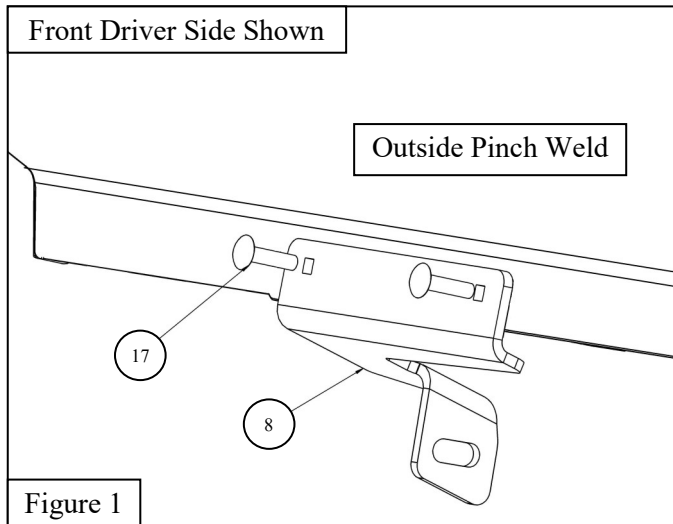
ANTI-SEIZE LUBRICANT MUST BE USED ON ALL STAINLESS STEEL FASTENERS TO PREVENT THREAD DAMAGE AND GALLING



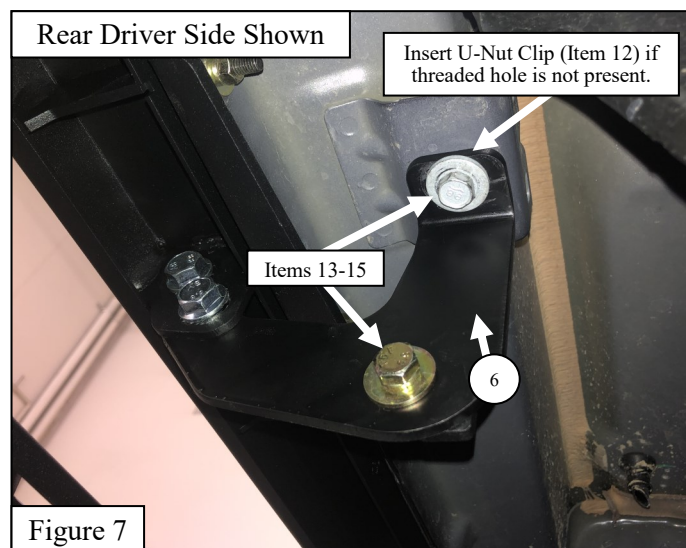
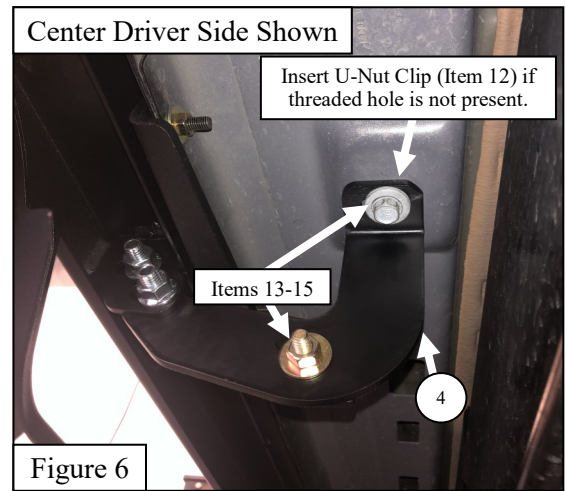
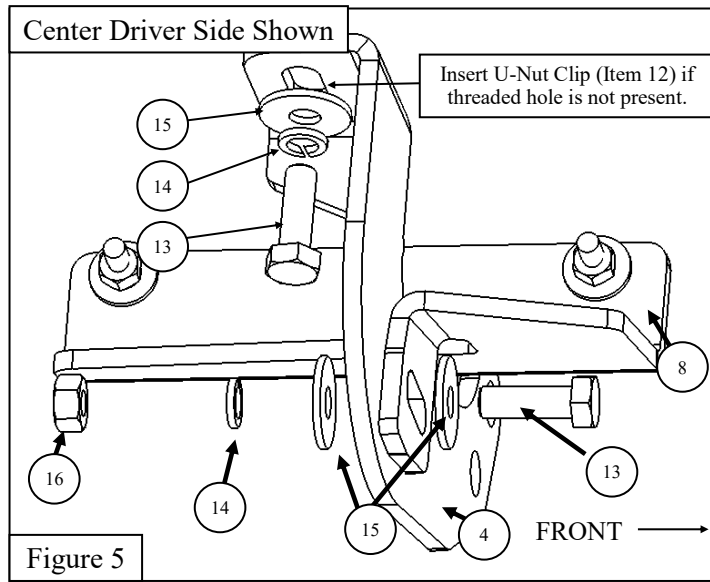
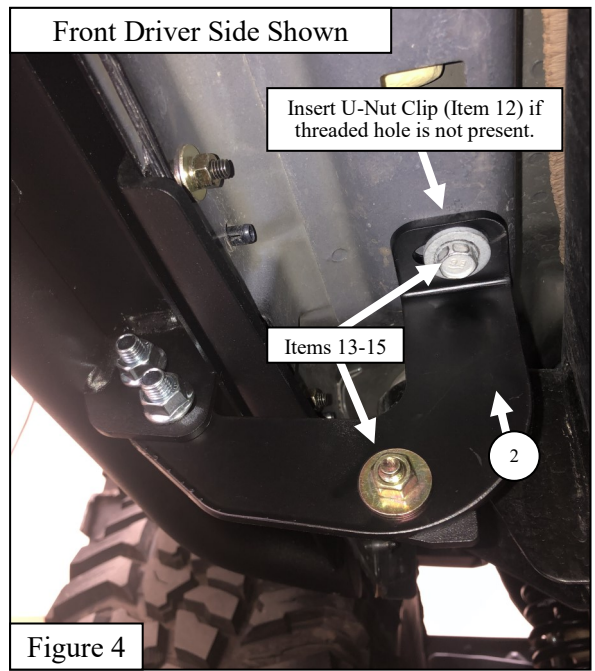
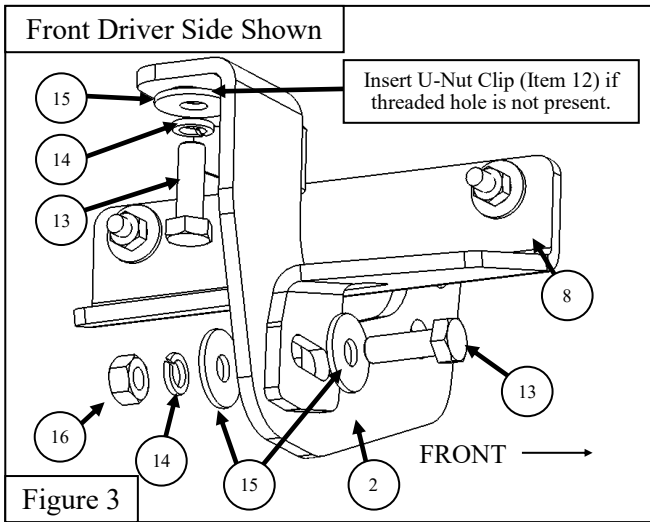


PROCEDURE

1. Remove contents from box, verify if all parts listed are present and free from damage. Carefully read and understand all instructions before attempting installation. **Failure to identify damage before installation could lead to a rejection of any claim.**
2. Starting at the front mounting location on the driver's side, locate (1) Driver Support Bracket (item 8), and loosely secure the brackets using the supplied M6 hardware (items 17-20) as shown in **Figures 1 & 2**.
3. Repeat **Step 2** for the center and rear mounting locations on the driver's side.



4. Locate the Driver Side Front Mounting Bracket (item 2) and loosely it to the corresponding mounting locations using the supplied M8 hardware (items 13-16). See **Figures 3 & 4** for reference. **Note:** *If a threaded hole is not present use the supplied M8 U-Nut Clip (Item 12) for the mounting location.*
5. Locate the Driver Side Center & Rear Mounting Brackets (items 4 & 6) and loosely secure them to the center and rear mounting locations. See **Figures 5 - 7** for reference.
6. Repeat **Steps 2 - 5** for the passenger side mounting locations. **Note:** *See Figures 8 & 9 for the correct bracket orientation.*



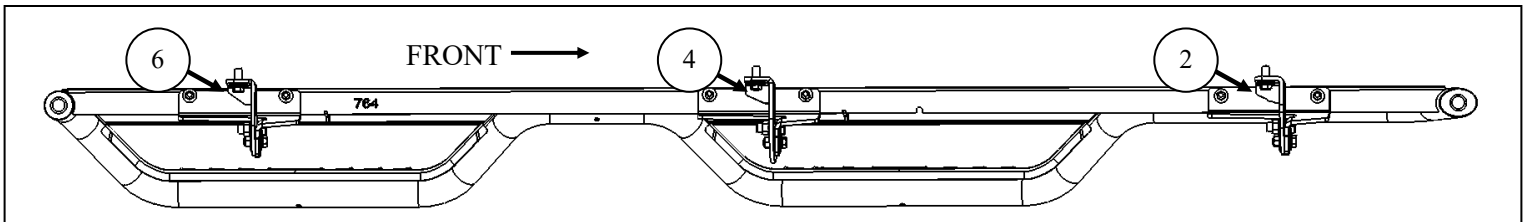


Figure 8

Driver Side Shown

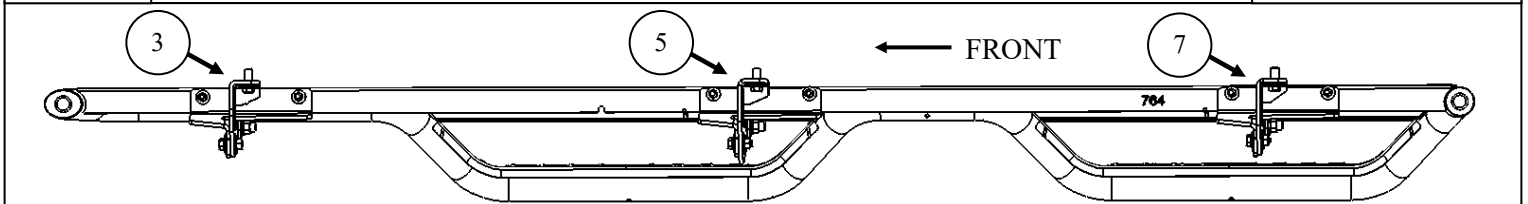


Figure 9

Passenger Side Shown

7. Install the Outlaw Step Bars (item 1) using the supplied M10 hardware (items 10-11). See **Figure 10**.
8. Align and adjust the steps bars as needed. Tighten and torque all hardware as specified: M6 hardware to 7-8 ft-lbs, M8 hardware to 15-18 ft-lbs, and M10 hardware to 35-38 ft-lbs.

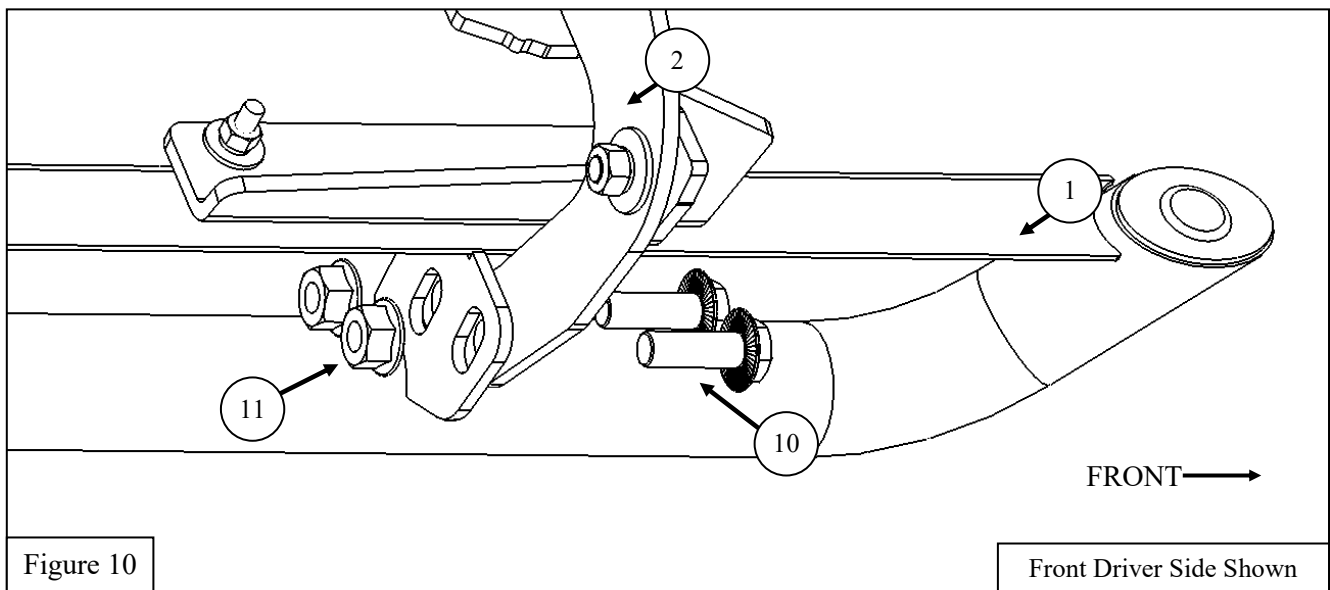


Figure 10

Front Driver Side Shown

INSTALLATION COMPLETE



CARE INSTRUCTIONS

- REGULAR WAXING IS RECOMMENDED. DO NOT USE ANY TYPE OF POLISH OR WAX THAT MAY CONTAIN ABRASIVES
- STAINLESS STEEL PRODUCTS CAN BE CLEANED WITH MILD SOAP AND WATER. STAINLESS STEEL POLISH SHOULD BE USED TO POLISH SMALL SCRATCHES.
- GLOSS BLACK FINISHES SHOULD BE CLEANED WITH MILD SOAP AND WATER

WESTIN Westin Automotive Products, Inc.
320 W. Covina Blvd
San Dimas, Ca. 91773

P.N.: 75-2014065-RevA

ECO #: W21-0076

5

Thank you for choosing Westin products
for additional installation assistance please call
Customer Service (800) 793-7846

www.westinautomotive.com

DATE: 3/21/2022



WARNING



Failure to follow these instructions could lead to death, personal injury, and / or property damage.

Failure to follow these instructions could lead to death, personal injury, and / or property damage.

FASTENERS:

All Westin supplied fasteners must be utilized and installed in accordance with the installation instructions and apply torque to the specifications as defined. **DOUBLE CHECK ALL FASTENERS BEFORE INITIAL USE, AND PERIODICALLY IN THE FUTURE TO ENSURE PROPER FUNCTION AND SAFETY.**

DRILLING:

Most Westin products do not require drilling for installation. If drilling is defined as required, use caution when drilling a vehicle. **FAILURE TO REVIEW AN AREA TO BE DRILLED MAY RESULT IN PERSONAL INJURY AND/OR INJURY TO OTHERS AS WELL AS VEHICLE DAMAGE.**

EYE PROTECTION:

ALWAYS WEAR SAFETY GLASSES OR GOGGLES DURING THE INSTALLATION PROCESS TO AVOID PERSONAL INJURY.

MAXIMUM TOWING/CARRYING CAPACITY: (if applicable)

The Westin Receiver Hitches will have a visible tow rating label affixed directly on the product. User should never exceed the vehicle manufacturers maximum tow and weight rating regardless of the capacity of the hitch. **FAILURE TO FOLLOW THESE GUIDELINES WILL VOID THE WESTIN WARRANTY AND MAY RESULT IN PERSONAL INJURY AND/OR INJURY TO OTHERS AS WELL AS VEHICLE DAMAGE.**

FOR CALIFORNIA RESIDENTS ONLY-PROP 65 WARNING:

Some products may contain chemicals such as DEHP, which can cause cancer, birth defects or other reproductive harm. For more info go to www.p65warnings.ca.gov



Westin Automotive Products, Inc.
320 W. Covina Blvd
San Dimas, Ca. 91773