

# INSTALLATION INSTRUCTIONS

## OUTLAW NERF DROP STEPS



### APPLICATION:

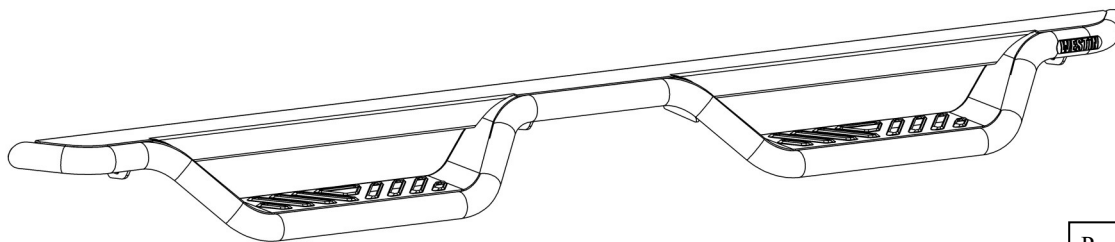
2015-2022 Chevrolet/GMC Colorado/Canyon Crew Cab

### PART NUMBER:

20-14015

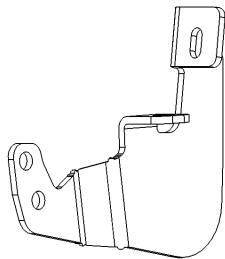
CONTENT			
ITEM	QUANTITY	DESCRIPTION	TOOLS NEEDED
1	2	OUTLAW STEP BAR ASSEMBLY (1 DRIVER, 1 PASSENGER)	13MM SOCKET
2	4	MOUNTING BRACKET A	13MM WRENCH
3	4	MOUNTING BRACKET B	15MM SOCKET
4	16	M8 U-NUT CLIP	15MM WRENCH
5	16	M8 HEX HEAD BOLT	RATCHET
6	16	M8 SPLIT LOCK WASHER	TORQUE WRENCH
7	16	M8 FLAT WASHER	SOCKET EXT.
8	16	M10 SERRATED FLANGE BOLT	
9	16	M10 SERRATED FLANGE HEX NUT	

**ANTI-SEIZE LUBRICANT MUST BE USED ON ALL STAINLESS STEEL FASTENERS TO PREVENT THREAD DAMAGE AND GALLING**

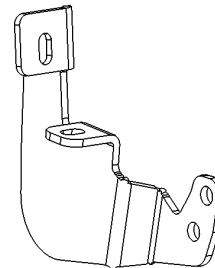


ITEM 1

Passenger Side Opposite



ITEM 3



ITEM 4

### PROCEDURE

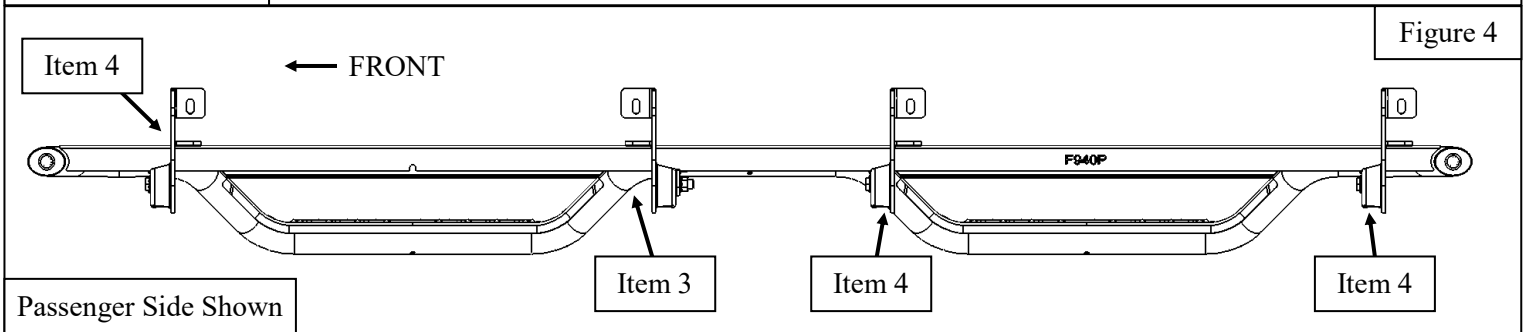
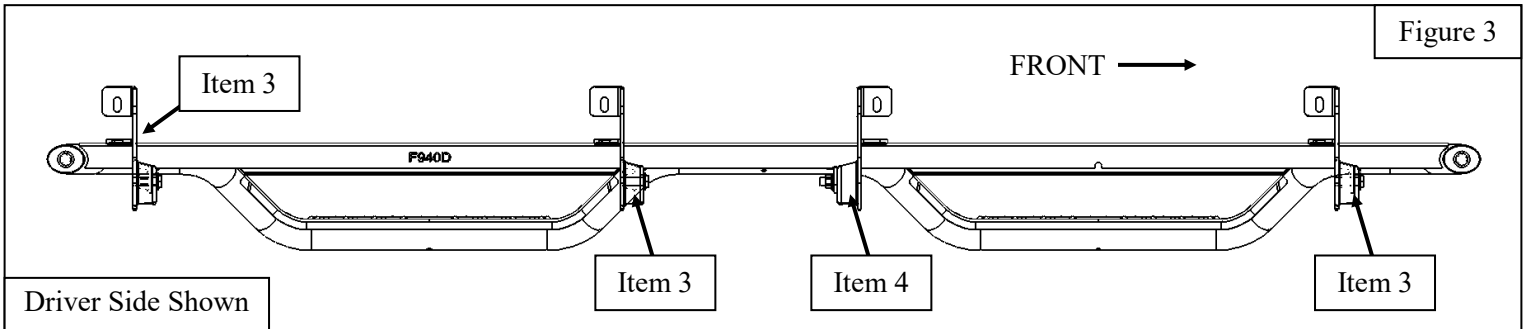
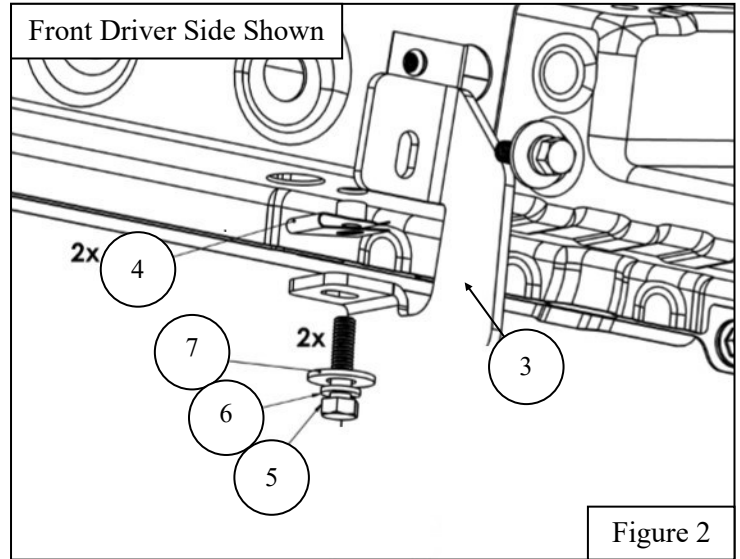
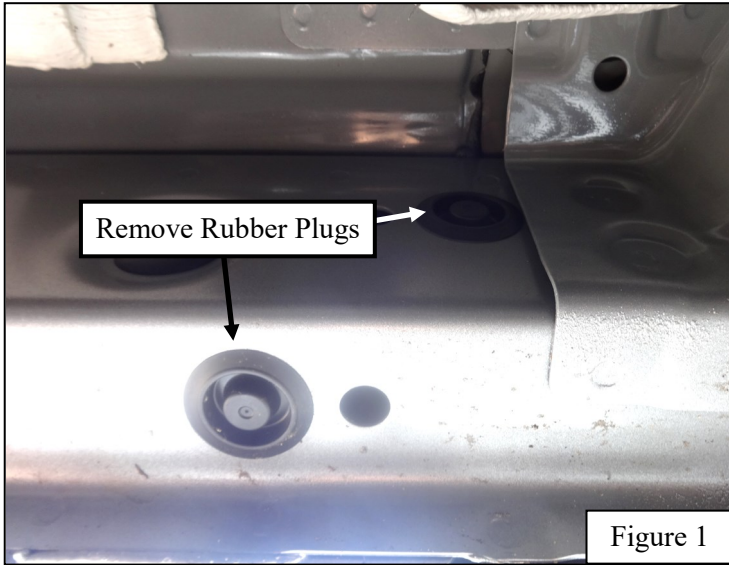
1. Remove contents from box, verify if all parts listed are present and free from damage.  
Carefully read and understand all instructions before attempting installation.  
**Failure to identify damage before installation could lead to a rejection of any claim.**



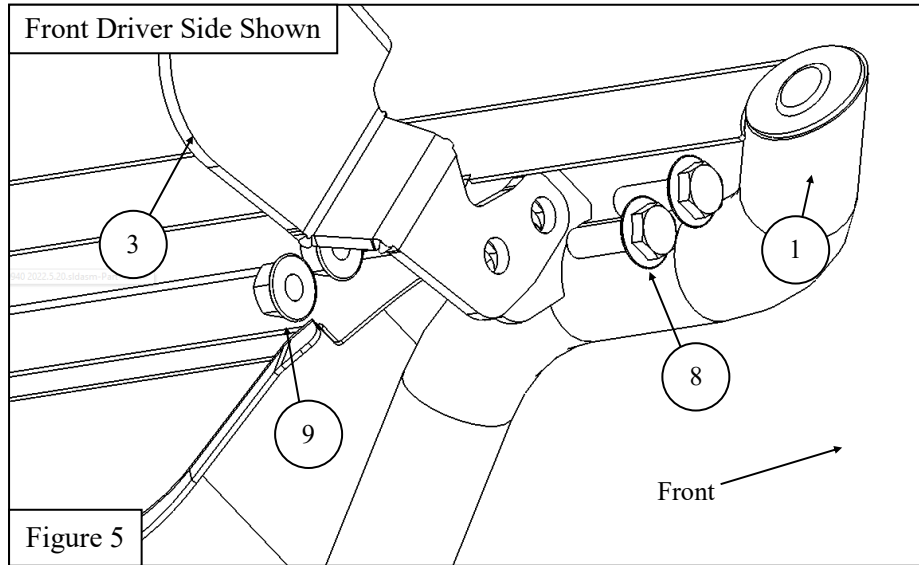
Westin Automotive Products, Inc.  
320 W. Covina Blvd  
San Dimas, Ca. 91773

Thank you for choosing Westin products  
for additional installation assistance please call  
Customer Service (800) 793-7846  
[www.westinautomotive.com](http://www.westinautomotive.com)

2. Locate and remove the rubber plugs on the rocker panel at each mounting location. See **Figure 1** for reference.
3. Locate (1) Mounting Bracket A (Item 3) and loosely secure it to the rocker panel using the provided M8 hardware. See **Figure 2** for reference. **Note:** *If threaded holes are not on the vehicles' rocker panel, remove the rubber plugs at each mounting location and insert M8 nut clips.*
4. Repeat **Step 3** for every other bracket mounting location. See **Figures 3 & 4** for bracket orientation and locations.



5. For the Outlaw Nerf Drop Step installation, use the supplied M10 hardware to secure the assembly to the previously installed mounting brackets. See **Figure 5** for reference.
6. Align and adjust the drop step assemblies and mounting brackets as necessary. Fully tighten and torque all hardware as specified: M8 hardware to 15-18 ft-lbs., M10 hardware to 35-38 ft-lbs.



**INSTALLATION COMPLETE**



**Care Instructions**

- REGULAR WAXING IS RECOMMENDED. DO NOT USE ANY TYPE OF POLISH OR WAX THAT MAY CONTAIN ABRASIVES.
- STAINLESS STEEL PRODUCTS CAN BE CLEANED WITH MILD SOAP AND WATER. STAINLESS STEEL POLISH SHOULD BE USED TO POLISH SMALL SCRATCHES..
- GLOSS BLACK FINISHES SHOULD BE CLEANED WITH MILD SOAP AND WATER.



## WARNING



Failure to follow these instructions could lead to death, personal injury, and / or property damage.

Failure to follow these instructions could lead to death, personal injury, and / or property damage.

### FASTENERS:

All Westin supplied fasteners must be utilized and installed in accordance with the installation instructions and apply torque to the specifications as defined. **DOUBLE CHECK ALL FASTENERS BEFORE INITIAL USE, AND PERIODICALLY IN THE FUTURE TO ENSURE PROPER FUNCTION AND SAFETY.**

### DRILLING:

Most Westin products do not require drilling for installation. If drilling is defined as required, use caution when drilling a vehicle. **FAILURE TO REVIEW AN AREA TO BE DRILLED MAY RESULT IN PERSONAL INJURY AND/OR INJURY TO OTHERS AS WELL AS VEHICLE DAMAGE.**

### EYE PROTECTION:

**ALWAYS WEAR SAFETY GLASSES OR GOGGLES DURING THE INSTALLATION PROCESS TO AVOID PERSONAL INJURY.**

### MAXIMUM TOWING/CARRYING CAPACITY: (if applicable)

The Westin Receiver Hitches will have a visible tow rating label affixed directly on the product. User should never exceed the vehicle manufacturers maximum tow and weight rating regardless of the capacity of the hitch. **FAILURE TO FOLLOW THESE GUIDELINES WILL VOID THE WESTIN WARRANTY AND MAY RESULT IN PERSONAL INJURY AND/OR INJURY TO OTHERS AS WELL AS VEHICLE DAMAGE.**

### FOR CALIFORNIA RESIDENTS ONLY-PROP 65 WARNING:

Some products may contain chemicals such as DEHP, which can cause cancer, birth defects or other reproductive harm. For more info go to [www.p65warnings.ca.gov](http://www.p65warnings.ca.gov)



Westin Automotive Products, Inc.  
320 W. Covina Blvd  
San Dimas, Ca. 91773