



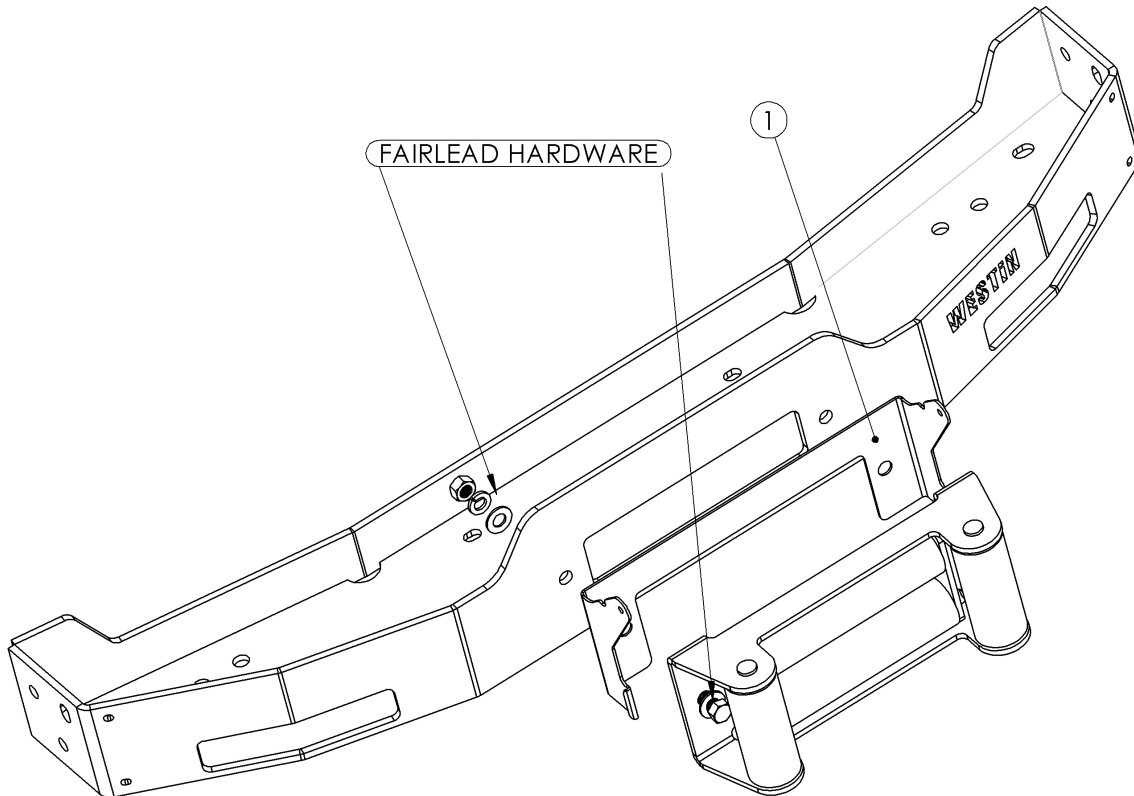
AUTOMOTIVE PRODUCTS, INC.

INSTRUCTIONS

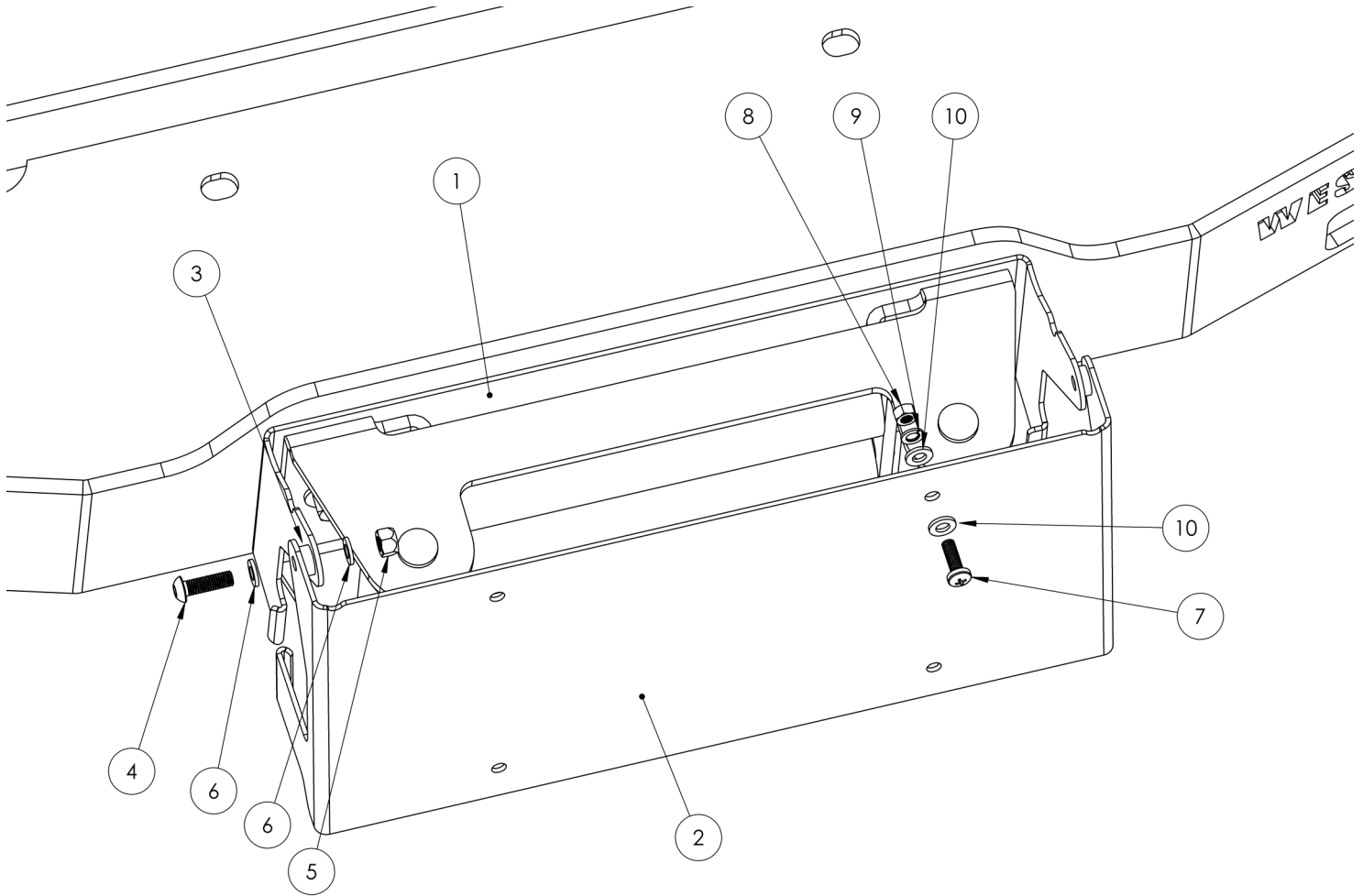
APP PART # 46-20055
FLIP-UP WINCH TRAY LICENSE RELOCATOR

ITEM	QUANTITY	DESCRIPTION	TOOLS NEEDED
1	1	TRAY SIDE MOUNTING BRACKET	10MM WRENCH
2	1	LICENSE SIDE MOUNTING BRACKET	8MM WRENCH
3	2	NYLON SPACER	16MM WRENCH
4	2	M6 BUTTON HEAD BOLT (STAINLESS)	ALLEN KEY (INCLUDED)
5	2	M6 NYLOCK NUT (STAINLESS)	PHILLIPS SCREWDRIVER
6	4	M6 FLAT WASHER (STAINLESS)	
7	2	M5 PHIL PAN SCREW (STAINLESS)	
8	2	M5 HEX NUT (STAINLESS)	
9	2	M5 LOCK WASHER (STAINLESS)	
10	4	M5 FLAT WASHER (STAINLESS)	

1. Remove contents from box, verify if all parts listed are present and free from damage. Carefully read and understand all instructions before attempting installation. **Anti-seize lubricant must be used on all stainless steel fasteners to prevent thread galling.**
2. Remove the fasteners attaching the fairlead to the winch tray.
3. Slip the Tray Side Mounting Bracket between fairlead and the winch tray. Re-attach the fairlead using the fairlead manufacturer's hardware. Adjust the fairlead and Tray Side Mounting Bracket as necessary then torque the fairlead hardware per the fairlead manufacturer's instructions.



4. Insert the Nylon Spacers between the Tray Side Mounting Bracket and the License Side Mounting Bracket. Loosely attach the License Side Mounting Bracket to the Tray Side Mounting Bracket using the supplied M6 hardware.
5. Check the swivel movement of the License Side Mounting Bracket. Tighten the M6 Nylock Nuts as necessary in order to create some resistance while allowing the bracket to swivel. The resistance will help maintain the License Side Mounting Bracket in the vertical position during winching.
6. Install the vehicle's license plate using the supplied M5 hardware.
7. Check the operation of the unit. The hooks on the passenger side of the bracket should lock when pushed in the down position. To unlock push in on the front of the License Side Bracket while simultaneously pulling on it's side.



CARE INSTRUCTIONS

- REGULAR WAXING IS RECOMMENDED. DO NOT USE ANY TYPE OF POLISH OR WAX THAT MAY CONTAIN ABRASIVES
- STAINLESS STEEL PRODUCTS CAN BE CLEANED WITH MILD SOAP AND WATER. STAINLESS STEEL POLISH SHOULD BE USED TO POLISH SMALL SCRATCHES.
- GLOSS BLACK FINISHES SHOULD BE CLEANED WITH MILD SOAP AND WATER