



SIGNATURE OF QUALITY

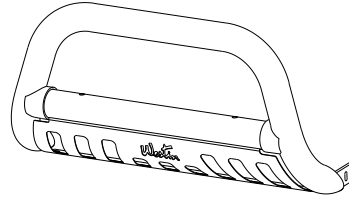
AUTOMOTIVE PRODUCTS, INC.

# INSTRUCTIONS

APPLICATION: 2005-UP TOYOTA TACOMA

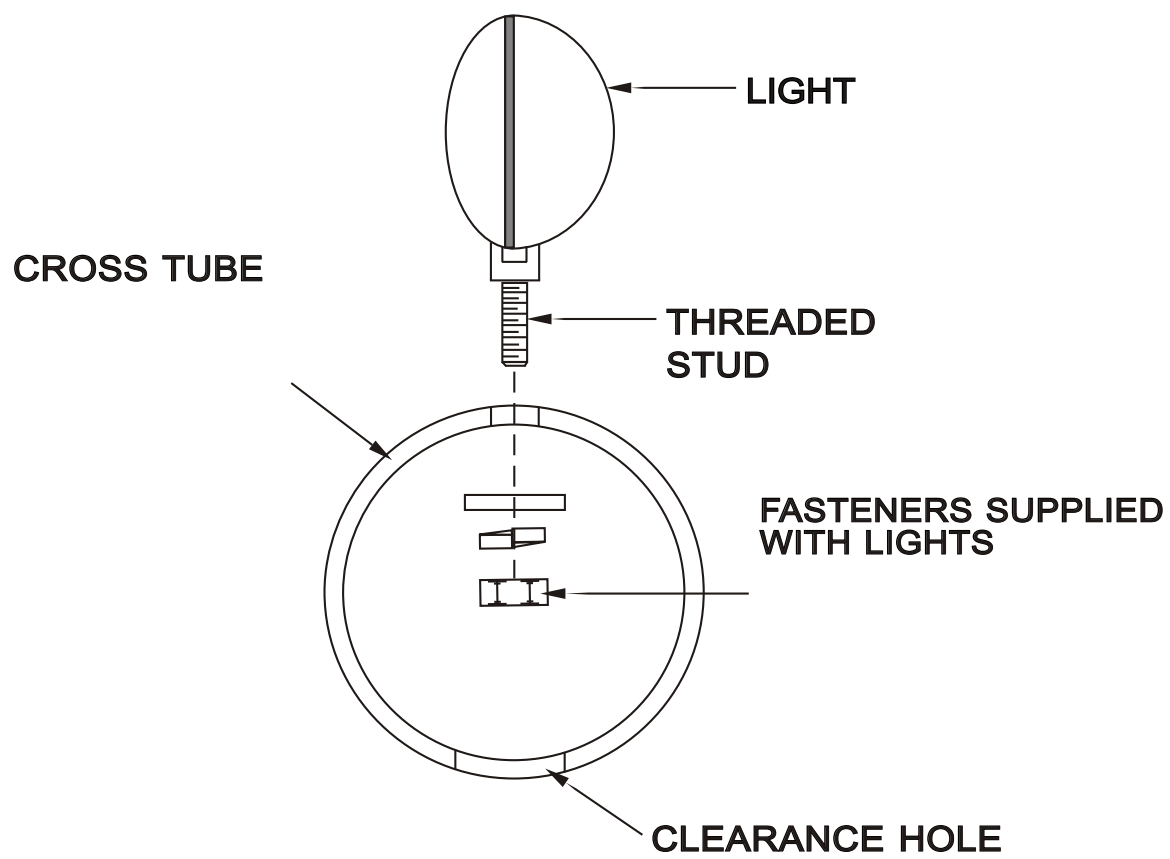
BULL BAR ASSEMBLY

32-1600  
32-1605



ITEM	QTY	CONTENTS	TOOLS
1	1	BULL BAR ASSEMBLY	9/16" SOCKET
2	2	BRACKET, PASSENGER AND DRIVER	9/16" WRENCH
3	2	PLASTIC PLUG	17MM SOCKET
4	4	RUBBER BUMPER	14MM DEEP SOCKET
5	2	3/8-16 X 4.50" HEX HEAD BOLT	RATCHET
6	4	3/8-16 X 1.25" HEX HEAD BOLT, BLACK	TORQUE WRENCH
7	8	3/8" SAE FLAT WASHER, BLACK	
8	4	3/8" LOCK WASHER, BLACK	
9	4	3/8-16 HEX NUT, BLACK	
10	2	3/8" SAE FLAT WASHER	
11	2	3/8" USS FLAT WASHER	
12	2	3/8" LOCK WASHER	
13	2	3/8-16 HEX NUT	
14	4	SPACER WASHER	

- STEP 1. Remove the contents from box and check for damage. Verify all parts are present. Read instructions completely before beginning.
- STEP 2. **NOTE:** It may be necessary to remove/relocate front license plate and license plate bracket. It is not required, but strongly recommended. If local/state laws requires a license plate, license plate relocation kit 32-0055 is available.
- STEP 3. Determine passenger and driver brackets. From underneath vehicle, remove tow hooks. Tow hooks will not be reinstalled. Locate the two studs that hold the bumper support to the frame. Remove the nuts and install mount bracket onto the studs and replace factory nuts. Insert the 3/8-16 x 4.50" bolt through the frame and into the mount bracket. Secure with 3/8" fasteners as shown. **SEE FIGURE 2.**
- STEP 4. Attach Bull Bar to brackets using 3/8" fasteners as shown. Level and adjust Bull Bar as desired. Torque 3/8" fasteners and 10mm bumper nuts to 30 FT.LBS.
- LIGHT INSTALLATION:** Insert threaded stud on base of the light through hole in cross tube. Using a ratchet, extension and socket for correct size of nut supplied, insert through large clearance hole in bottom of cross tube. Thread nut and washers on stud and tighten. **SEE FIGURE 1. NOTE:** A short socket, not a deep well works best to get the nut started.
- NOTE:** Fits most 6" round or rectangle lights. Some lights may require replacing included mount/isolator with rubber bumpers provided. Mounting stud of 1/2" or less required. Plug mount holes with caps provided if not installing lights.



**FIGURE 1 LIGHT ATTACHMENT (LIGHTS NOT INCLUDED)**

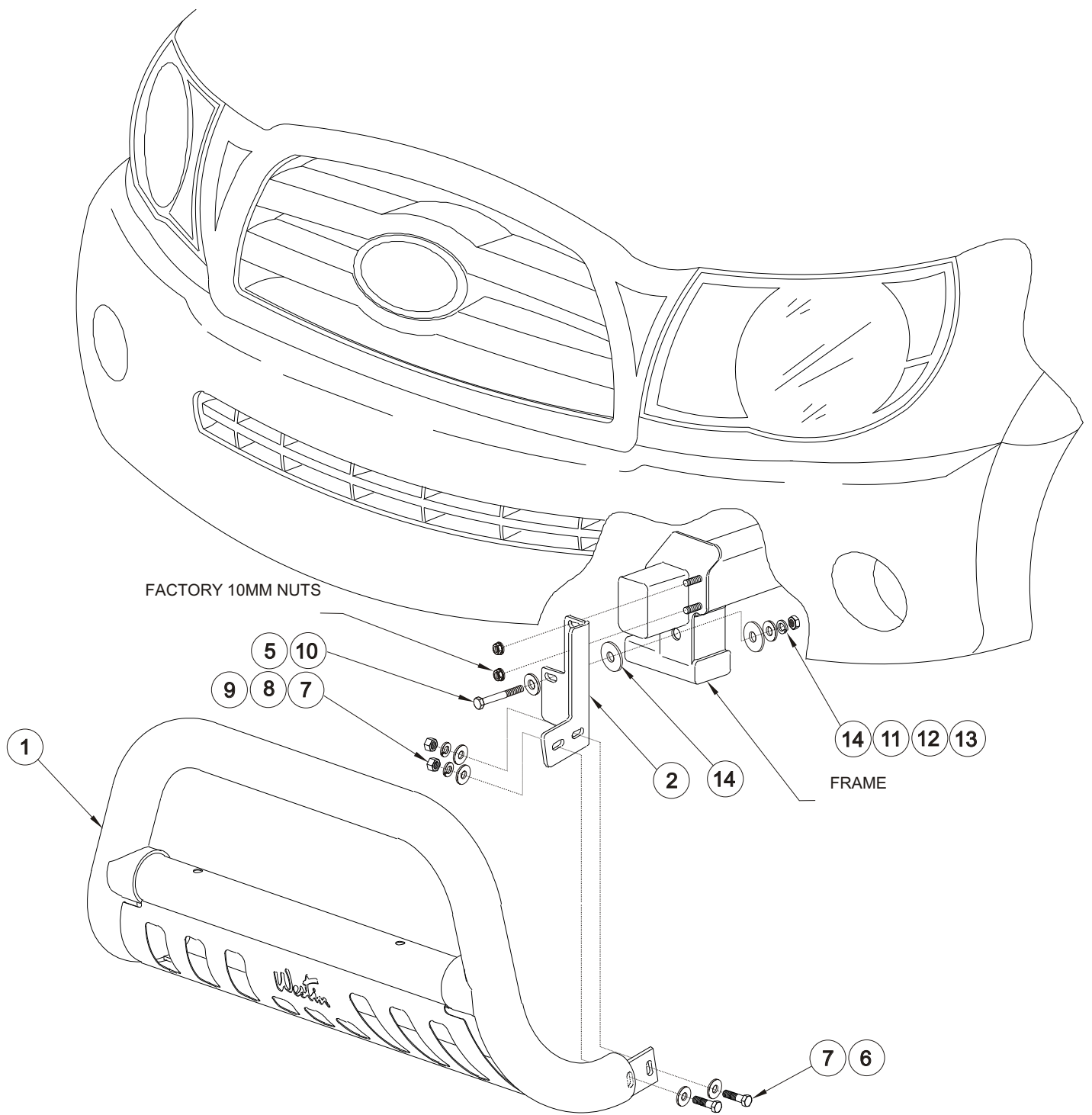


FIGURE 2 INSTALLATION VIEW OF DRIVER SIDE SHOWN, PASSENGER SIDE OPPOSITE



Learn more about grille guards and bull bars we have.