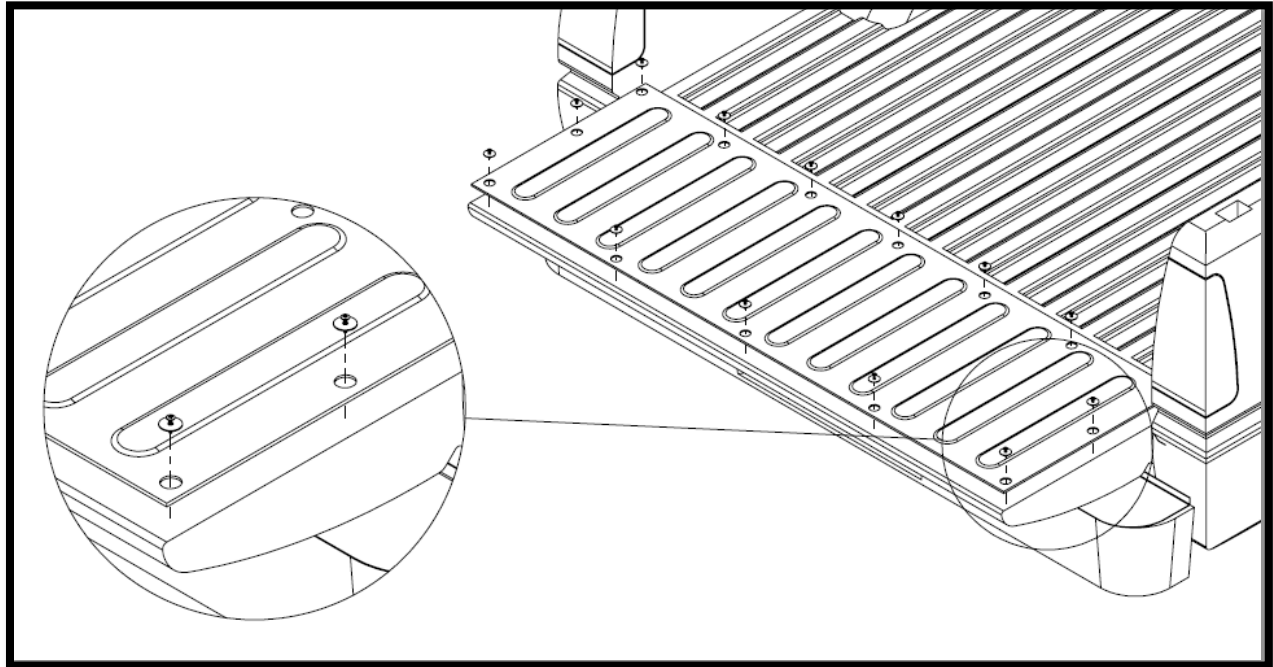


Pick Up Tailgate Mat Installation Instructions



1. Wash tailgate thoroughly with soap and water. Ensure tailgate is free of dirt and debris.
2. Place the new tailgate mat on truck tailgate and ensure the hole locations align with the raised panels in the tailgate.
3. Using a **9/64** diameter drill bit, drill a single hole through the center of a mounting pocket in the mat and into the tailgate. Remove the drill debris from the hole.
4. Insert a screw and washer through the single hole in the mat and tailgate.
5. Square up the tailgate mat if needed and double check the position of the mat on the tailgate.
6. Drill the remaining holes and remove any drill debris.
7. Insert the remaining screws and washers into the mat and tailgate.



*NOTE: The installation of your tailgate mat may **not** require using ALL 16 screws and washers that are included.*

Your new tailgate mat is highly resistant to gasoline, kerosene, fuel oil, and solvent spills as long as spills are cleaned up immediately. Any liquid spills must be removed and cleaned immediately by flushing with soapy and water.

Tailgate mats are made from 100% post-industrial recycled SBR rubber with added fiber reinforcement to improve service life and durability. Some visible cord is to be expected and does not detract from the function of the mat, nor is considered to be a defect.