



# INSTALLATION INSTRUCTIONS

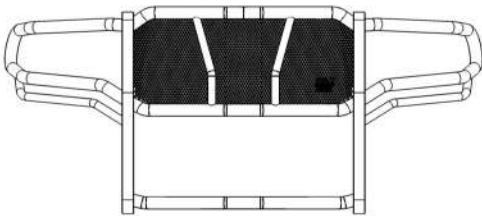
## HDX GRILLE GUARD

**APPLICATION:**  
**2019 Ram 1500**  
**PART NUMBER:**  
**57-3970, 57-3975**

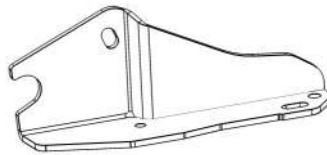
ITEM	QUANTITY	DESCRIPTION	TOOLS NEEDED
1	1	GRILLE GUARD	10MM SOCKET
2,3	2	LOWER MOUNTING BRACKET, DRIVER (2) AND PASSENGER (3)	16MM SOCKET
4,5	2	UPPER STRAP BRACKET, DRIVER (4) AND PASSENGER (5)	16MM WRENCH
6,7	2	LOWER SUPPORT STRAP, DRIVER (6) AND PASSENGER (7)	18MM SOCKET
8	4	M12 BUTTON HEAD BOLTS (STAINLESS OR BLACK ZINC*)	18MM WRENCH
9	8	M12 FLAT WASHERS (STAINLESS OR BLACK ZINC*)	FLAT HEAD SCREWDRIVER
10	4	M12 LOCK WASHERS (STAINLESS OR BLACK ZINC*)	
11	4	M12 HEX NUT (STAINLESS OR BLACK ZINC*)	HAMMER
12	4	M12 SPLIT LOCK WASHER (BLACK ZINC)	UTILITY KNIFE
13	4	M12 FLAT WASHER (BLACK ZINC)	RATCHET
14	4	M12 HEX NUT (BLACK ZINC)	TORQUE WRENCH
15	4	M10 BUTTON HEAD SCREW (STAINLESS OR BLACK ZINC*)	PRYBAR
16	4	M10 BELLVILLE WASHER (STAINLESS OR BLACK ZINC*)	13MM SOCKET
17	4	M10 SERRATED FLANGE NUT (STAINLESS OR BLACK ZINC*)	
18	4	M10 HEX HEAD CAP SCREW (BLACK ZINC)	
19	6	SMALL M10 FLAT WASHER (BLACK ZINC)	
20	4	M10 SPLIT LOCK WASHER (BLACK ZINC)	
21	4	M10 HEX NUT (BLACK ZINC)	
22	2	LARGE M10 FLAT WASHER (BLACK ZINC)	
23	4	M12 CARRIAGE BOLT (BLACK ZINC)	
24	4	M12 POLY RETAINER	
25	2	M14 HEX HEAD CAP SCREW (YELLOW ZINC)	
26	2	M14 SPLIT LOCK WASHER (YELLOW ZINC)	
27	2	M14 FLAT WASHER (YELLOW ZINC)	

**ANTI-SEIZE LUBRICANT MUST BE USED ON ALL STAINLESS STEEL FASTENERS TO PREVENT THREAD DAMAGE AND GALLING**

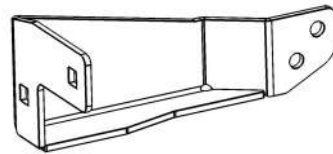
**\*STAINLESS FOR 57-3970; BLACK ZINC FOR 57-3975**



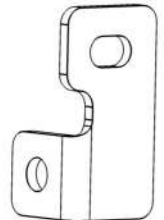
**ITEM 1**



**ITEM 3**



**ITEM 5**



**ITEM 7**

PASSENGER SIDE ITEMS SHOWN; DRIVER OPPOSITE



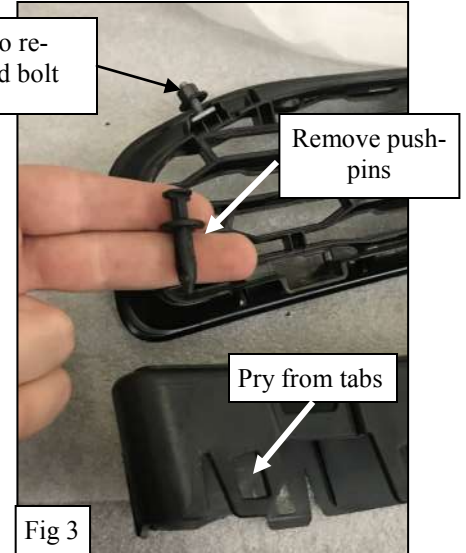
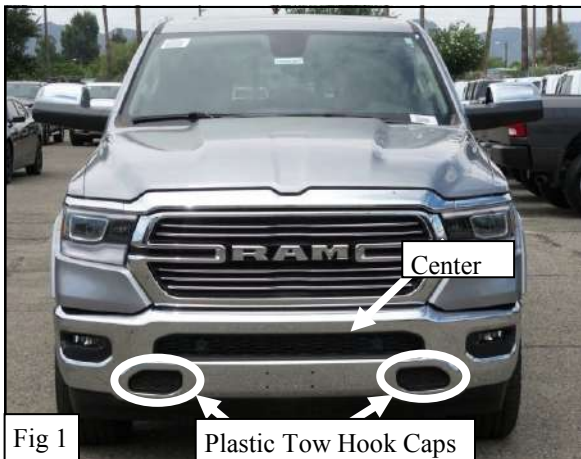
## PROCEDURE

1. Remove contents from box, verify if all parts listed are present and free from damage.

Carefully read and understand all instructions before attempting installation.

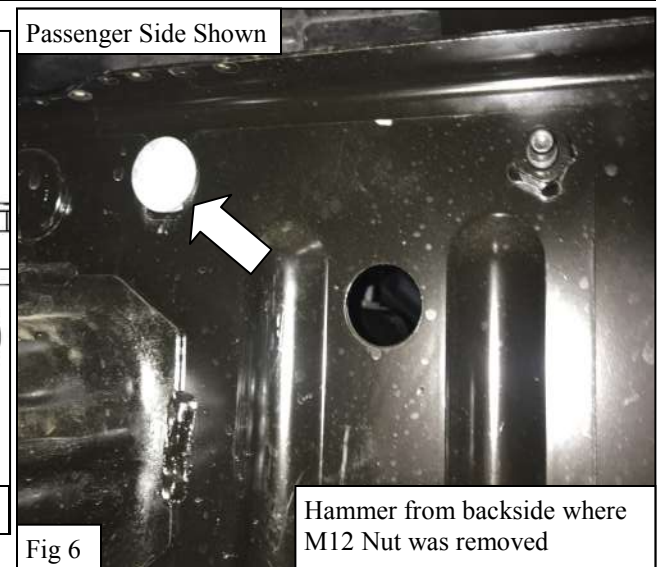
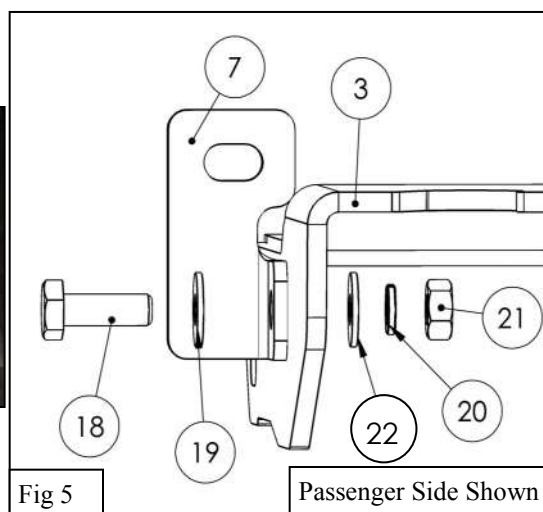
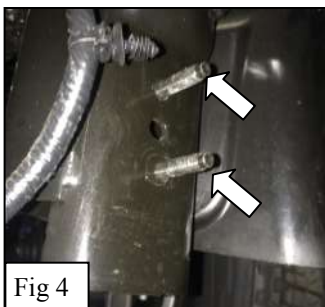
**Failure to identify damage before installation could lead to a rejection of any claim.**

2. Begin by removing the plastic caps for the tow hook attachment area by removing the nuts and clips on top and bottom. If tow hooks are present, they will need to be removed and will not be used again. Also remove the long center bumper trim by removing the cover on the backside and removing the push pins and nuts. See **Figures 1, 2, 3**.
3. Opening the hood may help with the rest of the installation.
4. Although not necessary, it may also be helpful to remove the Active Valence. Doing so requires a 13mm socket and removing the two nuts off of each stud. See **Figure 4**. The valence may be reinstalled after completing the installation.

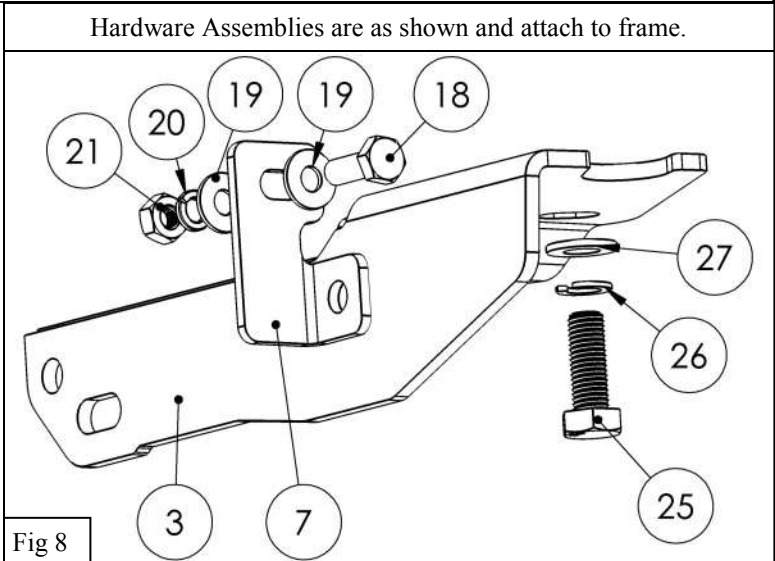


5. Then loosely preassemble the Lower Mounting Bracket (2-3) and Lower Support Strap (6-7) with the provided M10 Hardware. See **Figure 5**.

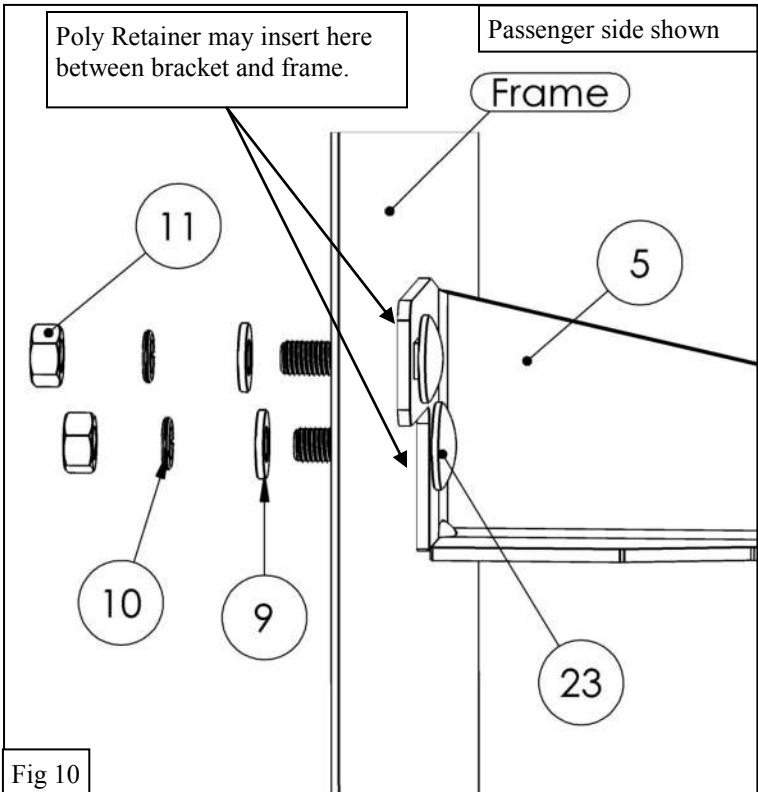
6. Remove the factory M12 nut. Then, use a hammer to punch out the factory carriage bolt. A pry bar may also be helpful. See **Figure 6**.



7. Attach the preassembled Lower Mounting Bracket (2-3) and Support Strap (6-7) to the frame using the supplied M12 and M14 Hardware. See **Figures 7 & 8**. *Note: Leave hardware loose.*



8. Attach the Upper Strap Bracket (4-5) to the frame in the location of the removed carriage bolt. Attach using the provided M12 Hardware. See **Figures 9 & 10**. *Note: A Poly Retainer may be used to hold the carriage bolt in place while positioning the brackets.*

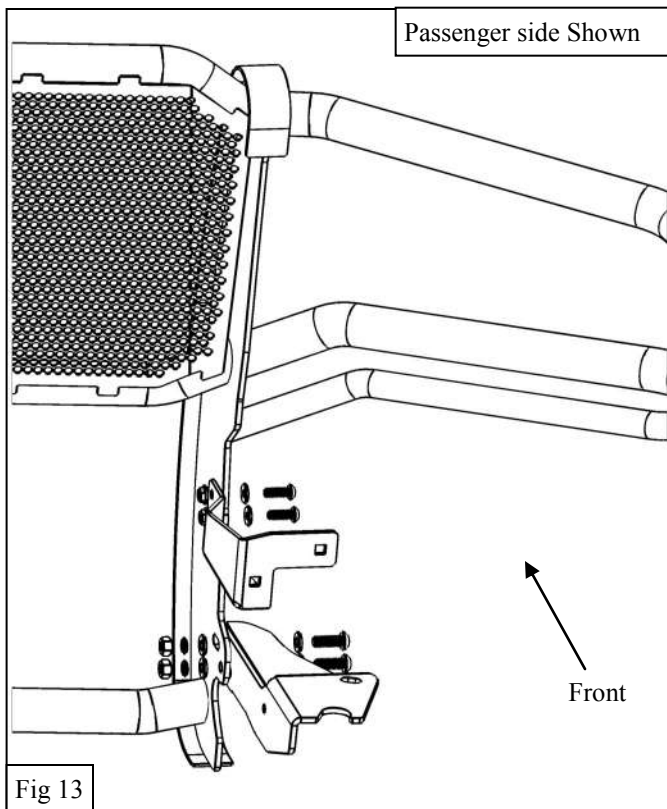
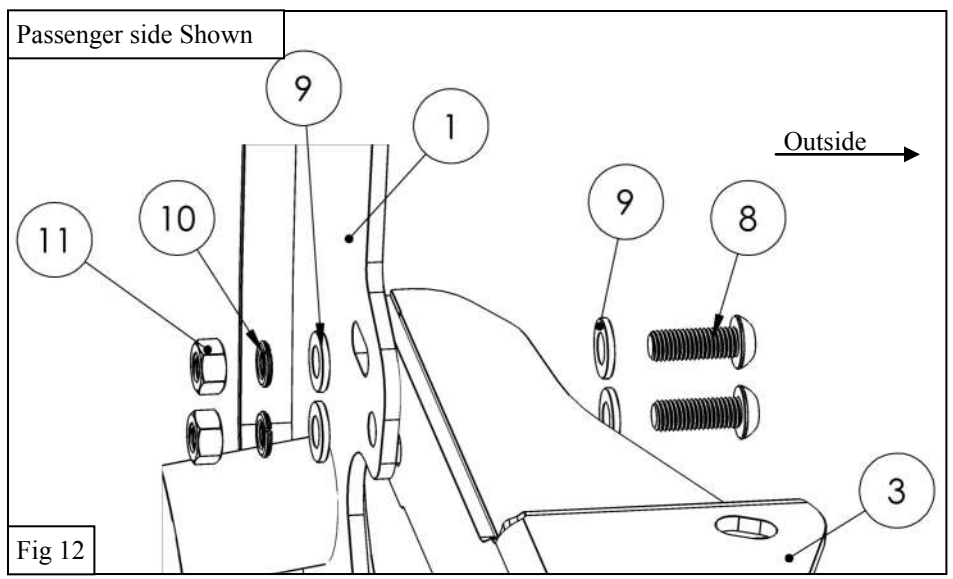
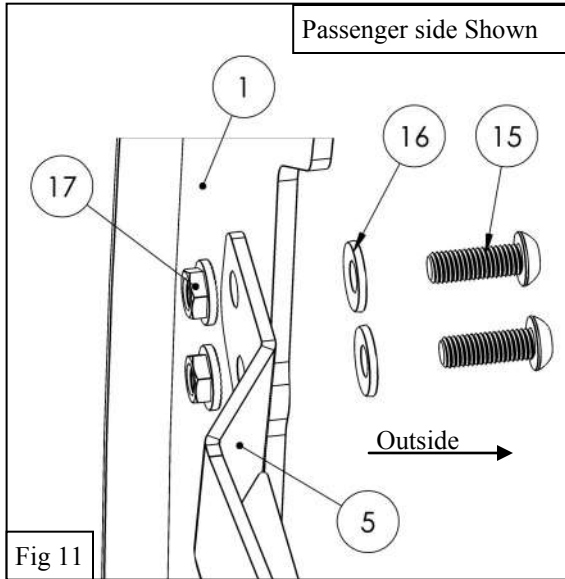




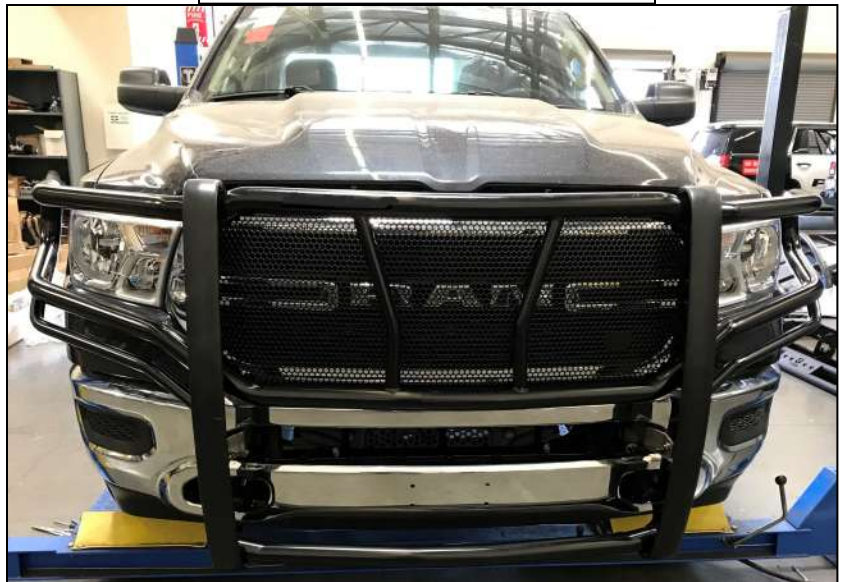
9. Lift the Grille Guard (1) into place. Attach the Grille Guard (1) to the installed brackets using the supplied M10 and M12 Hardware. See **Figures 11, 12, & 13.**

10. Adjust the Assembly as desired and tighten all hardware: M10 to 32 ft-lbs, M12 to 55 ft-lbs, & M14 to 88 ft-lbs.

11. Trim the plastic inserts removed in Step 2 as necessary and reinstall.



**INSTALLATION COMPLETE**





## WARNING



Failure to follow these instructions could lead to death, personal injury, and / or property damage.

Failure to follow these instructions could lead to death, personal injury, and / or property damage.

### FASTENERS:

All Westin supplied fasteners must be utilized and installed in accordance with the installation instructions and apply torque to the specifications as defined. **DOUBLE CHECK ALL FASTENERS BEFORE INITIAL USE, AND PERIODICALLY IN THE FUTURE TO ENSURE PROPER FUNCTION AND SAFETY.**

### DRILLING:

Most Westin products do not require drilling for installation. If drilling is defined as required, use caution when drilling a vehicle. **FAILURE TO REVIEW AN AREA TO BE DRILLED MAY RESULT IN PERSONAL INJURY AND/OR INJURY TO OTHERS AS WELL AS VEHICLE DAMAGE.**

### EYE PROTECTION:

**ALWAYS WEAR SAFETY GLASSES OR GOGGLES DURING THE INSTALLATION PROCESS TO AVOID PERSONAL INJURY.**

### MAXIMUM TOWING/CARRYING CAPACITY: (if applicable)

The Westin Receiver Hitches will have a visible tow rating label affixed directly on the product. User should never exceed the vehicle manufacturers maximum tow and weight rating regardless of the capacity of the hitch. **FAILURE TO FOLLOW THESE GUIDELINES WILL VOID THE WESTIN WARRANTY AND MAY RESULT IN PERSONAL INJURY AND/OR INJURY TO OTHERS AS WELL AS VEHICLE DAMAGE.**