



INSTALLATION INSTRUCTIONS

HDX & SPORTSMAN GRILLE GUARDS

APPLICATION:

2019 Chevrolet Silverado 1500 (Excl. 2019 Silverado LD)

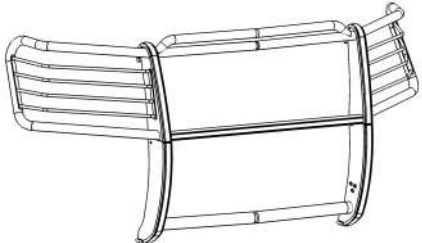
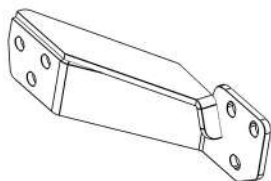
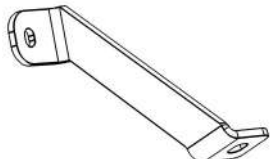
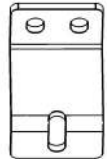
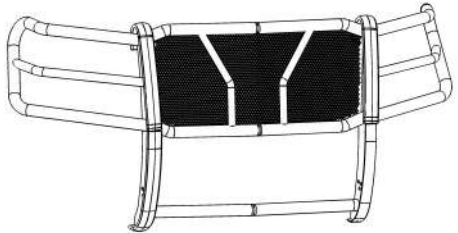
PART NUMBER:

57-3950, 57-3955, 45-3950, 40-3955

ITEM	QUANTITY	DESCRIPTION	TOOLS NEEDED
1	1	GRILLE GUARD	10MM SOCKET
2,3	2	LOWER MOUNTING BRACKET, DRIVER (2) AND PASSENGER (3)	16MM SOCKET
4,5	2	UPPER STRAP BRACKET, DRIVER (4) AND PASSENGER (5)	16MM WRENCH
6	2	LOWER SUPPORT STRAP	18MM SOCKET
7	4	SHORT M12 HEX HEAD CAP SCREW	18MM WRENCH
8	2	LONG M12 HEX HEAD CAP SCREW	FLAT HEAD SCREWDRIVER
9	6	M12 SPLIT LOCK WASHER	
10	12	M12 FLAT WASHER	HAMMER
11	6	M12 HEX NUT	UTILITY KNIFE
12	2	M10 BUTTON HEAD BOLT *	RATCHET
13	2	M10 BELLEVILLE WASHER *	TORQUE WRENCH
14	2	M10 SERRATED FLANGE NUT *	PRYBAR
15	6	M12 BUTTON HEAD BOLT *	13MM SOCKET
16	6	M12 SERRATED FLANGE NUT *	
17	6	M12 BELLEVILLE WASHER *	

ANTI-SEIZE LUBRICANT MUST BE USED ON ALL STAINLESS STEEL FASTENERS TO PREVENT THREAD DAMAGE AND GALLING

***STAINLESS FOR 57-3950 & 45-3950; BLACK ZINC FOR 57-3955 & 40-3955**

 <p>ITEM 1 Sportsman Grille Guard</p>	 <p>ITEM 2</p>	 <p>ITEM 4</p>	 <p>ITEM 6</p>
 <p>ITEM 1 HDX Grille Guard</p>	<div style="border: 1px solid black; padding: 10px; width: fit-content; margin: 0 auto;"> <p>DRIVER SIDE ITEMS SHOWN; PASSENGER SIDE OPPOSITE</p> </div>		



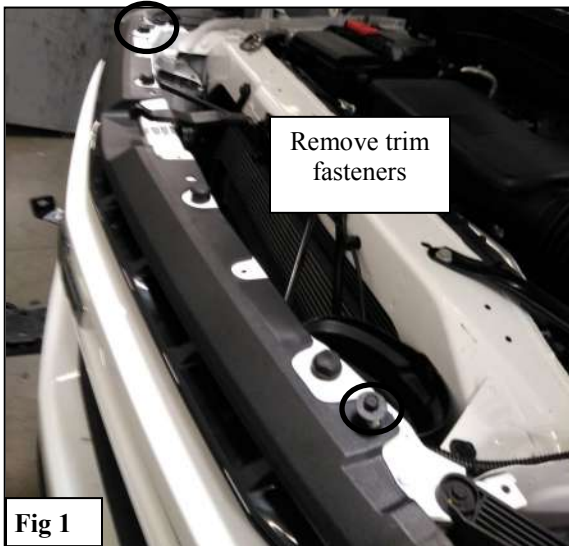
PROCEDURE

1. Remove contents from box, verify if all parts listed are present and free from damage.

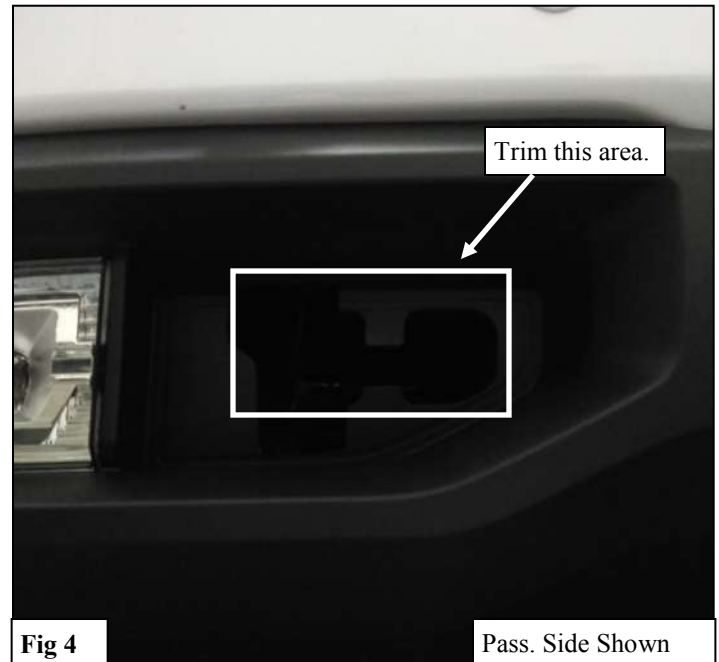
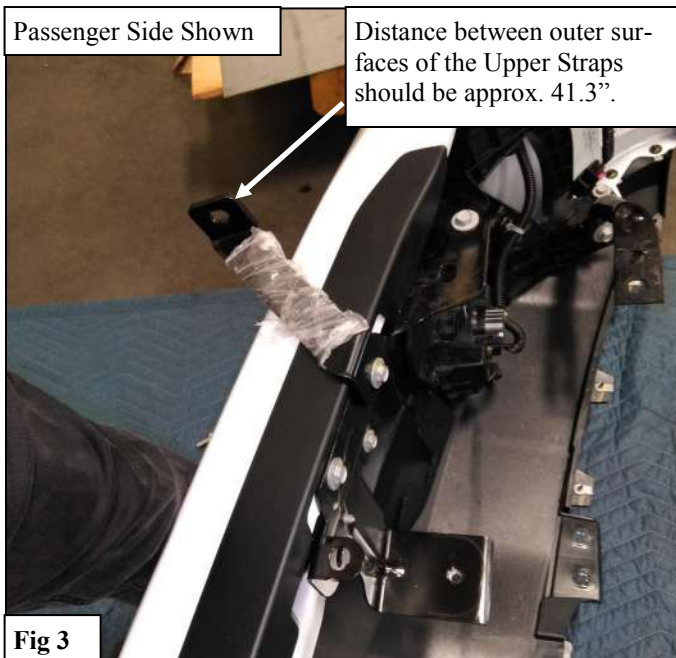
Carefully read and understand all instructions before attempting installation.

Failure to identify damage before installation could lead to a rejection of any claim.

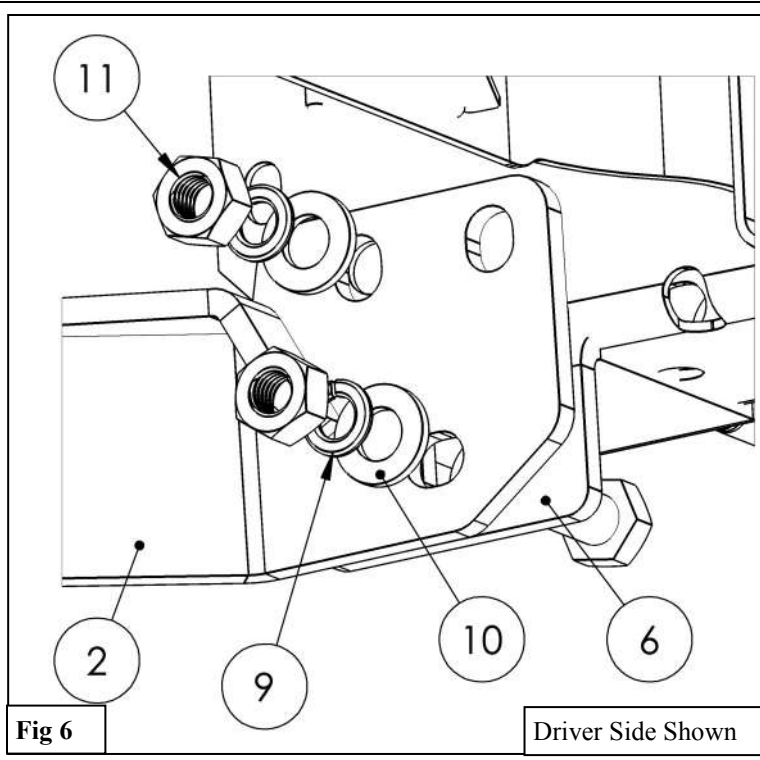
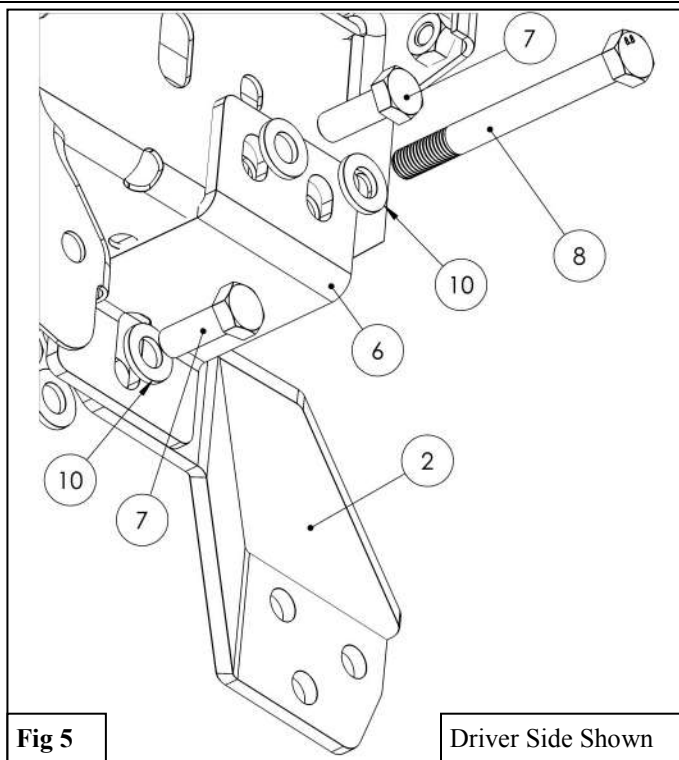
2. Begin by removing the plastic trim fasteners holding the grille in place. Also dethatch the clips of the wings of the grille. See **Figures 1 & 2**.
3. Remove the grille by pulling firmly and carefully at the bottom of the grille.



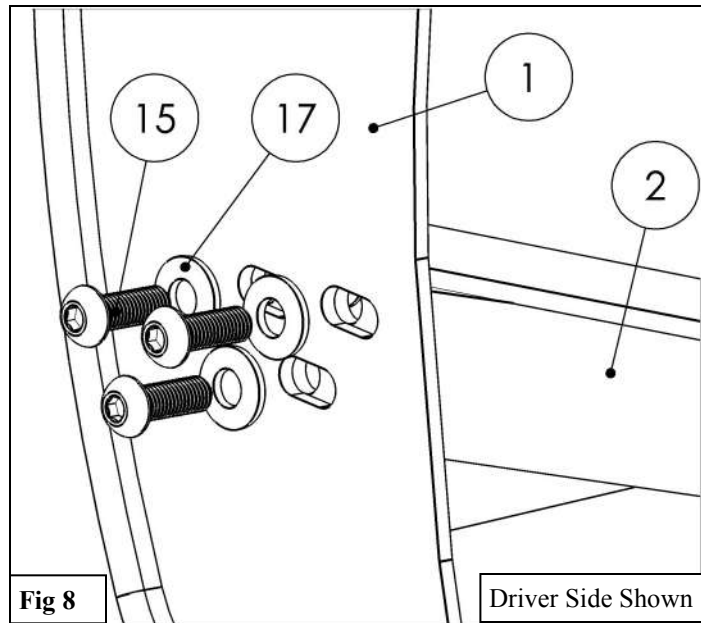
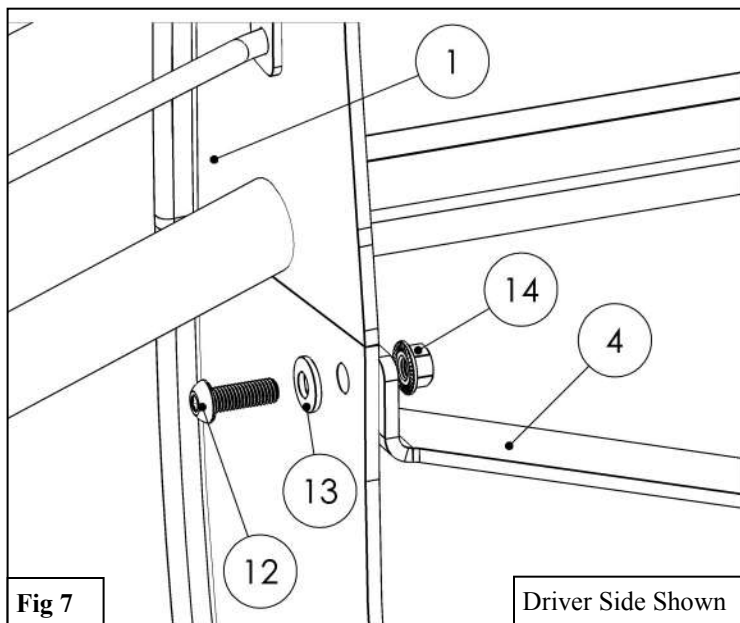
4. Use the OEM hardware to secure the Upper Strap Bracket (4-5) to the bumper. *Note: Bumper shown off vehicle for viewing purposes.* See **Figure 3**
5. Trim the factory trim area to fit the Lower Mounting Bracket (2-3). See **Figure 4**.



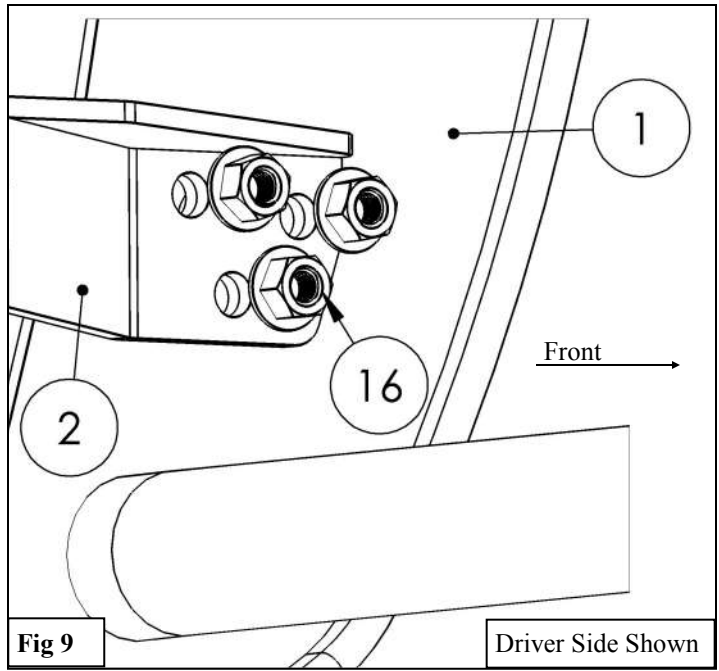
6. Install the Lower Mounting Bracket (2-3) and Lower Support Strap (6) to the frame using the supplied M12 Hardware. See **Figures 5 & 6.**



7. Repeat Steps 4-6 for the opposite sides.
8. Use the supplied M10 and M12 Hardware (12-17) to secure the Grille Guard to the Mounting Brackets/Straps. See **Figures 7, 8, & 9.**



9. Adjust the Assembly as desired and tighten all hardware: M10 to 32 ft-lbs, M12 to 55 ft-lbs.



INSTALLATION COMPLETE





WARNING



Failure to follow these instructions could lead to death, personal injury, and / or property damage.

Failure to follow these instructions could lead to death, personal injury, and / or property damage.

FASTENERS:

All Westin supplied fasteners must be utilized and installed in accordance with the installation instructions and apply torque to the specifications as defined. **DOUBLE CHECK ALL FASTENERS BEFORE INITIAL USE, AND PERIODICALLY IN THE FUTURE TO ENSURE PROPER FUNCTION AND SAFETY.**

DRILLING:

Most Westin products do not require drilling for installation. If drilling is defined as required, use caution when drilling a vehicle. **FAILURE TO REVIEW AN AREA TO BE DRILLED MAY RESULT IN PERSONAL INJURY AND/OR INJURY TO OTHERS AS WELL AS VEHICLE DAMAGE.**

EYE PROTECTION:

ALWAYS WEAR SAFETY GLASSES OR GOGGLES DURING THE INSTALLATION PROCESS TO AVOID PERSONAL INJURY.

MAXIMUM TOWING/CARRYING CAPACITY: (if applicable)

The Westin Receiver Hitches will have a visible tow rating label affixed directly on the product. User should never exceed the vehicle manufacturers maximum tow and weight rating regardless of the capacity of the hitch. **FAILURE TO FOLLOW THESE GUIDELINES WILL VOID THE WESTIN WARRANTY AND MAY RESULT IN PERSONAL INJURY AND/OR INJURY TO OTHERS AS WELL AS VEHICLE DAMAGE.**