



AUTOMOTIVE PRODUCTS,

# INSTALLATION INSTRUCTIONS

## HDX DROP STEP WTW

### APPLICATION:

2007-2017 Chevy Silverado / GM Sierra / 1500-2500-3500

Ext. / Double / Crew Cab - 6.5 Ft Bed

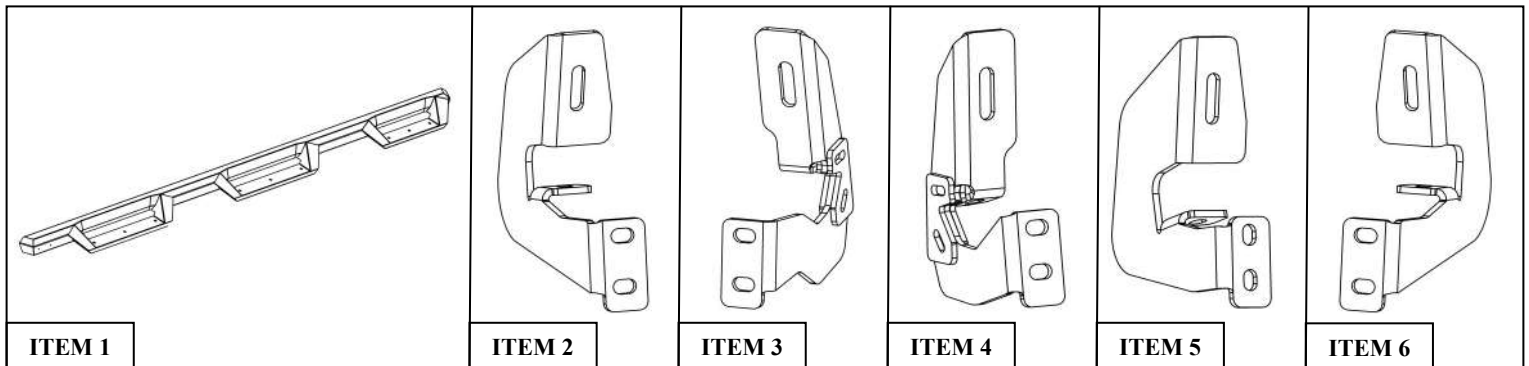
### PART NUMBER:

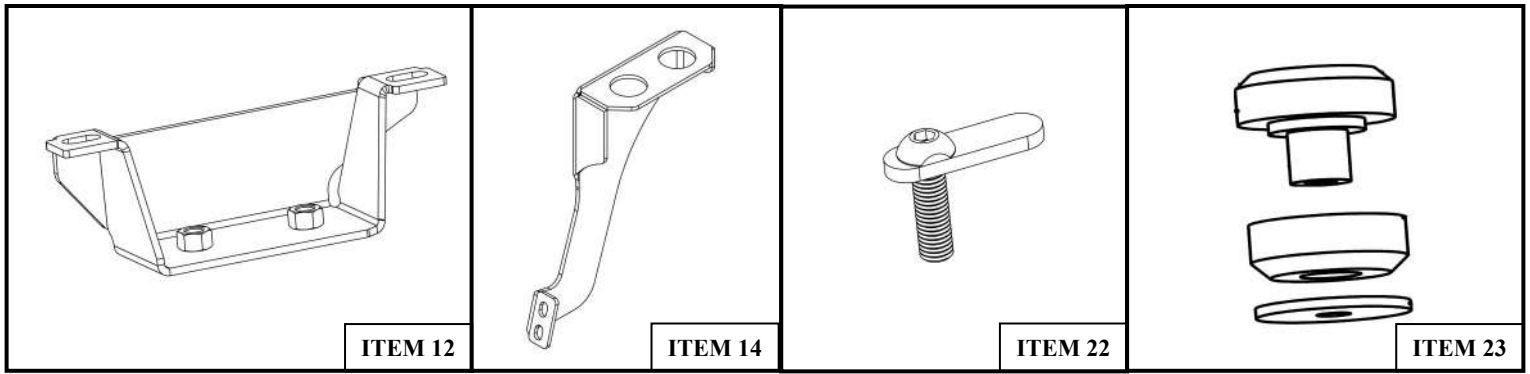
56-534575, 56-534595, 56-5345752, 56-5345952

| ITEM   | QUANTITY | DESCRIPTION   | TOOLS NEEDED       |
|--------|----------|---|--------------------|
| 1      | 2        | STEP BAR ASSEMBLY                                   | 3/8" DRIVE RATCHET |
| 2,3    | 2        | CENTER MOUNT BRACKET, DRIVER (2) AND PASSENGER (3)  | 1/2" DRIVE RATCHET |
| 4      | 2        | MOUNTING BRACKET A                                  | TORQUE WRENCH      |
| 5      | 2        | MOUNTING BRACKET B                                  | 13MM SOCKET        |
| 6*     | 1        | MOUNTING BRACKET C                                  | SOCKET EXT.        |
| 7      | 26       | M8 HEX HEAD BOLT LONG (YELLOW ZINC)                 | 13MM WRENCH        |
| 8      | 4        | M8 HEX HEAD BOLT SHORT (YELLOW ZINC)                | 18MM SOCKET        |
| 9      | 28       | M8 FLAT WASHER SMALL (YELLOW ZINC)                  | 19MM SOCKET        |
| 10     | 30       | M8 LOCK WASHER (YELLOW ZINC)                        | 18MM WRENCH        |
| 11     | 12       | M8 U-NUT CLIP (YELLOW ZINC)                         | 19MM WRENCH        |
| 12, 13 | 2        | TOP ISOLATOR BRACKET DRIVER (12), PASSENGER (13)    | 15MM WRENCH        |
| 14, 15 | 2        | BOTTOM ISOLATOR BRACKET DRIVER (14), PASSENGER (15) | 15MM SOCKET        |
| 16     | 2        | M8 FLAT WASHER LARGE (YELLOW ZINC)                  | 16MM WRENCH        |
| 17     | 4        | M12 HEX HEAD BOLT (YELLOW ZINC)                     | 16MM SOCKET        |
| 18     | 4        | M12 SPLIT LOCK WASHER (YELLOW ZINC)                 | PRY TOOL           |
| 19     | 2        | M10 FLAT WASHER (YELLOW ZINC)                       |                    |
| 20     | 2        | M10 SPLIT LOCK WASHER (YELLOW ZINC)                 |                    |
| 21     | 2        | M10 HEX NUT (YELLOW ZINC)                           |                    |
| 22     | 2        | M10 BOLT PLATE (YELLOW ZINC)                        |                    |
| 23     | 4        | ISOLATOR KIT  |                    |

**ANTI-SEIZE LUBRICANT MUST BE USED ON ALL STAINLESS STEEL FASTENERS TO PREVENT THREAD DAMAGE AND GALLING**

**ITEM WITH ( \* ) - IS ONLY USED FOR SELECT 1500 MODELS WITH WELDED NUTS**





### PROCEDURE

1. Remove contents from box, verify if all parts listed are present and free from damage.  
Carefully read and understand all instructions before attempting installation.  
**Failure to identify damage before installation could lead to a rejection of any claim.**

### NOTE: For installation on diesel equipped vehicles.

**\*DEF tank is located on the Front Passenger Side of the vehicle**

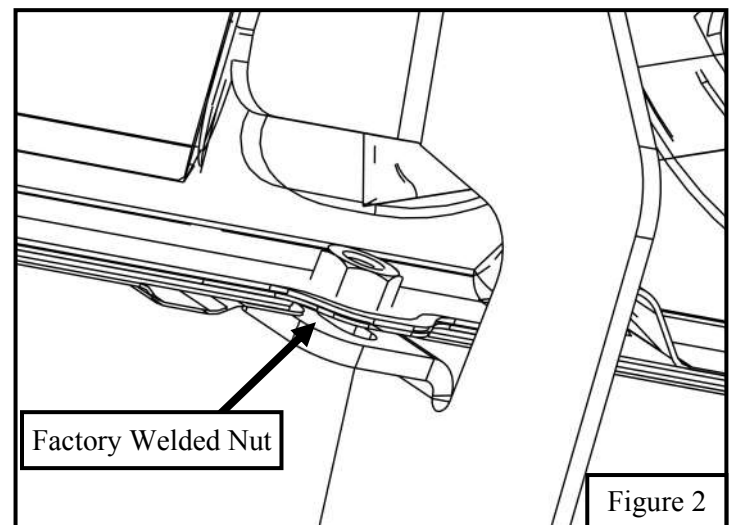
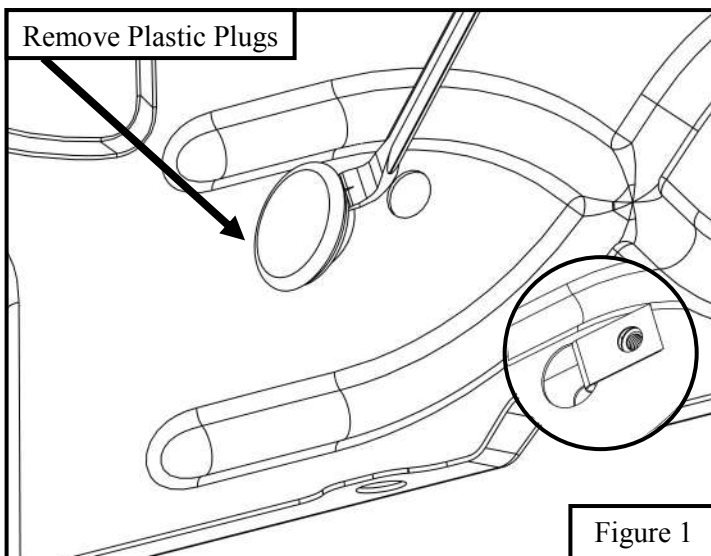
#### 2016 & Down Models

- Def tank must be removed and lowered. Follow the instructions on page 6.
- Return to page 2 and follow instructions 1-13.
- Reinstall Def tank.

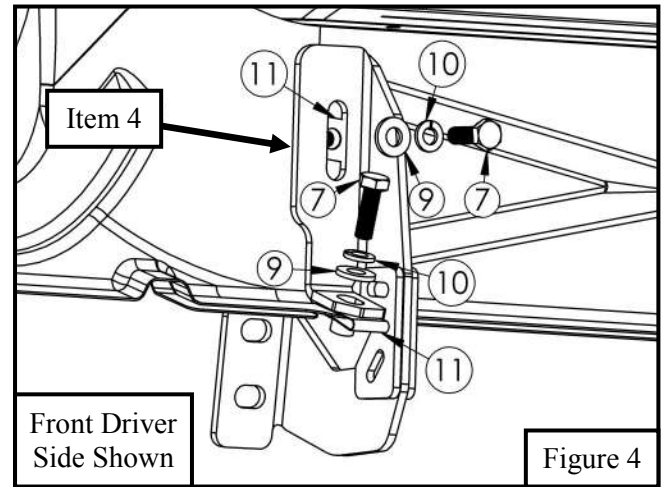
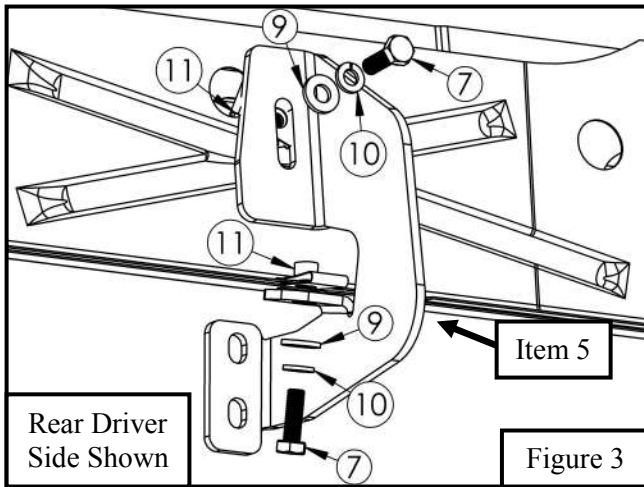
#### 2017 & Up Models

- Def Tank does not need to be removed, only remove the DEF tank cover. Follow the instructions on page 7.
- Return to page 2 and follow instructions 1-13.
- Reinstall Def tank cover.

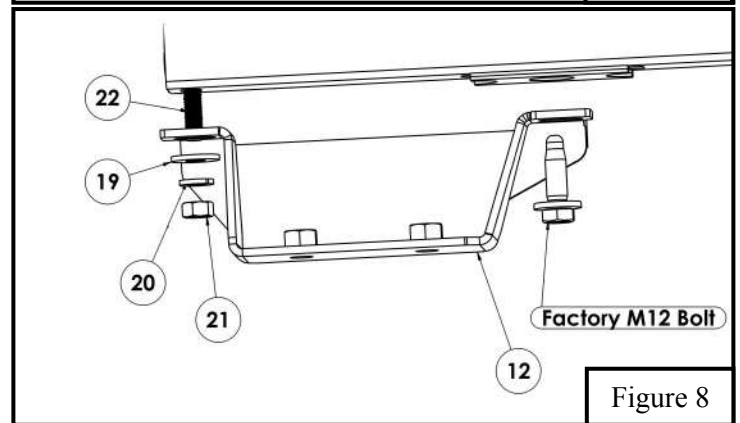
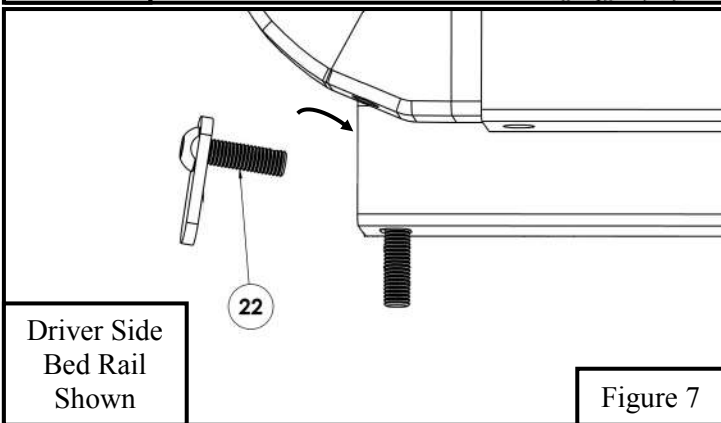
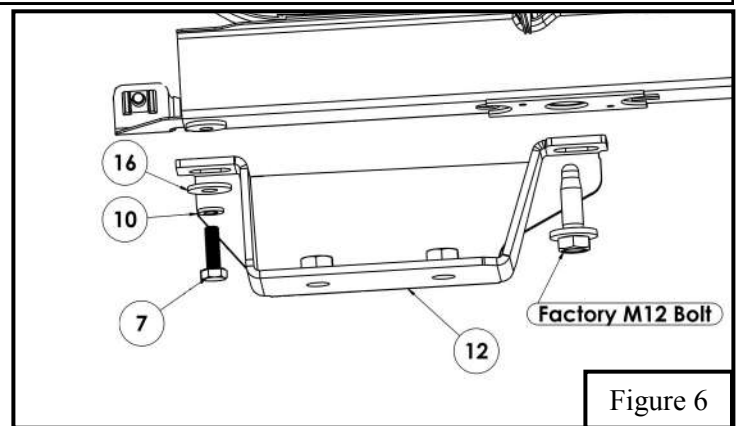
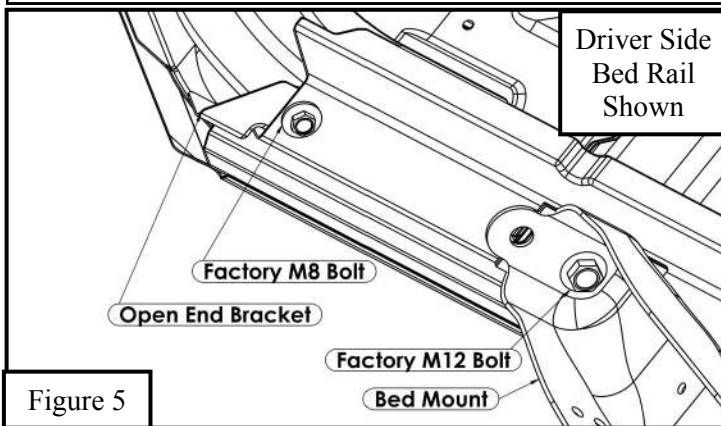
2. Starting on the driver side, remove the plastic plugs located on the rocker panel at each mounting location. See **Figure 1**.
3. **For models with welded nuts:** At each bracket mounting location on the pinch weld there should either be a welded factory nut or a hole. If there is a factory welded nut present, then the M8 U-Nut Clip (Item 11) will not be used at that location. See **Figure 2** for the factory welded nut. Follow steps 1-13 on how to install mounting brackets, and use **Figures 15-16** on **pg. 5**. for the correct bracket orientation.



4. Insert (1) M8 u-nut clip (Item 11) into the hole where the rubber plug was removed and onto pinch weld if no factory welded nut is present on pinch well and no threaded holes are present on the rocker panel.
5. Repeat **Step 4** for every other bracket mounting location, see **Fig. 13-14** on **pg. 4-5** for bracket orientation and location.
6. Locate (1) Mounting Bracket B (Item 5) and loosely install with supplied M8 hardware. See **Figure 3**.
7. Locate (1) Mounting Bracket A (Item 4) and loosely install with supplied M8 hardware. See **Figure 4**. **Note:** For installation on diesel equipped vehicles follow diesel exhaust fluid tank removal instructions on **page 6 & 7**.



8. Locate Bed Rail underneath the truck at the front of the bed. If the open end of the rail has an existing bracket remove the attached factory M8 bolt. The second mounting location will be the bed mount, remove the Factory M12 Bolt. Loosely install Top Isolator Bracket (Item 12) with supplied M8 hardware and previously removed Factory M12 Bolt. See **Fig 5-6**.
9. If there is only an existing hole insert supplied M10 bolt plate (Item 22) through existing hole. Then Install Top Isolator Bracket (Item 12) with supplied M10 hardware and Factory M12 Bolt. See **Figures 7 and 8**



10. Install Bottom Isolator Bracket (Item 14) to previously mounted Top Isolator Bracket (Item 12) with supplied Isolator Kit (Item 23) and M12 Hardware. Assemble loosely. See **Figure 9**

11. Tilt Board at an angle to insert center brackets into board mounting location. See **Figure 10**

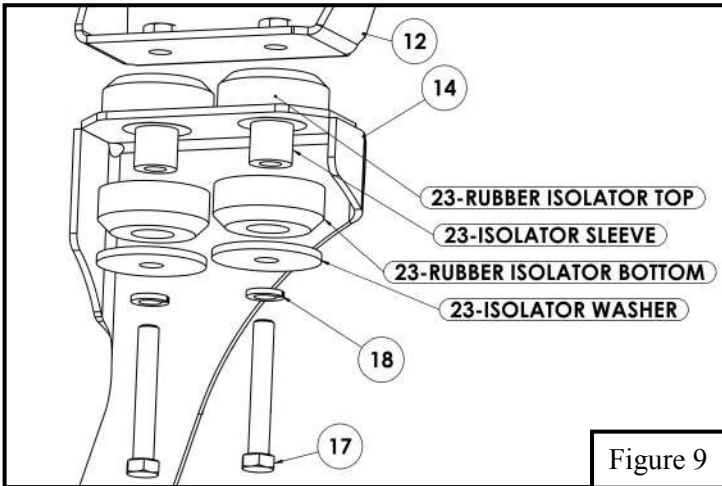


Figure 9

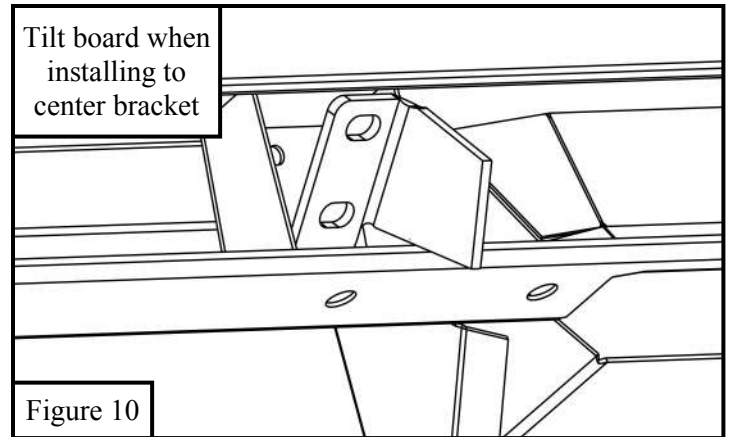


Figure 10

(NOTE : Reference for bracket locations and orientations can be found below in **Figures 13-16** and on **pg. 5**)

12. For Step Board installation to the previously installed mounting brackets use the supplied M8 hardware with short bolts on center mounting locations and use M8 hardware with long bolt for all other mounting locations. See **Figure 11 and 12**.

13. Align and adjust the step bars and brackets as needed, then fully tighten all hardware: M8 to 15-18 ft-lbs, M10 to 32-38 ft-lbs, and M12 to 52-60 ft-lbs.

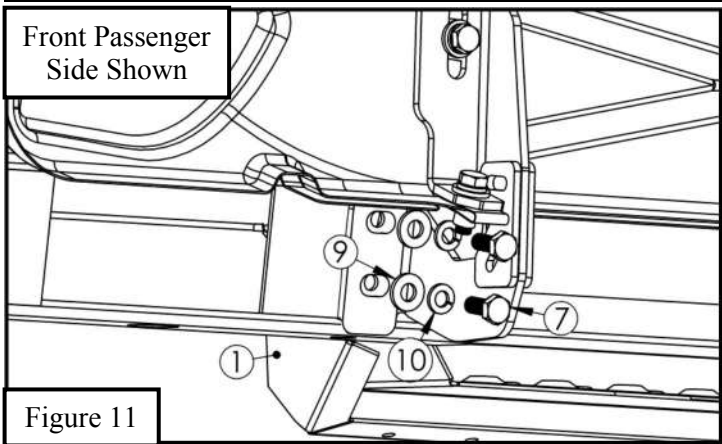


Figure 11

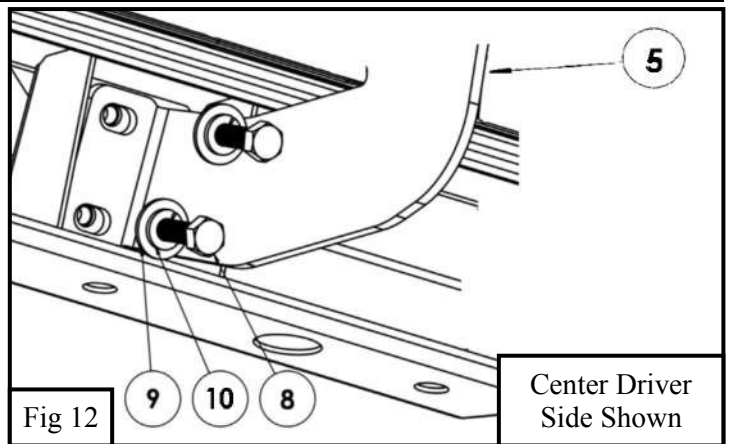


Fig 12

Center Driver Side Shown

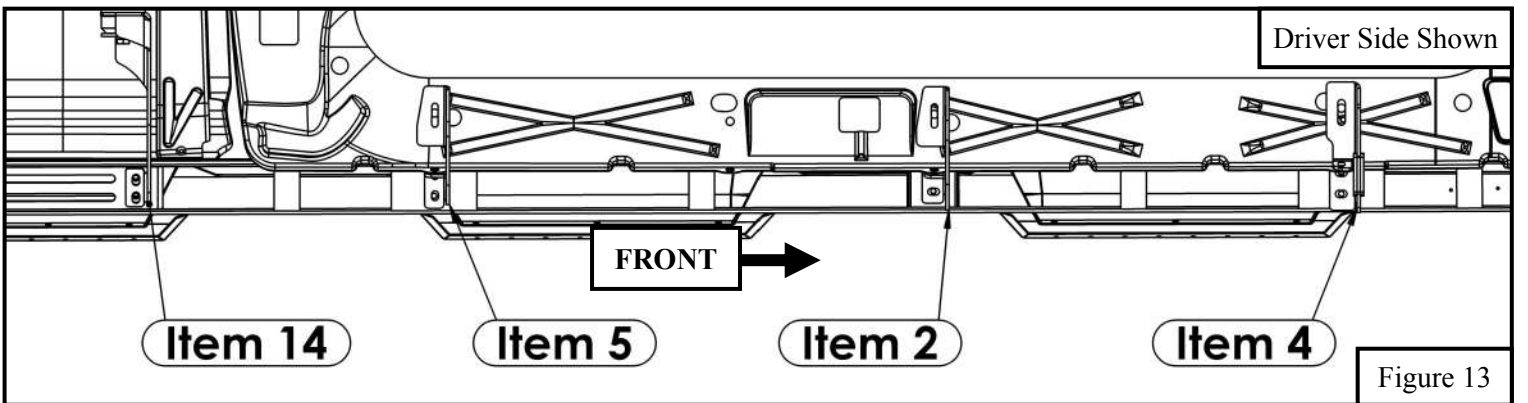
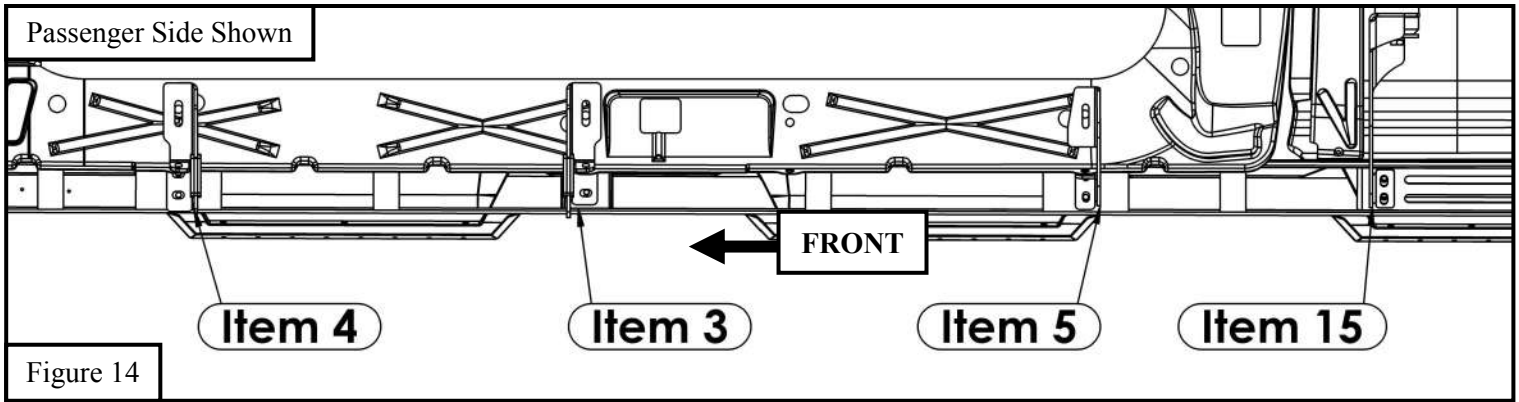
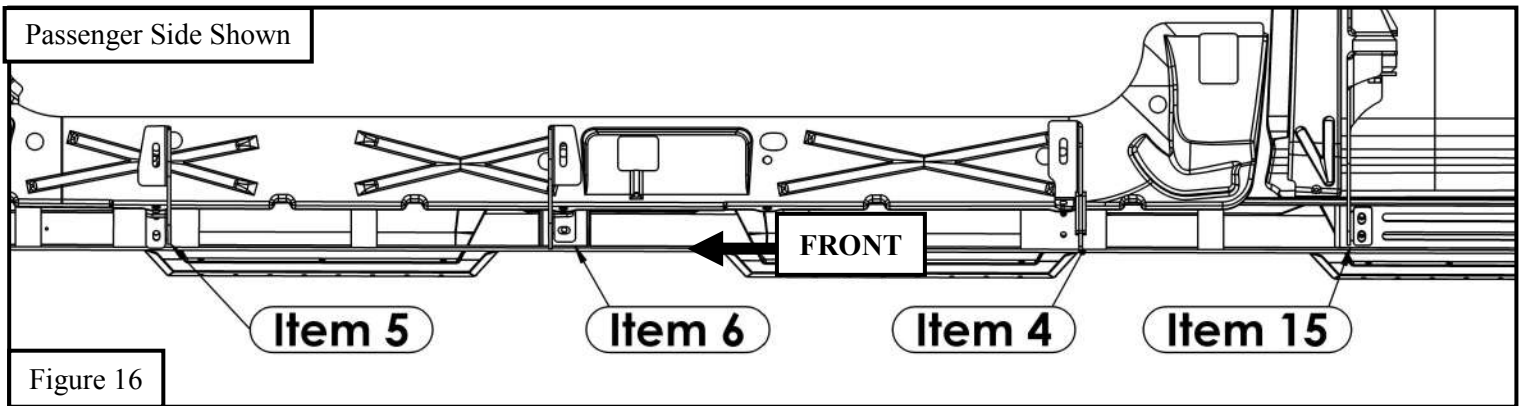
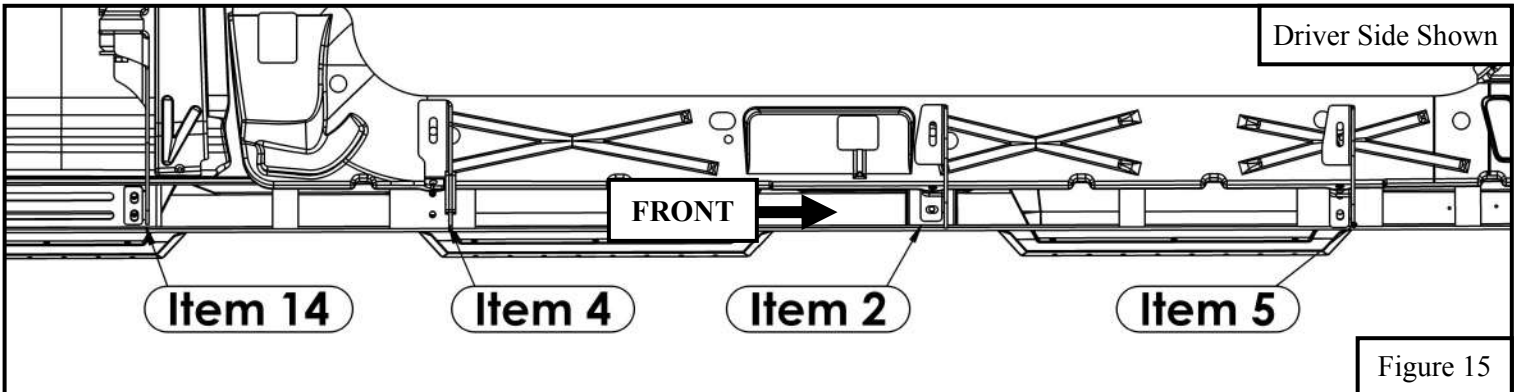


Figure 13

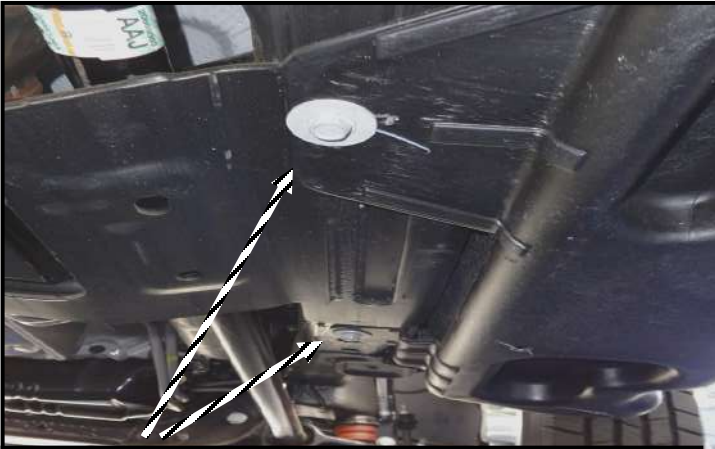


**BELOW ARE THE BRACKET ORIENTATIONS FOR SELECT 1500 MODELS WITH WELDED NUTS**





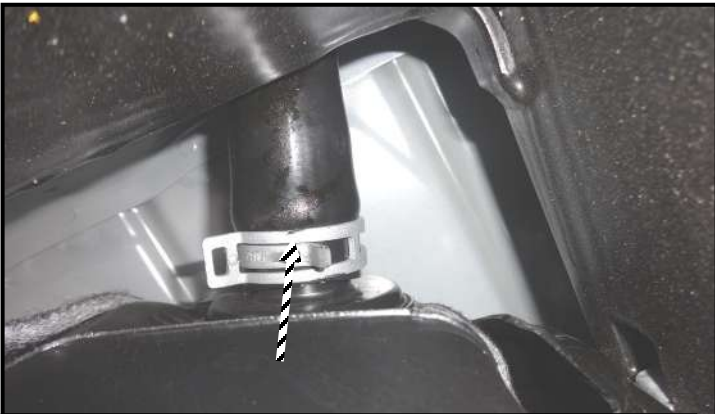
2007 - 2016 DIESEL EXHAUST FLUID TANK REMOVAL INSTRUCTIONS  
w/Diesel Power Train Only



Remove the three bolts that hold the plastic cover by using a ratchet with 13mm socket.



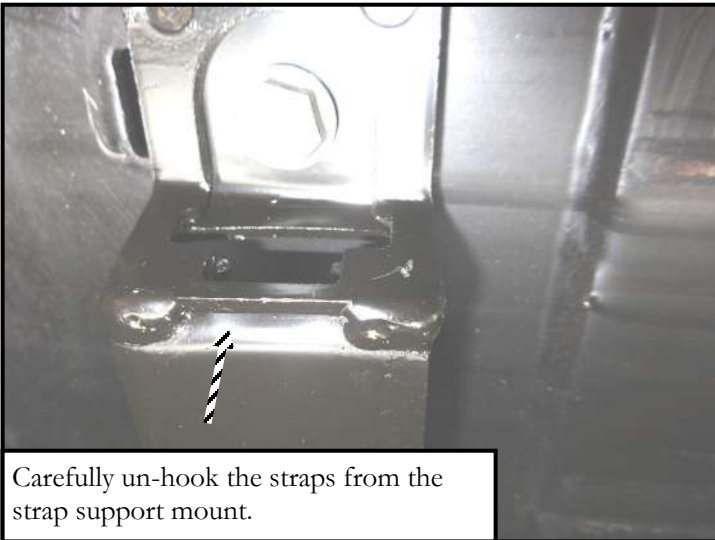
Remove the plastic cover by pulling it toward the side of the truck.



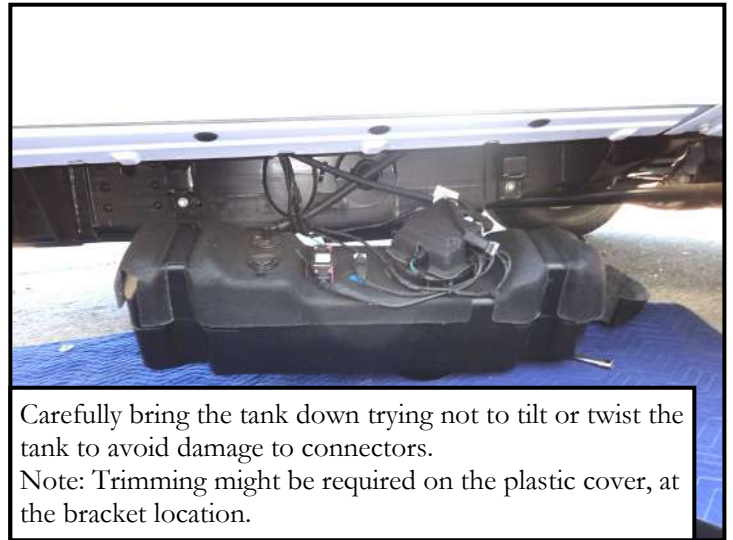
Use a set of pliers to loosen the hose clamp that is under the tank near the front of the truck that holds the filler hose. Carefully remove the filler hose from the tank.



Using a ratchet with a long extension and a 13mm socket to loosen and remove the bolts of the tank support straps. Use an assistant to help hold the tank.



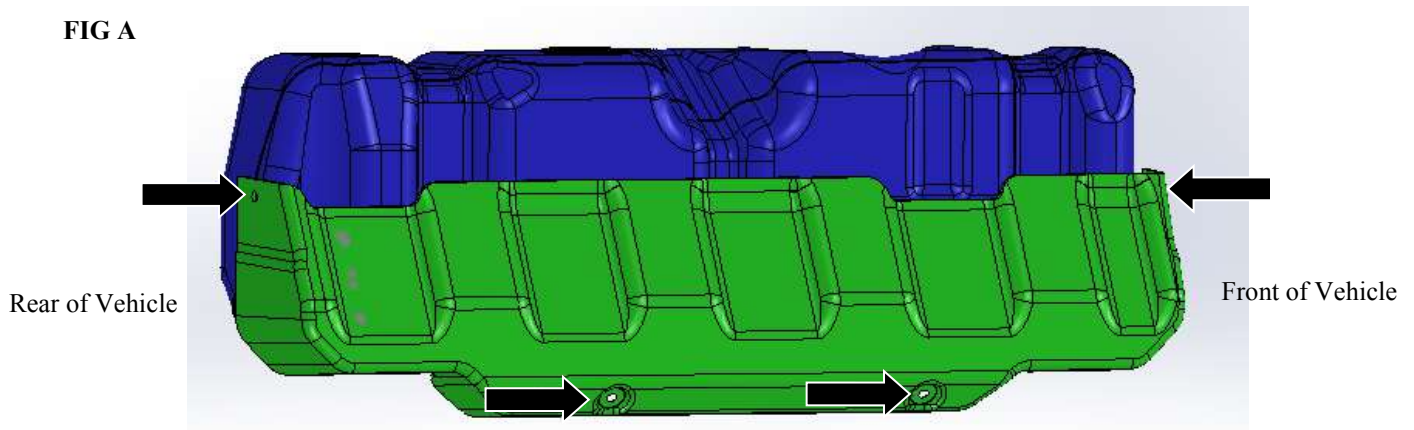
Carefully un-hook the straps from the strap support mount.



Carefully bring the tank down trying not to tilt or twist the tank to avoid damage to connectors. Note: Trimming might be required on the plastic cover, at the bracket location.

**2017 & Up Diesel Models, Note :** Using a 10MM wrench, remove the four bolts that hold the DEF tank plastic cover to the vehicle before installing brackets. Once step bar is fully installed, fasten the tank cover back on. See below **Fig. A**

**FIG A**



**INSTALLATION COMPLETE (Double Cab Shown)**



#### Care Instructions

- REGULAR WAXING IS RECOMMENDED. DO NOT USE ANY TYPE OF POLISH OR WAX THAT MAY CONTAIN ABRASIVES.
- STAINLESS STEEL PRODUCTS CAN BE CLEANED WITH MILD SOAP AND WATER. STAINLESS STEEL POLISH SHOULD BE USED TO POLISH SMALL SCRATCHES.
- GLOSS BLACK FINISHES SHOULD BE CLEANED WITH MILD SOAP AND WATER.

# Westin

SIGNATURE OF QUALITY

AUTOMOTIVE PRODUCTS, INC.



## WARNING



Failure to follow these instructions could lead to death, personal injury, and / or property damage.

### **FASTENERS:**

All Westin supplied fasteners must be utilized and installed in accordance with the installation instructions and apply torque to the specifications as defined. **DOUBLE CHECK ALL FASTENERS BEFORE INITIAL USE, AND PERIODICALLY IN THE FUTURE TO ENSURE PROPER FUNCTION AND SAFETY.**

### **DRILLING:**

Most Westin products do not require drilling for installation. If drilling is defined as required, use caution when drilling a vehicle. **FAILURE TO REVIEW AN AREA TO BE DRILLED MAY RESULT IN PERSONAL INJURY AND/OR INJURY TO OTHERS AS WELL AS VEHICLE DAMAGE.**

### **EYE PROTECTION:**

**ALWAYS WEAR SAFETY GLASSES OR GOGGLES DURING THE INSTALLATION PROCESS TO AVOID PERSONAL INJURY.**

### **MAXIMUM TOWING/CARRYING CAPACITY:**

The Westin Receiver Hitches will have a visible tow rating label affixed directly on the product. User should never exceed the vehicle manufacturers maximum tow and weight rating regardless of the capacity of the hitch. **FAILURE TO FOLLOW THESE GUIDELINES WILL VOID THE WESTIN WARRANTY AND MAY RESULT IN PERSONAL INJURY AND/OR INJURY TO OTHERS AS WELL AS VEHICLE DAMAGE.**