



INSTALLATION INSTRUCTIONS

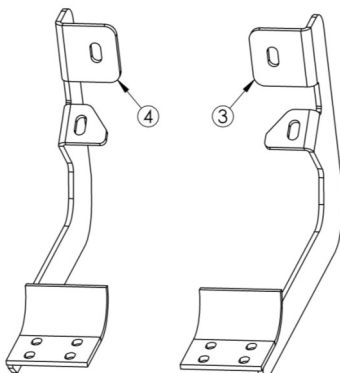
4" OVAL TUBE AND 6" PREMIERE OVAL STEPS

AUTOMOTIVE PRODUCTS,

APPLICATION:
2016 Nissan Titan XD Crew Cab
PART NUMBER:
22-2225

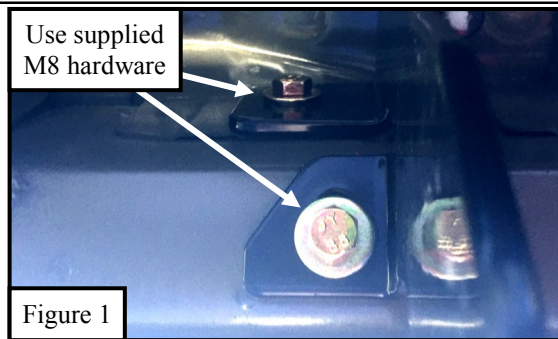
ITEM	QUANTITY	DESCRIPTION	TOOLS NEEDED
1,2	2	STEP BARS, DRIVER (1) AND PASSENGER (2) (SOLD SEPERATELY)	13MM WRENCH
3	3	MOUNTING BRACKET A	13MM SOCKET
4	3	MOUNTING BRACKET B	RATCHET
5	12	M8 HEX HEAD CAP SCREW (YELLOW ZINC)	TORQUE WRENCH
6	12	M8 FLAT WASHER (YELLOW ZINC)	
7	12	M8 SPRING LOCK WASHER (YELLOW ZINC)	
8	6	MOUNT ADAPTER PLATES (INCLUDED WITH STEP BARS)	
9	24	M6 FLAT WASHERS (INCLUDED WITH STEP BARS)	
10	24	M6 NYLOCK NUTS (INCLUDED WITH STEP BARS)	

ANTI-SEIZE LUBRICANT MUST BE USED ON ALL STAINLESS STEEL FASTENERS TO PREVENT THREAD DAMAGE AND GALLING

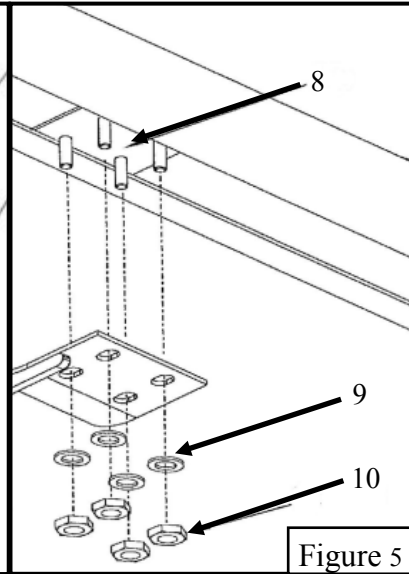
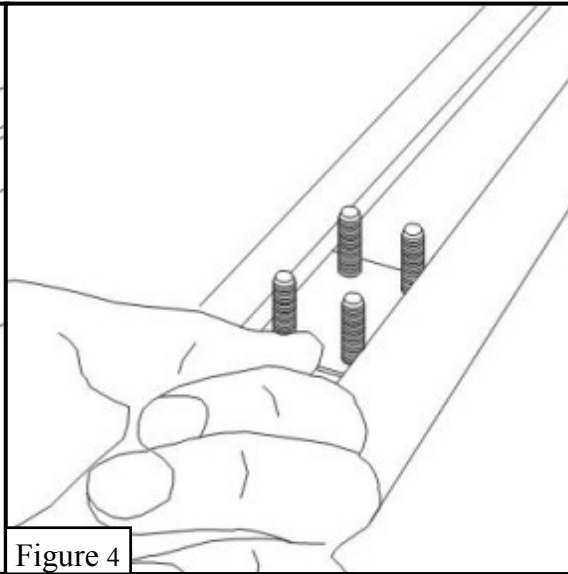
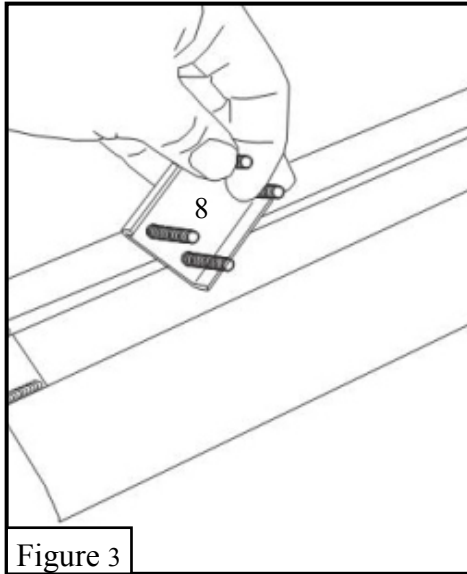
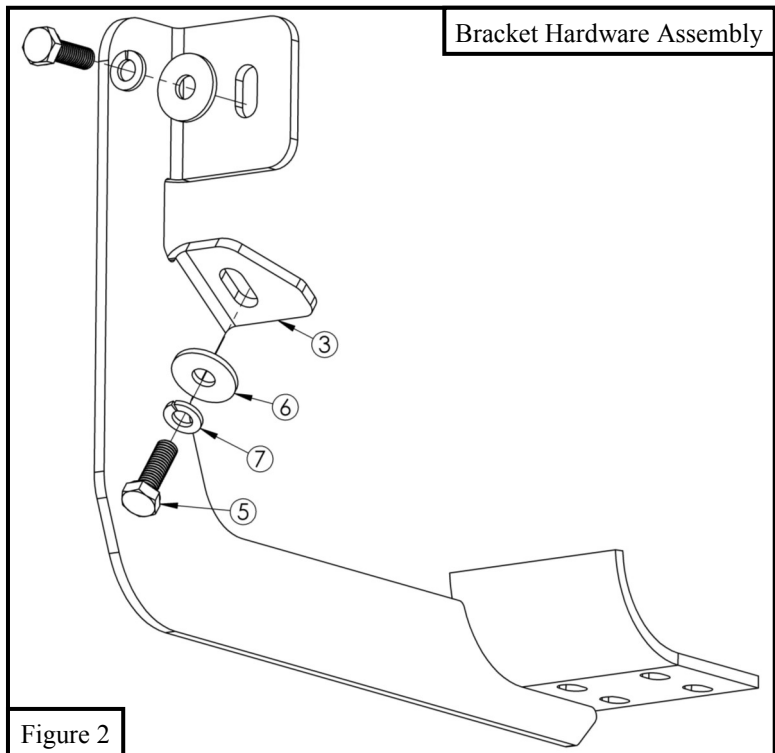


PROCEDURE

1. Remove contents from box, verify if all parts listed are present and free from damage.
Carefully read and understand all instructions before attempting installation.
Failure to identify damage before installation could lead to a rejection of any claim.
2. Locate (3) mounting locations on each side. Then loosely install (3) Mounting Bracket A (Item 3) on the passenger side using (6) M8 hex head cap screws, (6) M8 flat washers, and (6) M8 spring lock washers. **See Figures 1 and 2.**
3. Repeat Step 2 for driver side using Mounting Bracket B (Item 4).



4. Slide mount adapter plates on step bars as shown. Place step bar on saddle with long pad forward and end cap screw facing inward. Assemble with M6 hardware. See **Figures 3, 4, and 5**. Reference installation sheet, 75-0820, Oval Tube Mount Adapter Kit.
5. Align and adjust the tube steps as needed then fully tighten all hardware at this time: M6 hardware to 7 ft-lbs and M8 hardware to 20 ft-lbs.



CARE INSTRUCTIONS

- REGULAR WAXING IS RECOMMENDED. DO NOT USE ANY TYPE OF POLISH OR WAX THAT MAY CONTAIN ABRASIVES.
- STAINLESS STEEL PRODUCTS CAN BE CLEANED WITH MILD SOAP AND WATER. STAINLESS STEEL POLISH SHOULD BE USED TO POLISH SMALL SCRATCHES.
- GLOSS BLACK FINISHES SHOULD BE CLEANED WITH MILD SOAP AND WATER.

Westin

SIGNATURE OF QUALITY

AUTOMOTIVE PRODUCTS, INC.



WARNING



Failure to follow these instructions could lead to death, personal injury, and / or property damage.

FASTENERS:

All Westin supplied fasteners must be utilized and installed in accordance with the installation instructions and apply torque to the specifications as defined. **DOUBLE CHECK ALL FASTENERS BEFORE INITIAL USE, AND PERIODICALLY IN THE FUTURE TO ENSURE PROPER FUNCTION AND SAFETY.**

DRILLING:

Most Westin products do not require drilling for installation. If drilling is defined as required, use caution when drilling a vehicle. **FAILURE TO REVIEW AN AREA TO BE DRILLED MAY RESULT IN PERSONAL INJURY AND/OR INJURY TO OTHERS AS WELL AS VEHICLE DAMAGE.**

EYE PROTECTION:

ALWAYS WEAR SAFETY GLASSES OR GOGGLES DURING THE INSTALLATION PROCESS TO AVOID PERSONAL INJURY.

MAXIMUM TOWING/CARRYING CAPACITY:

The Westin Receiver Hitches will have a visible tow rating label affixed directly on the product. User should never exceed the vehicle manufacturers maximum tow and weight rating regardless of the capacity of the hitch. **FAILURE TO FOLLOW THESE GUIDELINES WILL VOID THE WESTIN WARRANTY AND MAY RESULT IN PERSONAL INJURY AND/OR INJURY TO OTHERS AS WELL AS VEHICLE DAMAGE.**