

INSTALLATION INSTRUCTIONS

PRO TRAXX 4 & 5 OVAL STEP BARS



APPLICATION:

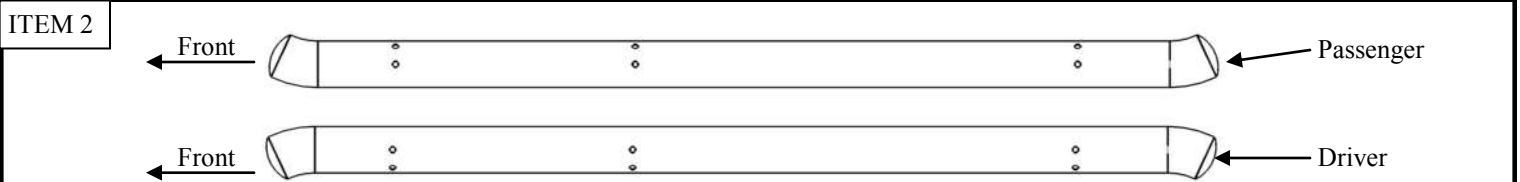
2019 Chevy Silverado/GMC Sierra 1500 Crew Cab & Double Cab (Excl. 2019 Silverado LD / Sierra 1500 Limited)

PART NUMBER:

21-24130, 21-24135, 21-54130, 21-54135, 21-24120, 21-24125, 21-54120, 21-54125

CONTENT			
ITEM	QUANTITY	DESCRIPTION	TOOLS NEEDED
1,2	2	STEP BAR ASSEMBLY (1 DRIVER, 1 PASSENGER)	10MM SOCKET
3	3	DRIVER MOUNTING BRACKET	10MM WRENCH
4	3	PASSENGER MOUNTING BRACKET	13MM SOCKET
5	6	PLASTIC BRACKET COVER	13MM WRENCH
6	12	M8 HEX HEAD CAP SCREW	16MM SOCKET
7	12	M8 SPLIT LOCK WASHER	16MM WRENCH
8	12	M8 FLAT WASHER	RATCHET
9	12	M10 BUTTON HEAD SCREW	TORQUE WRENCH
10	12	M10 TOOTHED LOCK WASHER	
11	12	M10 FLAT WASHER	
12	12	M6 HEX HEAD CAP SCREW	
13	24	M6 FLAT WASHER	
14	12	M6 NYLOCK NUT	
15	1	HEX KEY TOOL	

ANTI-SEIZE LUBRICANT MUST BE USED ON ALL STAINLESS STEEL FASTENERS TO PREVENT THREAD DAMAGE AND GALLING



Crew Cab shown; Double Cab will be shorter

Pro Traxx 4 Shown; Pro Traxx 5 Similar

ITEM 3 (Pro Traxx 4)	ITEM 4 (Pro Traxx 4)	ITEM 4 (Pro Traxx 5)	ITEM 4 (Pro Traxx 5)	ITEM 5



PROCEDURE

1. Remove contents from box, verify if all parts listed are present and free from damage.
Carefully read and understand all instructions before attempting installation.
Failure to identify damage before installation could lead to a rejection of any claim.
2. Starting on the driver side, remove the rubber plugs located on the rocker panel at each mounting location. See **Figure 1**.
3. **For models with threaded holes:** At each bracket mounting location on the rocker panel there should be a welded factory nut.



Figure 1

4. Loosely preinstall the Bracket Covers (5) to the Mounting Brackets using the included M6 Hardware. See **Figure 2**.
5. Partially install the M8 Hardware in the bottom of the rocker panel and then slide the Mounting Brackets (3 & 4) into place and install the remaining M8 Hardware. See **Figures 3 & 4**.

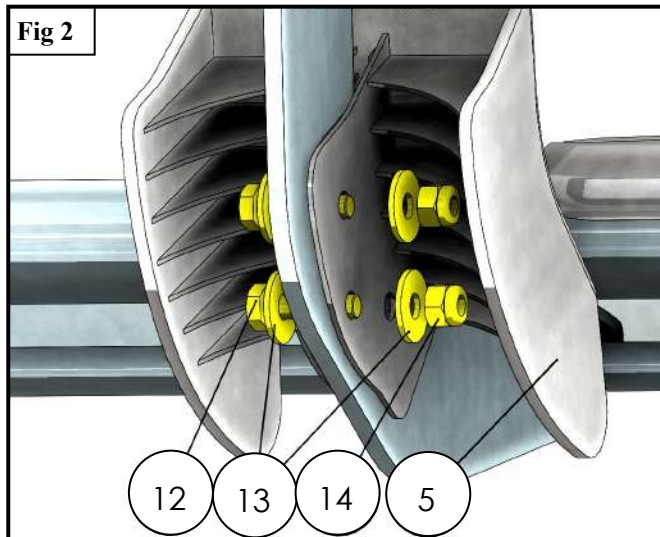


Fig 2

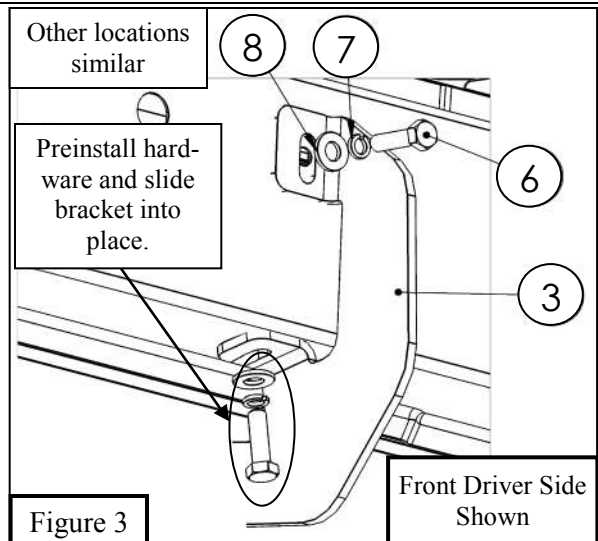


Figure 3

Passenger Side Rocker Panel

← Front

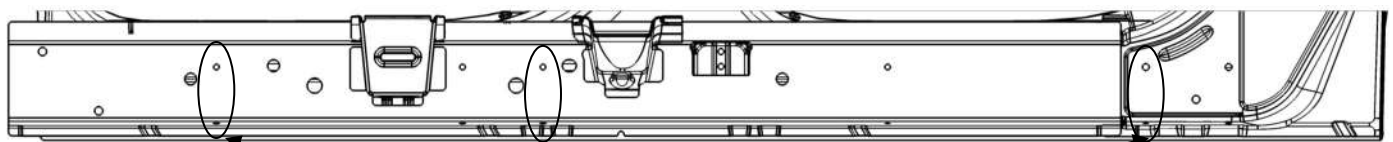
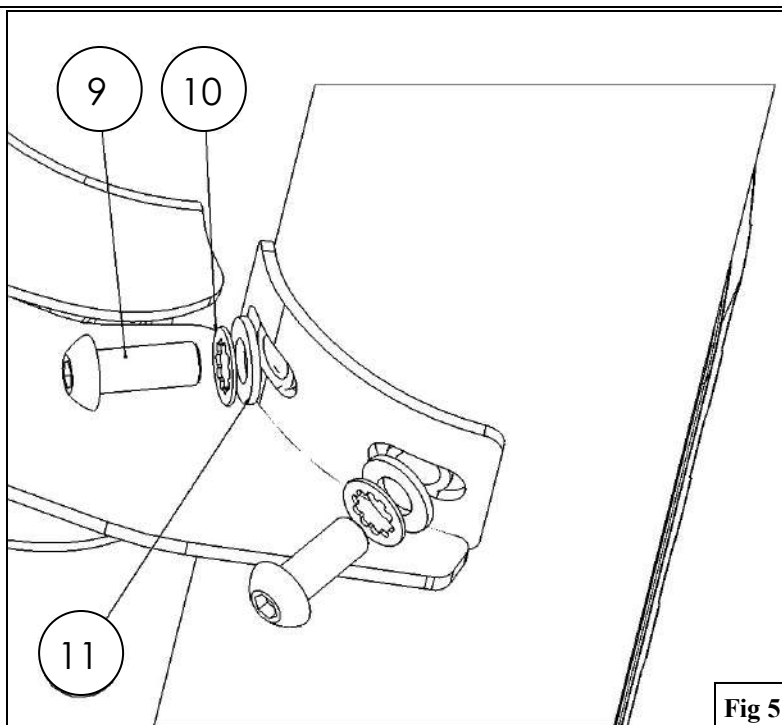


Figure 4

Mounting Locations

Driver Side Opposite

6. Fasten step bars respectively to either side using the included M10 hardware (9-11). See **Figure 5**.
7. Align and adjust the step bars as needed and fully tighten all hardware. Torque all M6 fasteners to 5-7 ft-lbs, all M8 fasteners to 15-18 ft-lbs, and all M10 fasteners to 30-35 ft-lbs.





WARNING



Failure to follow these instructions could lead to death, personal injury, and / or property damage.

Failure to follow these instructions could lead to death, personal injury, and / or property damage.

FASTENERS:

All Westin supplied fasteners must be utilized and installed in accordance with the installation instructions and apply torque to the specifications as defined. **DOUBLE CHECK ALL FASTENERS BEFORE INITIAL USE, AND PERIODICALLY IN THE FUTURE TO ENSURE PROPER FUNCTION AND SAFETY.**

DRILLING:

Most Westin products do not require drilling for installation. If drilling is defined as required, use caution when drilling a vehicle. **FAILURE TO REVIEW AN AREA TO BE DRILLED MAY RESULT IN PERSONAL INJURY AND/OR INJURY TO OTHERS AS WELL AS VEHICLE DAMAGE.**

EYE PROTECTION:

ALWAYS WEAR SAFETY GLASSES OR GOGGLES DURING THE INSTALLATION PROCESS TO AVOID PERSONAL INJURY.

MAXIMUM TOWING/CARRYING CAPACITY: (if applicable)

The Westin Receiver Hitches will have a visible tow rating label affixed directly on the product. User should never exceed the vehicle manufacturers maximum tow and weight rating regardless of the capacity of the hitch. **FAILURE TO FOLLOW THESE GUIDELINES WILL VOID THE WESTIN WARRANTY AND MAY RESULT IN PERSONAL INJURY AND/OR INJURY TO OTHERS AS WELL AS VEHICLE DAMAGE.**