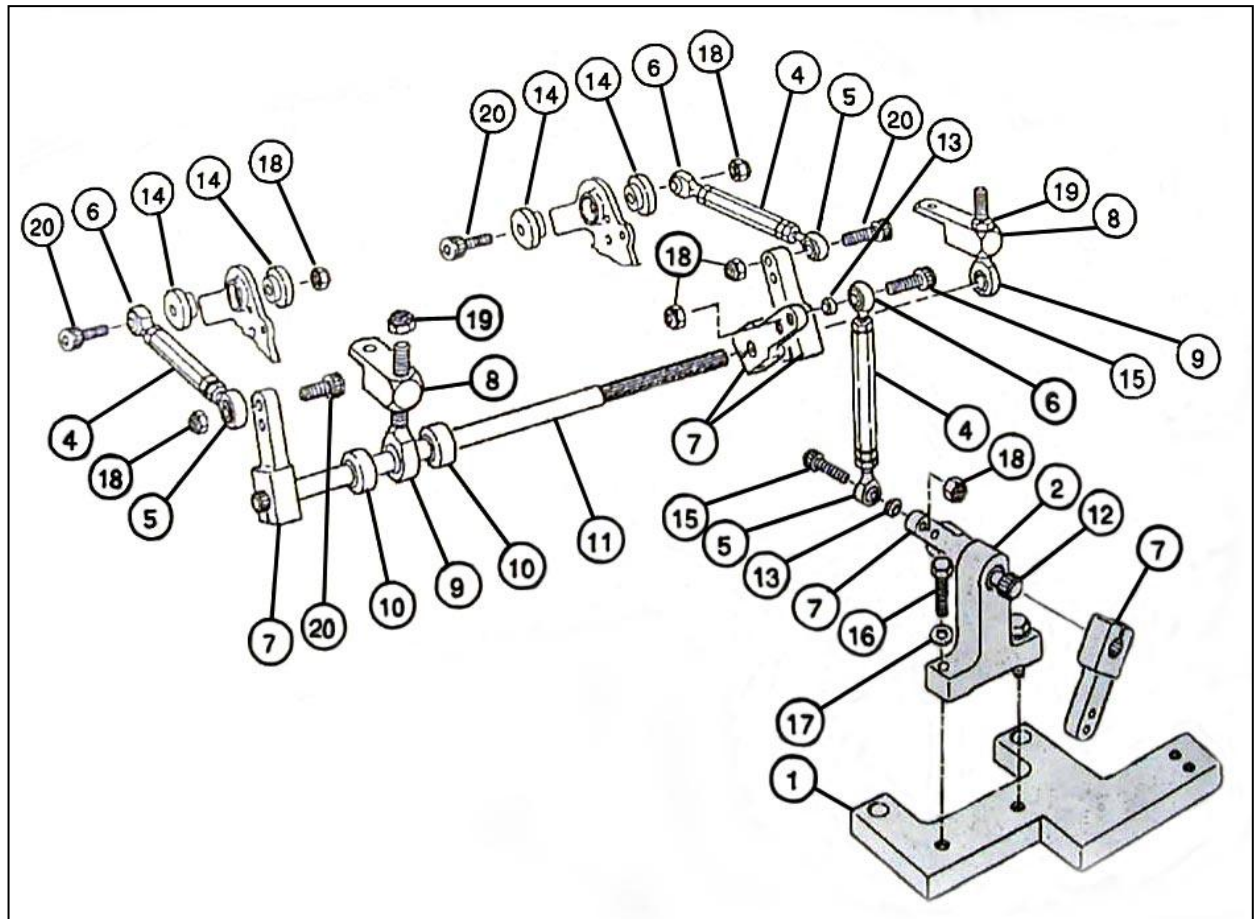




LINKAGE KIT PART #6980, #7166

Linkage rods (#4) may be positioned on either side of Lever Arms (#7).

<u>Item #</u>	<u>Qty.</u>	<u>Description</u>
1	(1)	Blower Case Bracket for "T" bar
2	(1)	Linkage "T" Bar with Bearing
3	(2)	7/16" x 3" Blower Studs (Not Shown)
4	(3)	4" Aluminum Hex Shaft
5	(3)	10-32 Left Hand Male Rod End
6	(3)	10-32 Right Hand Male Rod End
7	(5)	Splined Lever Arms
8	(2)	Linkage Support Bracket
9	(2)	5/16" Male Rod End
10	(2)	5/16" I.D. Locking Collar
11	(1)	5/16" x 12" Splined Shaft
12	(1)	5/16" x 1 3/4" Splined Shaft
13	(2)	Brass Rod End Spacer
14	(4)	Brass Linkage Pilot
15	(2)	10-32 x 7/8" Socket Head Cap Screw
16	(2)	1/4"-20 Hex Head Bolt
17	(2)	1/4" AN Washer
18	(6)	10-32 Nylon Lock Nut
19	(2)	5/16"-24 Nut
20	(4)	10-32 x 1" Socket Head Cap Screw



W543

Accept no compromises, choose only quality performance fuel system parts.

