

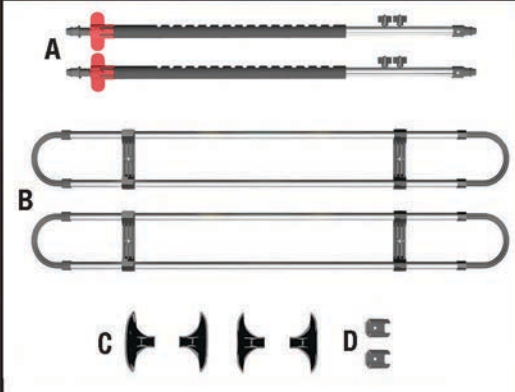
# WeatherTech® Pet Barrier



## Installation Instructions

Thank you for purchasing the WeatherTech® Pet Barrier. Please read this installation guide to thoroughly familiarize yourself with the steps necessary to install the Pet Barrier.

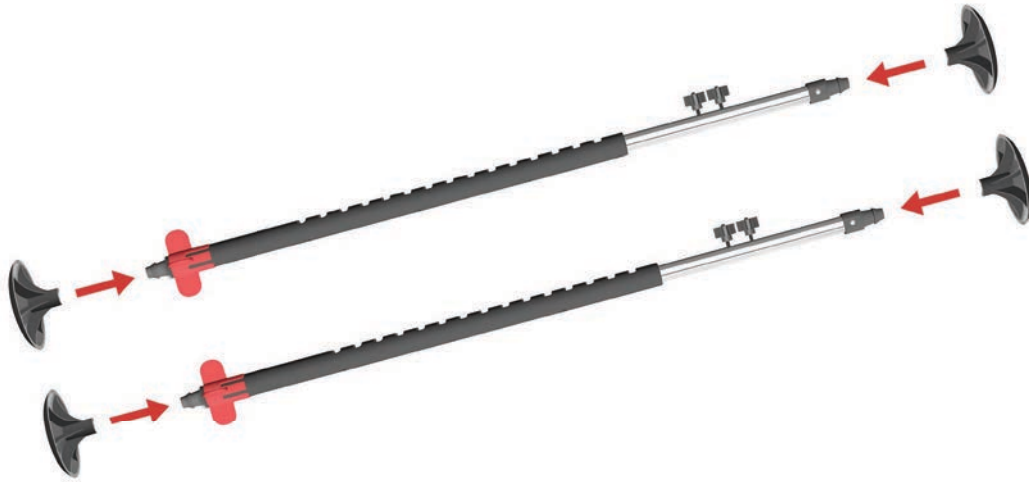


	<p><b>Parts List</b></p> <p>Remove all parts from the box and verify that all parts have been received.</p> <ul style="list-style-type: none"><li>A. (2) Vertical Bars</li><li>B. (2) Horizontal Bar Sets</li><li>C. (4) Feet</li><li>D. (2) Horizontal Bar Mounting Clips</li></ul>
---	--

### NOTES

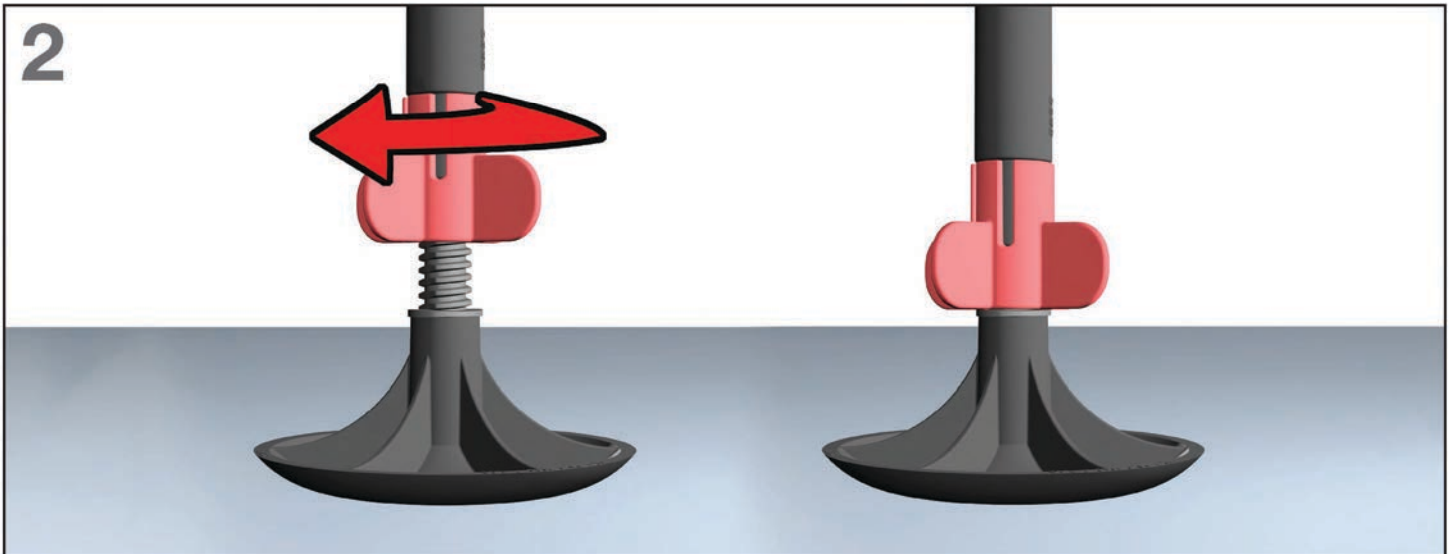
This product is not to be used as a cargo barrier. Any use of this product other than it's intended use voids the warranty and all liability. Check the adjustments occasionally on the Pet Barrier to make sure it remains securely in place.

1

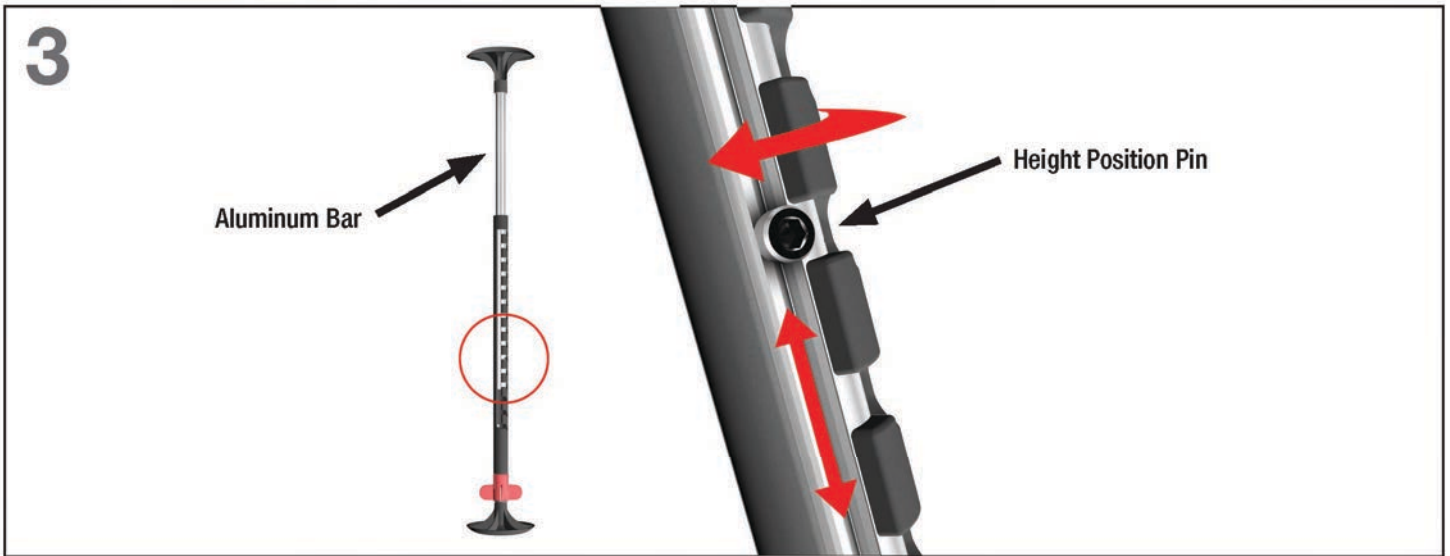


Place Feet on stable surface. Insert one end of the Vertical Bar into the tube opening of a Foot and push down until the bar snaps securely into Foot. Repeat to attach the remaining Feet to both ends of the Vertical Bars.

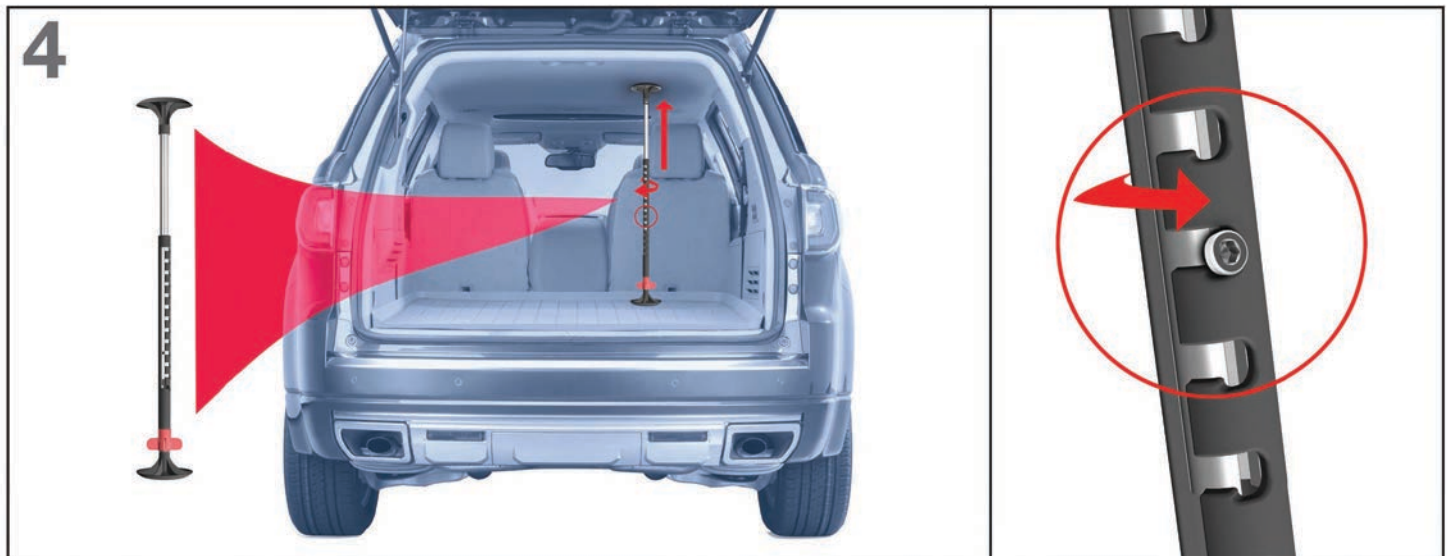
2



Hold the Vertical Bar upright with the red locking adjustment knob at the bottom. Rotate the red knob clockwise until the lower Foot is completely seated in the bar as shown. Repeat this process on the second bar.



Twist the Aluminum Bar to unlock the Height Position Pin. When in the unlocked position, the pin should be seen in the open channel area and the black upright should be able to slide freely up and down.



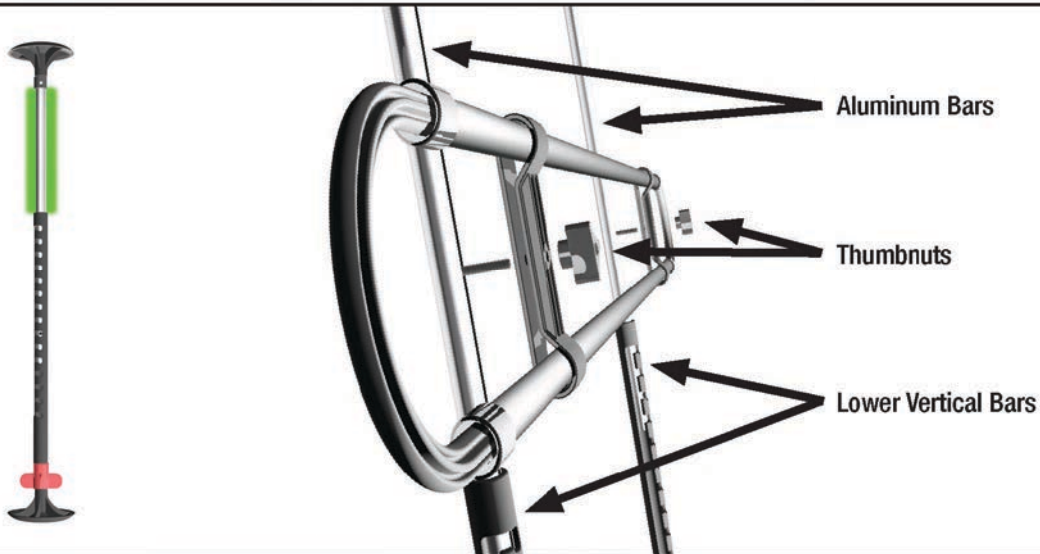
Place the first Vertical Bar into the vehicle behind the headrest and extend the Aluminum Bar until the top Foot touches the ceiling/headliner. Twist the Aluminum Bar to lock the pin into the nearest position and remove the Vertical Bar from vehicle.  
*While in the vehicle, please note approximately where the Horizontal Bars should be located on the Vertical Bars to best fit your vehicle and the size of your dog.*

5



Rotate and set the second Vertical Bar to the same height and lock position as the first Vertical Bar.

6



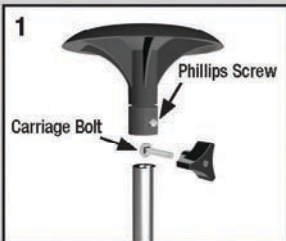
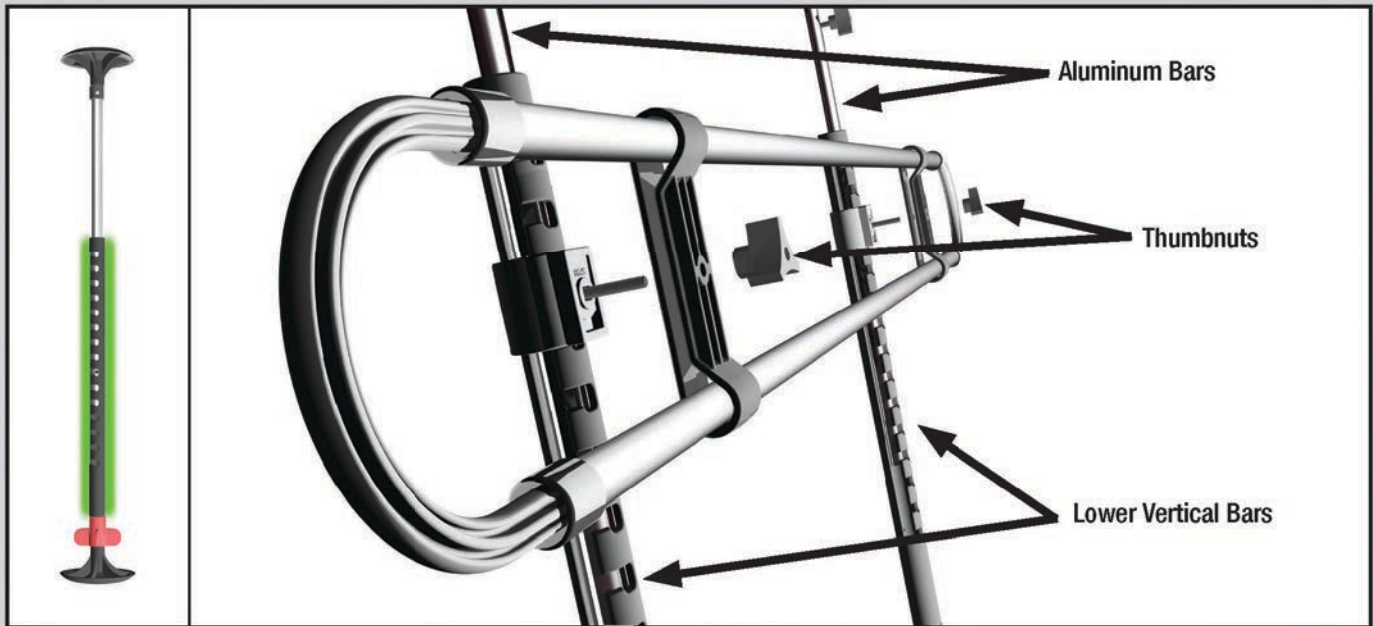
To attach the first Horizontal Bar Set, lay both Vertical Bars on a flat surface the approximate distance apart as they will be in your vehicle and remove all Thumbnuts. Install the Horizontal Bar Set onto the Carriage Bolt with the recessed side of the Horizontal Bar Bracket facing away from the Aluminum Bar. Fasten the Thumbnuts onto the Carriage Bolt to secure the Horizontal Bar Set into position. Repeat this process to attach the opposite side of the Horizontal Bar Set to the second Vertical Bar.

If the Horizontal Bar needs to be installed on the Lower Vertical Bars, see ***Installing Horizontal Bars to Lower Vertical Bars***.

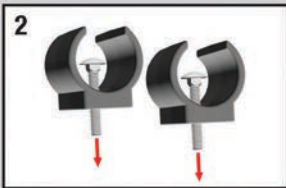


## If Necessary

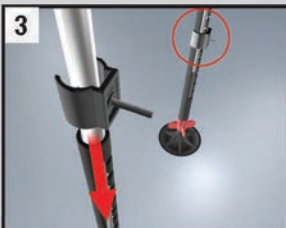
### Installing Horizontal Bar Set to Lower Vertical Bars



To install Horizontal Bars to the Lower Vertical Bars, first remove the upper Foot on the Vertical Bar by loosening the Phillips head screw. Remove one Carriage Bolt and Thumbnut, then reinstall the upper Foot mount and re-tighten the Phillips head screw.



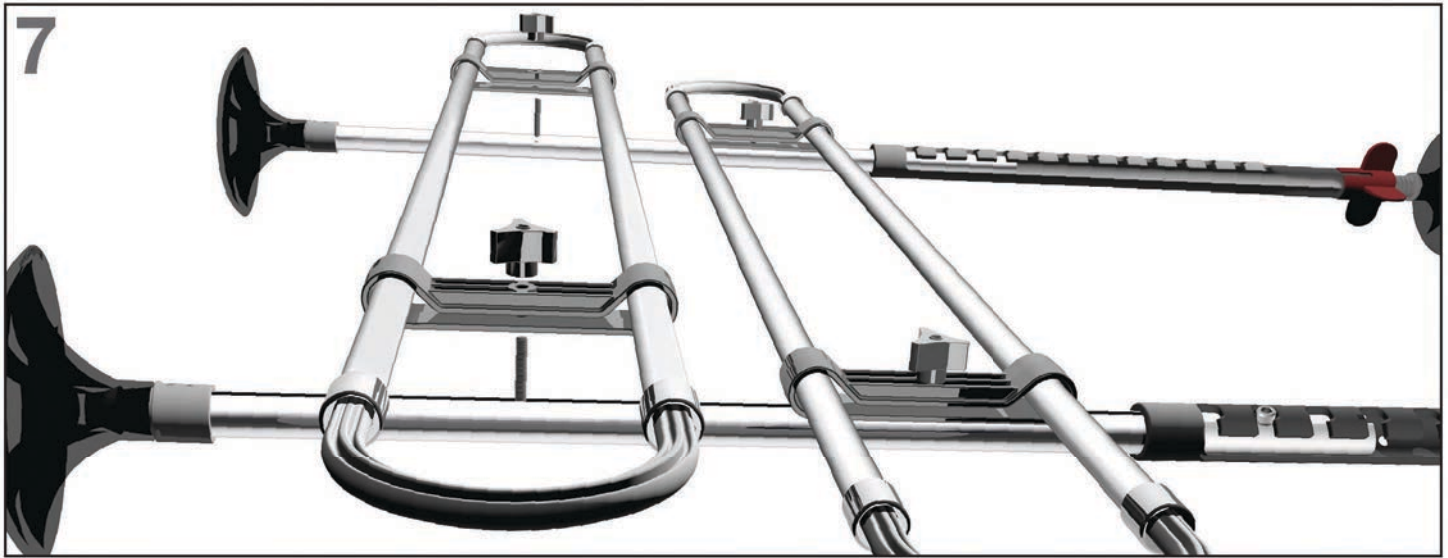
Remove the Thumbnut from the Carriage Bolt and install Carriage Bolt into the Mounting Clip. Repeat with the second Thumbnut and Carriage Bolt.



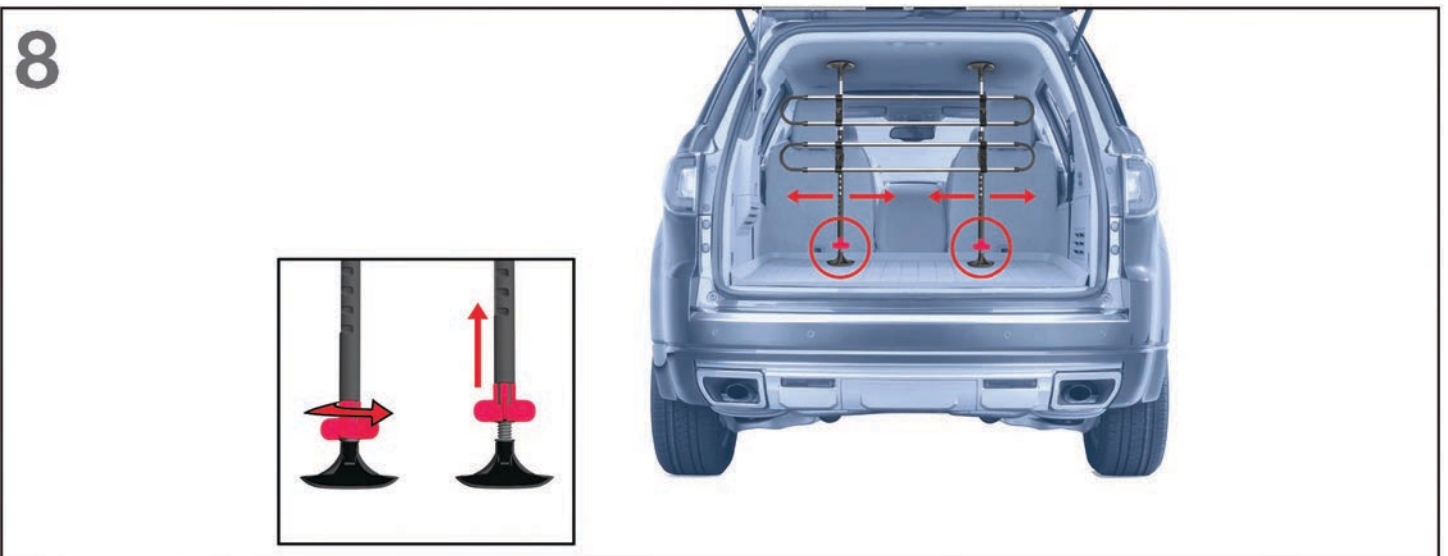
To snap the clip onto the Lower Vertical Bar, first snap the clips to the Aluminum Bar and then slide them down onto the Lower Vertical Bar.



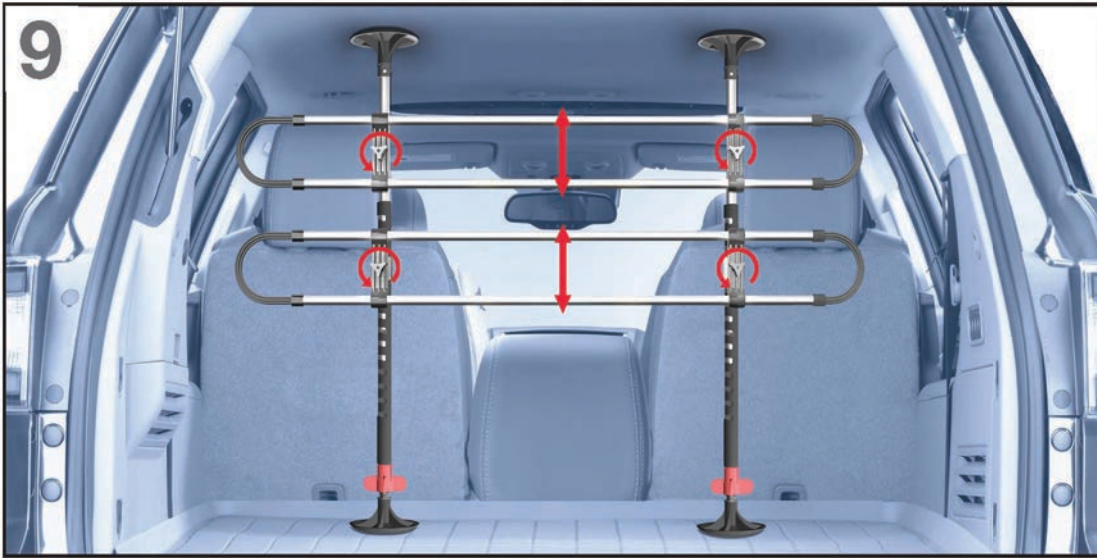
Install the first Horizontal Bar Set onto the mounting Clip with the recessed side of the Horizontal Bar Bracket facing away from the Lower Vertical Bar. Fasten the Thumbnut onto the Mounting Clip to secure the Horizontal Bars into position. Repeat this process to attach the opposite side.



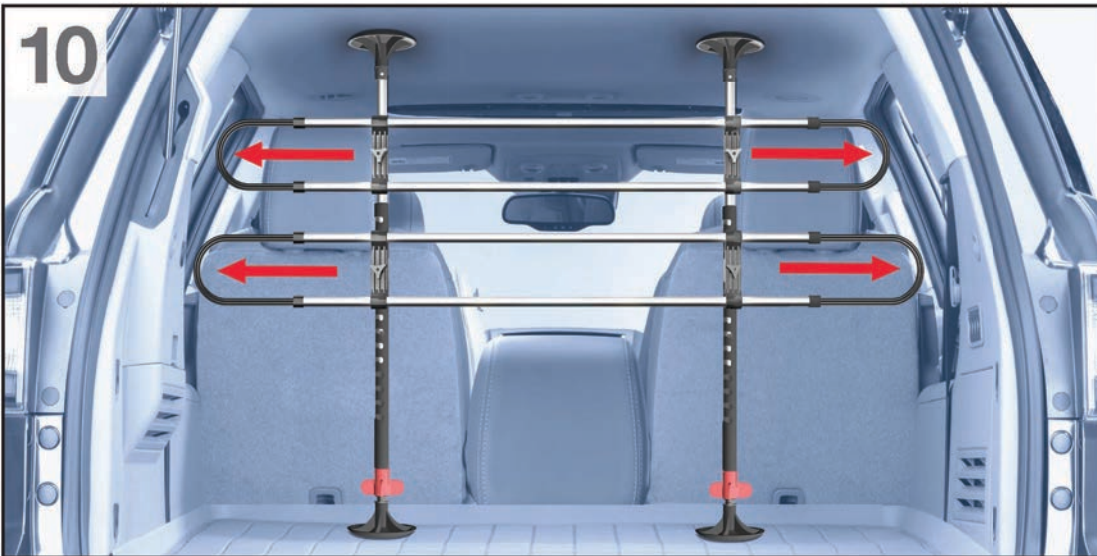
7  
Attach the second Horizontal Bar Set above the first Horizontal Bar Set by following the procedure outlined in Step 6.



8  
To install the completed assembly into your vehicle, place the upper Feet against the ceiling/headliner. Then slide the lower Feet into position. Rotate the red locking adjustment knobs counter-clockwise to extend the lower Feet and secure the Pet Barrier into place.

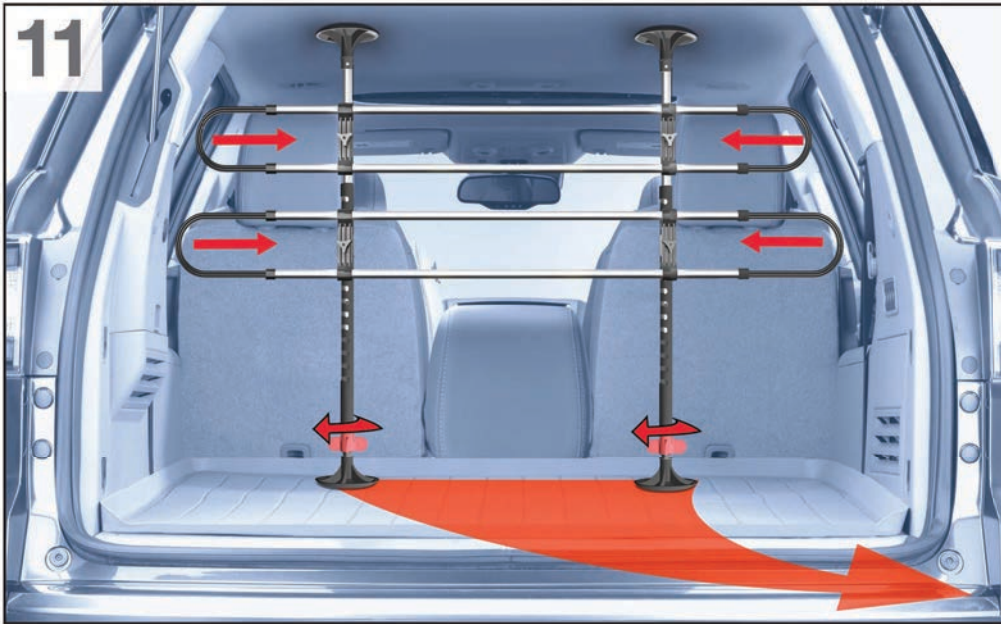


With Thumbnuts loose, make any final adjustments by sliding Horizontal Bar Sets up and down. We recommend even spacing between all horizontal bars. Once bars are optimally placed, tighten all Thumbnuts.



Slide the side extensions out of the Horizontal Bars and set within 4 inches of the sides of the vehicle. Be sure to leave a minimum of 3 inches of the extension inside of the Horizontal Bar.





To remove the Pet Barrier from your vehicle, push the Horizontal Bar extensions in and loosen the Vertical Bars by rotating the red locking adjustment knob clockwise.

**NOTE:** We recommend checking the adjustments occasionally to insure your Pet Barrier remains in place.