

WeatherTech®

Easy-On™ Stone & Bug Deflectors

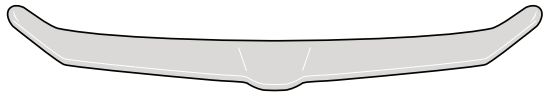
Important Safety Information



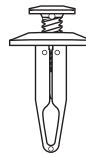
- CAUTION - Before driving, ensure that the hood shield is properly secured to vehicle.
- Do not use automatic "brush-style" car washes.
- Do not use cleaning solvents of any kind.
- Periodically check all components for tightness.

Contents

NOTE: Actual product may vary from illustration.



Hood shield



Fastener x6

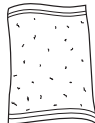


Bump On x4

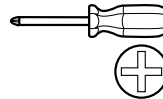
Tools Required



Car Wash Supplies



Clean Towel



Phillips Screwdriver



Grease pencil

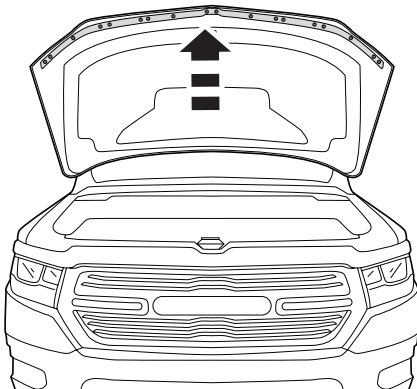
Preparation Before Painting / Installation

- A trial fit is recommended to ensure proper positioning and fit.
- Check fit of parts before painting as we will not accept the return of modified or painted parts.
- Wash and dry your vehicle to remove any debris and/or dirt from the installation area.

Installation Steps

NOTE: Actual application may vary slightly from illustrations.

Open hood. Note the location of the rubber seal on leading edge of hood.



1



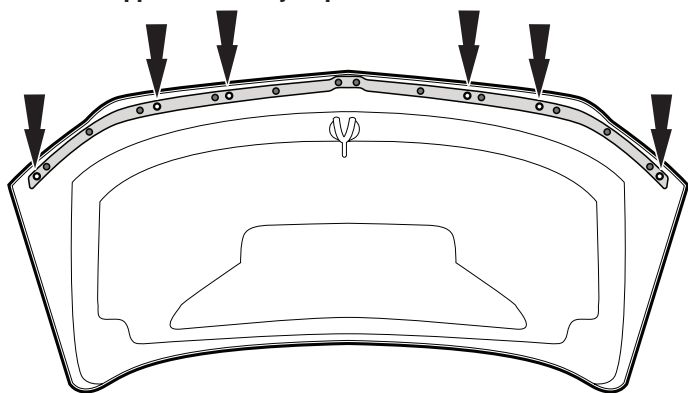
Center hood shield in place on hood. Use a grease pencil to mark the locations on rubber seal that correspond to holes in hood shield flange.

2

Installation Steps **NOTE:** Actual application may vary slightly from illustrations.

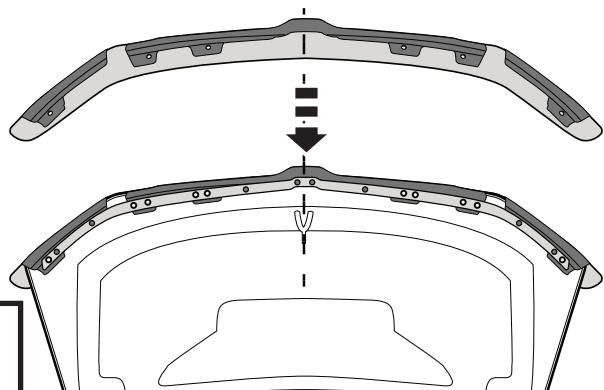
Remove hood shield from hood. Remove the corresponding factory installed rubber seal retaining fasteners that were marked in **Step 2**.
NOTE: Some applications may require additional fasteners to be removed in order to fully access the holes underneath.

3



NOTE: Exercise extreme caution not to tear or damage the rubber seal when separating from hood.

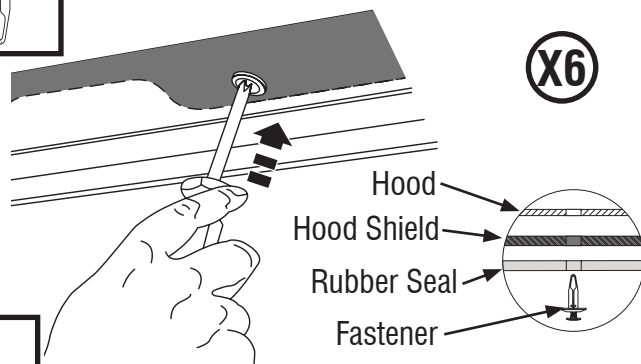
Center hood shield on hood, and slide hood shield flanges **UNDER** the rubber seal. Align hood shield flanges with holes in hood.



4



Install a fastener at each flange location.



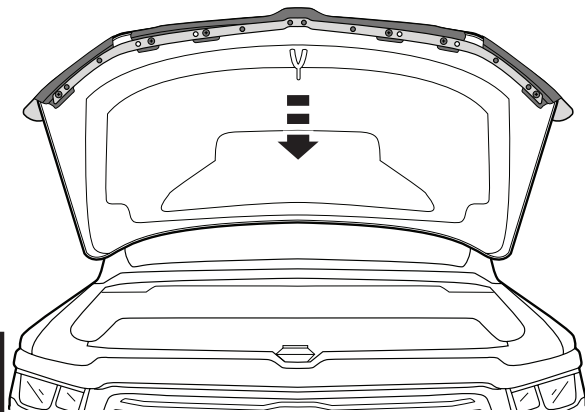
X6

Hood
Hood Shield
Rubber Seal
Fastener

Do not overtighten

5

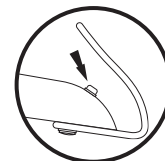
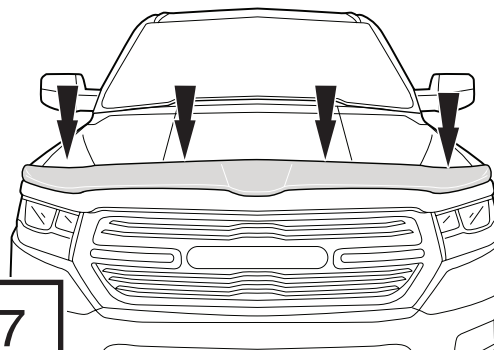
Close hood. Adjust hood bump stops to raise hood as needed.



6



Install bump ons at pre-cleaned locations on the painted hood surface.



7

Care and Cleaning

- Wash only with mild soap & dry with a clean cloth.