

WeatherTech®

Easy-On™ Stone & Bug Deflectors

Important Safety Information



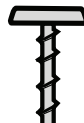
- CAUTION - Before driving, ensure that the hood shield is properly secured to vehicle.
- Do not use automatic "brush-style" car washes.
- Do not use cleaning solvents of any kind.
- Periodically check all components for tightness.

Contents

NOTE: Actual product may vary from illustration.



Hood shield



Screw
x 6



Receptacle
x 6



Bump On
x4

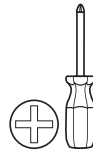
Tools Required



Car Wash Supplies



Clean Towel



Phillips
screwdriver



Grease Pencil

Preparation Before Painting / Installation

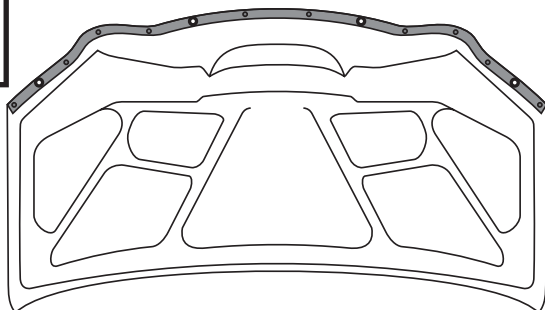
- A trial fit is recommended to ensure proper positioning and fit.
- Check fit of parts before painting as we will not accept the return of modified or painted parts.
- Wash and dry your vehicle to remove any debris and/or dirt from the installation area.

Installation Steps

NOTE: Actual application may vary slightly from illustrations.



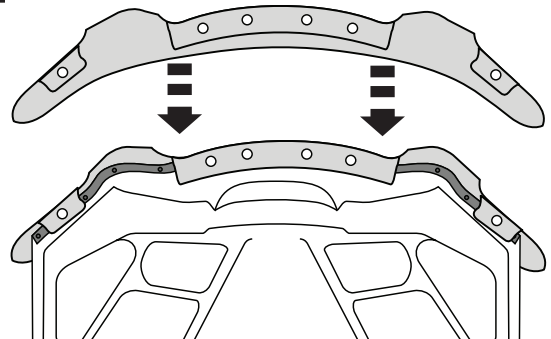
Raise hood and clean the leading edge thoroughly, and allow to dry.



1



Test fit hood shield by centering it on the hood edge. Note where the mounting holes in the hood shield flange will be and mark with a grease pencil.



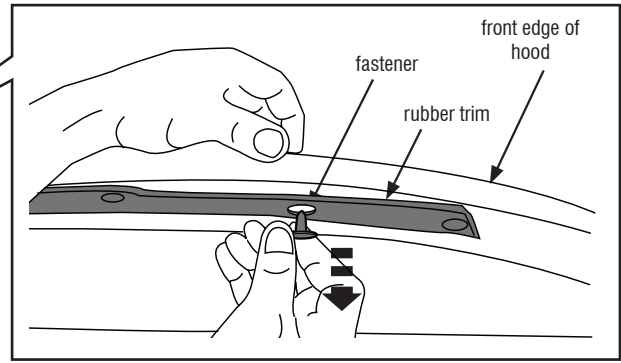
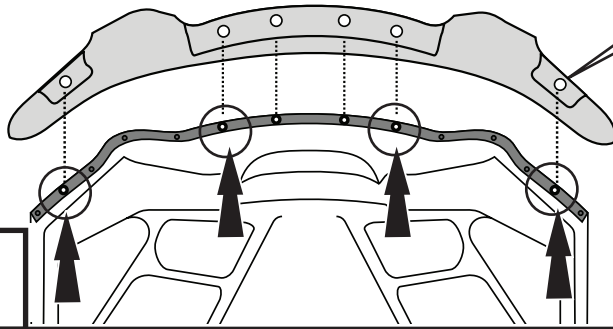
2

Installation Steps

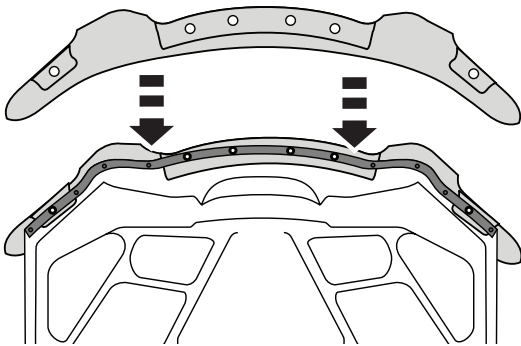
NOTE: Actual application may vary slightly from illustrations.

Remove the corresponding fasteners from the rubber trim piece. This is necessary in order for the hood shield flanges to slide **under** the rubber trim piece. **NOTE:** It may be necessary to remove additional fasteners in order to accommodate the flange, depending on size.

3



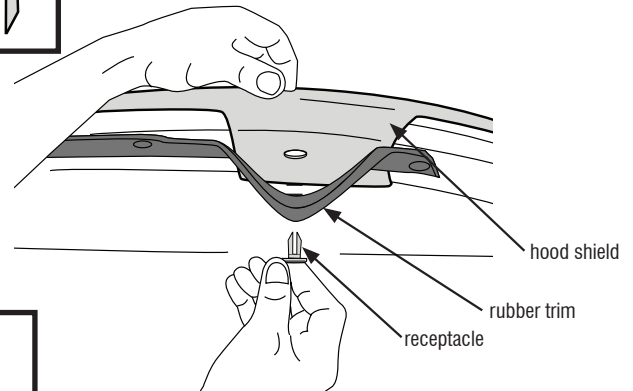
Position the hood shield with the flanges sliding **between** the hood and rubber seal. Align holes.



4



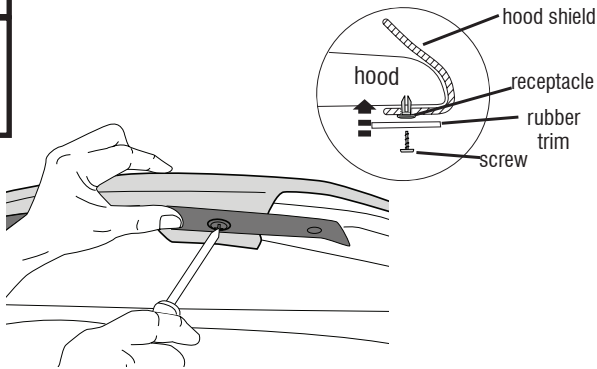
Insert (6) receptacles **UNDER** rubber trim and through hood shield, and then into hood.



5



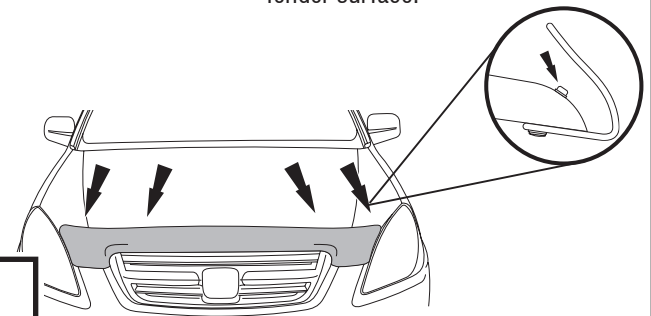
Insert (6) screws through rubber trim and into receptacles and apply pressure while tightening screw to secure to hood.



6



Lower hood, adjust hood bumper stops to ensure hood shield clears grille and headlights. Install bump ons at pre-cleaned locations on the painted hood/fender surface.



7

Care and Cleaning

- Wash only with mild soap & dry with a clean cloth.

MacNeil
AUTOMOTIVE
PRODUCTS LIMITED