

WeatherTech®

Easy-On™ Stone & Bug Deflectors

Important Safety Information



- CAUTION - Before driving, ensure that the hood shield is properly secured to vehicle.
- Do not use automatic “brush-style” car washes.
- Do not use cleaning solvents of any kind.
- Periodically check all components for tightness.

Contents

NOTE: Actual product may vary from illustration.



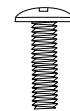
Hood shield



Alcohol pad x2



Self Tapping Screw x4
(98023)



Machine Screw x2
(04-4128)



Bracket x2
(39-1956)



Protective Film x2
(45-3601)



White Plastic Washer x4
(98022)



Black Plastic Washer x2
(37-4106)

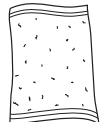


Bump On x4
(98024)

Tools Required



Car Wash Supplies



Clean Towel



Phillips screwdriver



Grease pencil

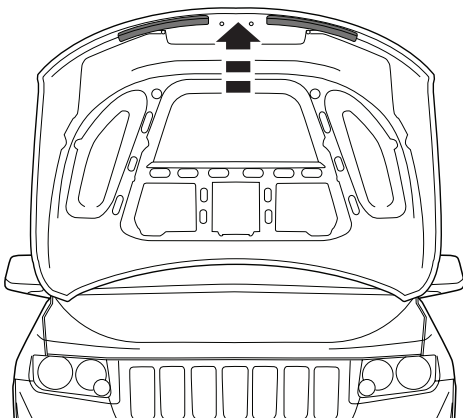
Preparation Before Painting / Installation

- A trial fit is recommended to ensure proper positioning and fit.
- Check fit of parts before painting as we will not accept the return of modified or painted parts.
- Wash and dry your vehicle to remove any debris and/or dirt from the installation area.

Installation Steps

NOTE: Actual application may vary slightly from illustrations.

Open hood.

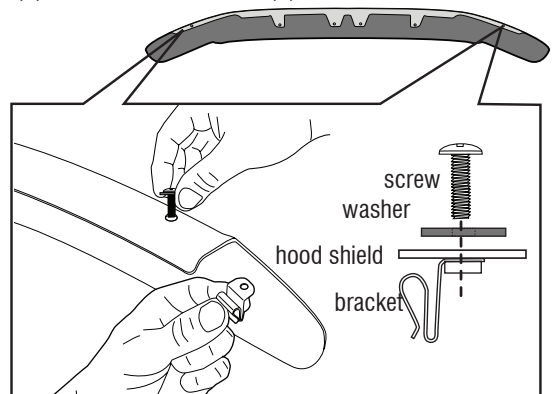


1




2

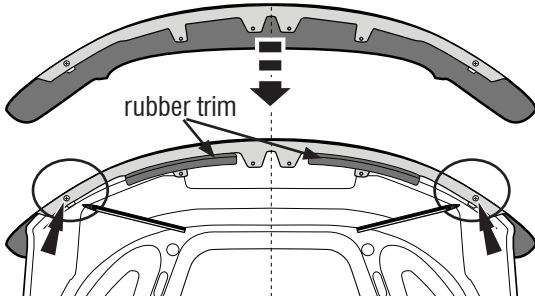
Install (2) brackets on hood shield flange using (2) machine screws and (2) black plastic washers.



Installation Steps

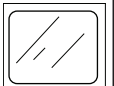
NOTE: Actual application may vary slightly from illustrations.

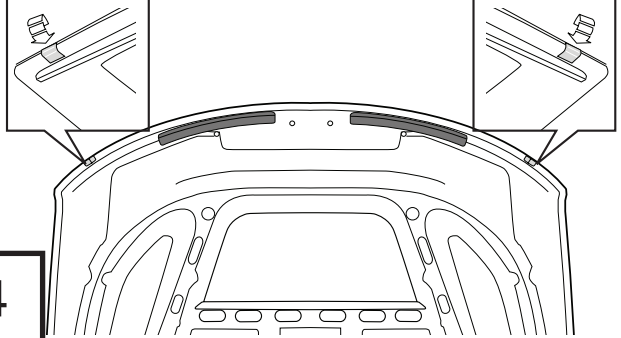
 Align holes in hood shield with center of hood in order to center part in place. Slide (2) center flanges underneath rubber seal on hood. Note the location where the brackets will align with hood edge and mark with a grease pencil. Remove hood shield.




3

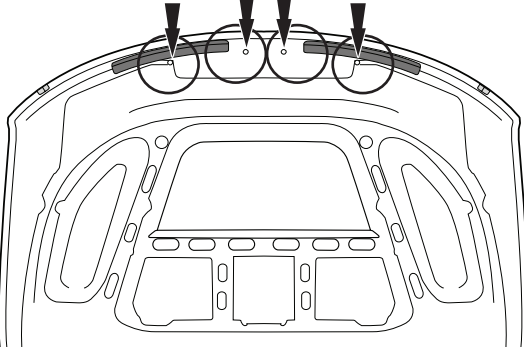
rubber trim

 Center a piece of protective film over each grease pencil mark, and wrap around the hood edge.



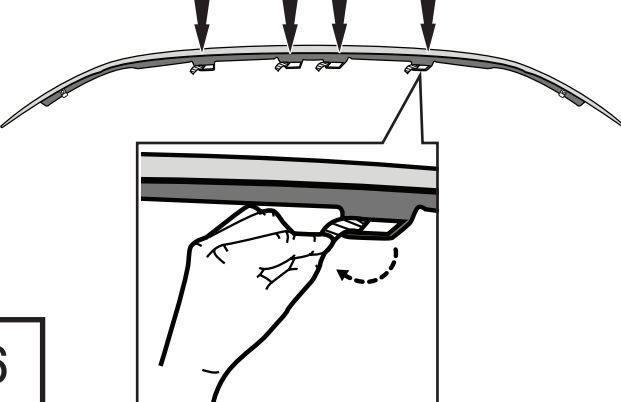
4

 Clean remaining (4) mounting locations using alcohol pads and allow to dry.



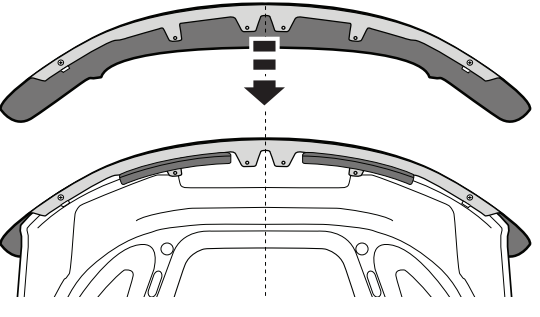
5

Remove red tape liner from (4) flange locations to expose adhesive.



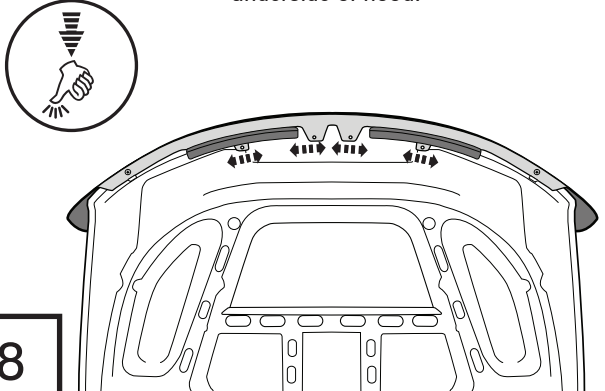
6

Position hood shield back in place on hood.




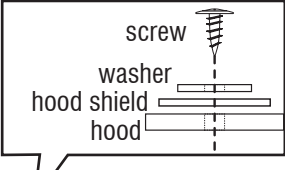
7

Apply pressure to (4) tape flanges to ensure adhesion of tape to underside of hood.

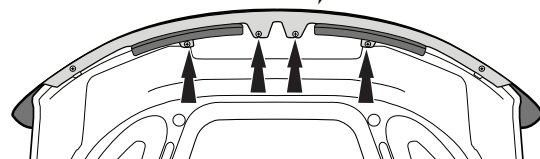


8

 Insert (4) self tapping screws with (4) white plastic washers through the hood shield and into the hood. Securely tighten.



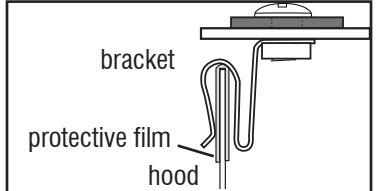
screw
washer
hood shield
hood



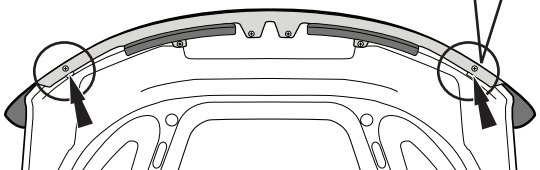
9

Slide each end bracket over hood edge, ensuring that each is centered on the protective film previously installed in **Step 4**.

NOTE: It may be necessary to remove excess caulk with a razor blade.



bracket
protective film
hood



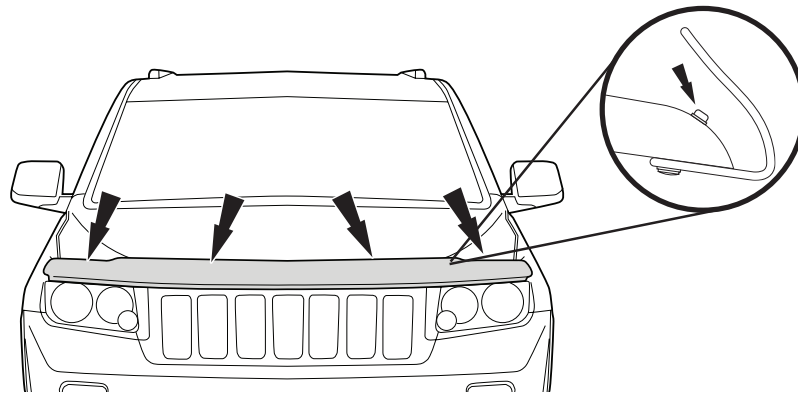
10

Installation Steps

NOTE: Actual application may vary slightly from illustrations.



Close hood and install (4) bump ons at pre-cleaned locations on the painted hood surface.



11

Care and Cleaning

- Wash only with mild soap & dry with a clean cloth.