

WeatherTech®

Easy-On™ Stone & Bug Deflectors

Important Safety Information



- CAUTION - Before driving, ensure that the hood shield is properly secured to vehicle.
- Do not use automatic "brush-style" car washes.
- Do not use cleaning solvents of any kind.
- Periodically check all components for tightness.

Contents

NOTE: Actual product may vary from illustration.



Hood shield



Bump Ons x4



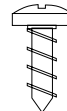
Fasteners x2
(98059)



Hood Insert x4
(39-4150)



Washer x4
(98022)



Screws x4
(98023)

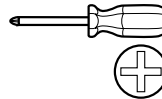
Tools Required



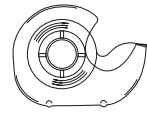
Car Wash Supplies



Clean Towel



Phillips Screwdriver



Tape

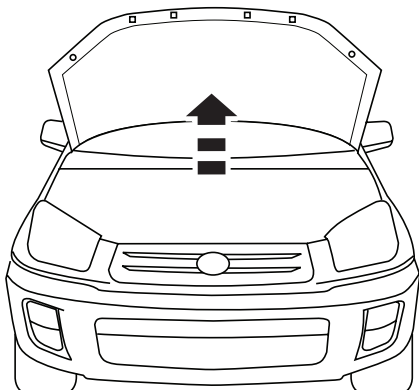
Preparation Before Painting / Installation

- A trial fit is recommended to ensure proper positioning and fit.
- Check fit of parts before painting as we will not accept the return of modified or painted parts.
- Wash and dry your vehicle to remove any debris and/or dirt from the installation area.

Installation Steps

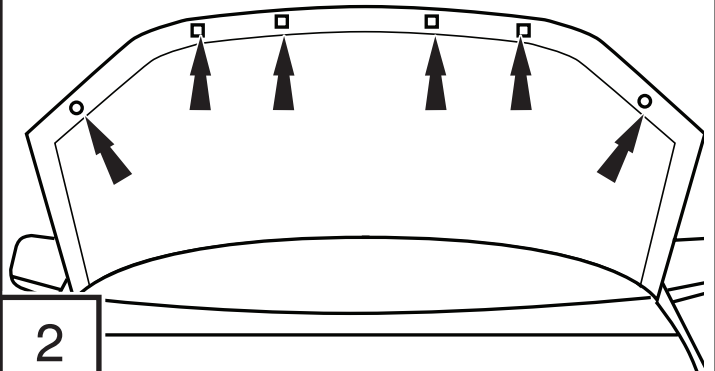
NOTE: Actual application may vary slightly from illustrations.

Open hood.



1

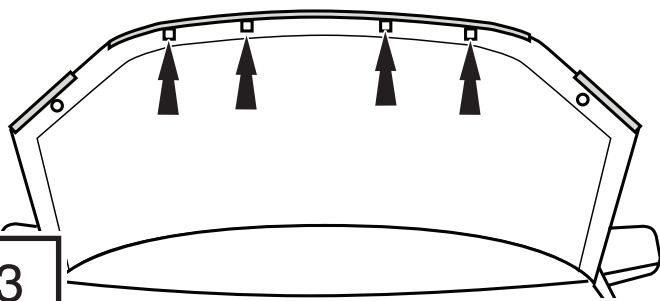
Locate (4) square holes and (2) round holes on underside of hood.



2

Installation Steps NOTE: Actual application may vary slightly from illustrations.

Note the location of the (4) square holes.

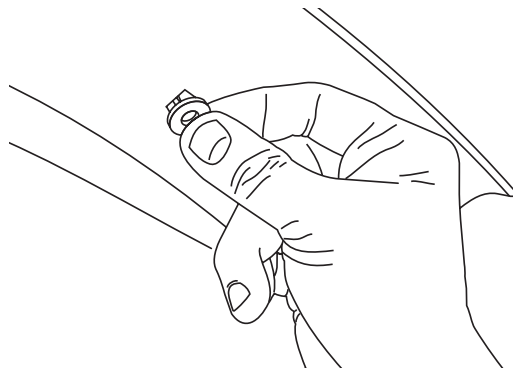


3

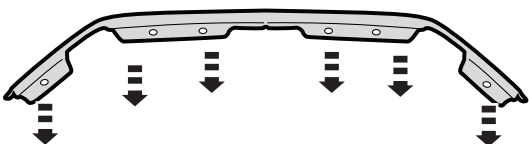


4

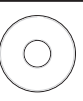
Press (4) hood inserts into the (4) square holes. If necessary use tape to hold them firmly in place.



Align pre-drilled holes in hood shield with holes in hood. Place hood shield on hood, ensuring protective film is between the hood shield flange and hood edge.

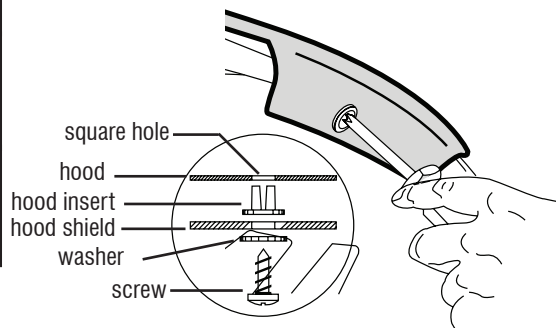


5



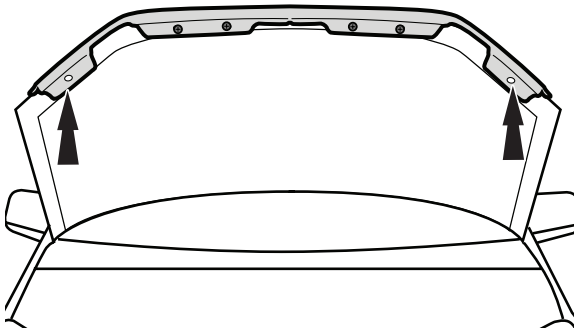
6

Using a phillips screwdriver install (4) screws with (4) washers at the locations noted in Step 3.



DO NOT OVER TIGHTEN

Note the location of the (2) remaining holes.

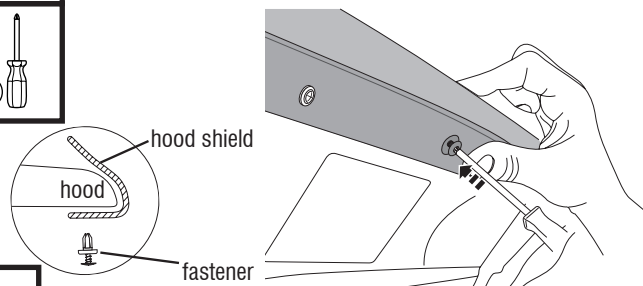


7



8

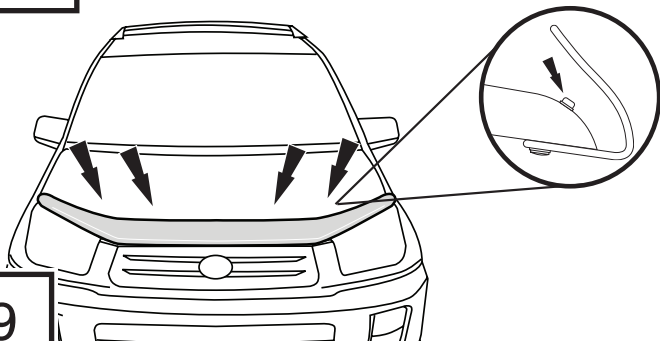
Insert (1) fastener and push firmly through hole in hood shield and into hood to secure. Repeat for remaining hole location.



DO NOT OVER TIGHTEN



Close hood, and install bump ons at pre-cleaned locations on the painted hood surface.



9

Care and Cleaning

- Wash only with mild soap & dry with a clean cloth.