

# WeatherTech®

## Easy-On™ Stone & Bug Deflectors

### Important Safety Information



- CAUTION - Before driving, ensure that the hood shield is properly secured to vehicle.
- Do not use automatic "brush-style" car washes.
- Do not use cleaning solvents of any kind.
- Periodically check all components for tightness.

### Contents

**NOTE:** Actual product may vary from illustration.



Hood shield



Alcohol pad x2



Fastener Assembly x4



Machine Screw x2  
(04-4128)



Bracket x2  
(39-1956)



Protective Film x2  
(45-3601)



Black Plastic Washer x2  
(37-4106)

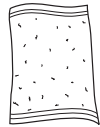


Bump On x4  
(98024)

### Tools Required



Car Wash Supplies



Clean Towel



Phillips screwdriver



Grease pencil

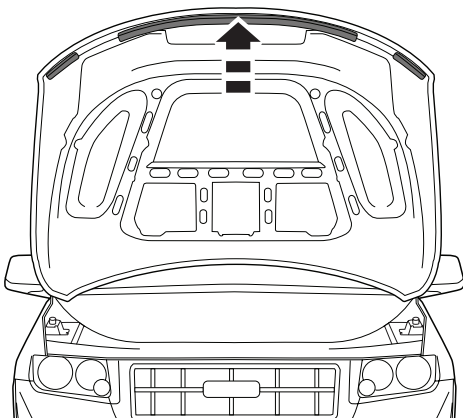
### Preparation Before Painting / Installation

- A trial fit is recommended to ensure proper positioning and fit.
- Check fit of parts before painting as we will not accept the return of modified or painted parts.
- Wash and dry your vehicle to remove any debris and/or dirt from the installation area.

### Installation Steps

**NOTE:** Actual application may vary slightly from illustrations.

Open hood.

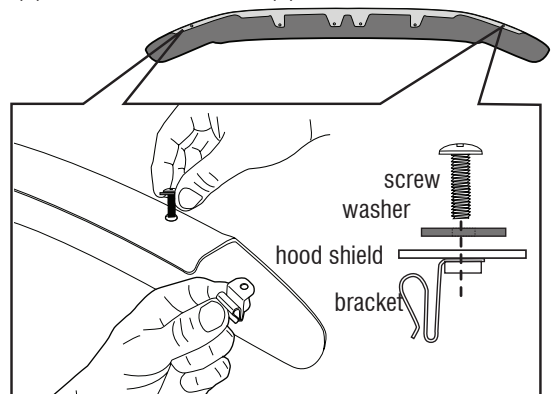


1



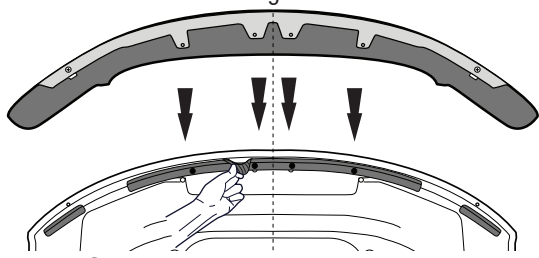
2

Install (2) brackets on hood shield flange using (2) machine screws and (2) black plastic washers.



# Installation Steps **NOTE:** Actual application may vary slightly from illustrations.

Remove (4) plastic seal retaining fasteners that align with the pre-drilled holes in the hood shield. Next, carefully separate the hood seal / gasket from the areas of the hood that align with the hood shield flange.

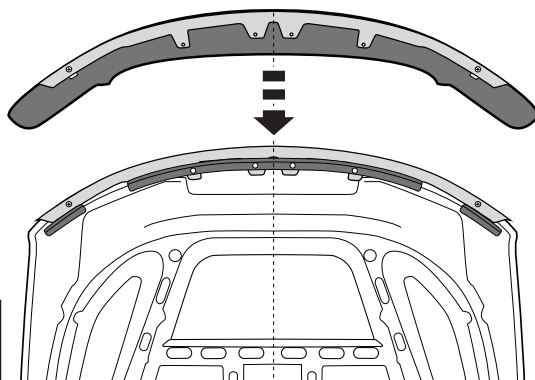


3



**NOTE:** Exercise extreme caution not to tear or damage the hood seal / gasket when separating from hood.

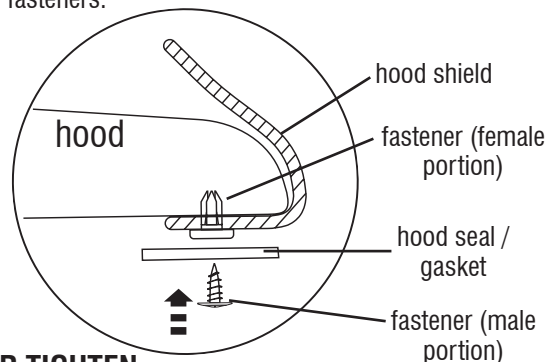
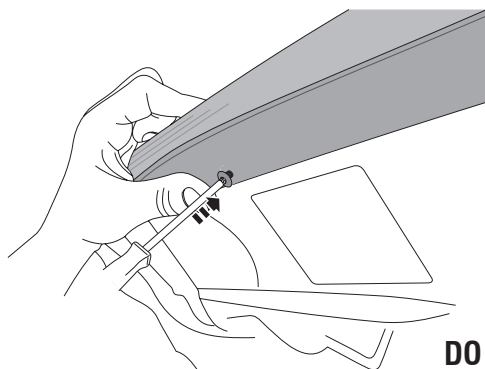
Reposition the hood shield with the tabs sliding between the hood and rubber seal and align with holes.



4

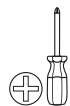


Separate Fastener Assembly in two pieces. Gently pull back hood seal / gasket and place the female portion of fastener through hood shield and into hood. Replace hood seal / gasket. Install male portion of fastener as illustrated. Repeat for remaining (3) fasteners.

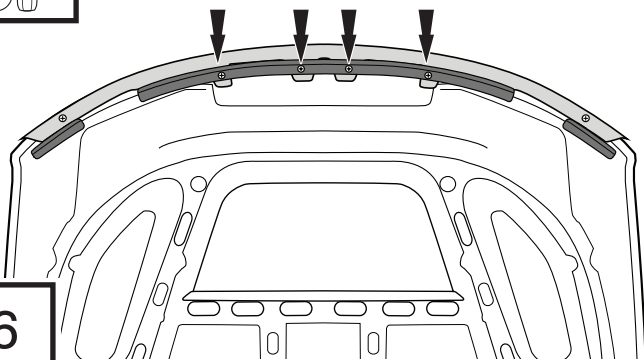


5

**DO NOT OVER TIGHTEN**



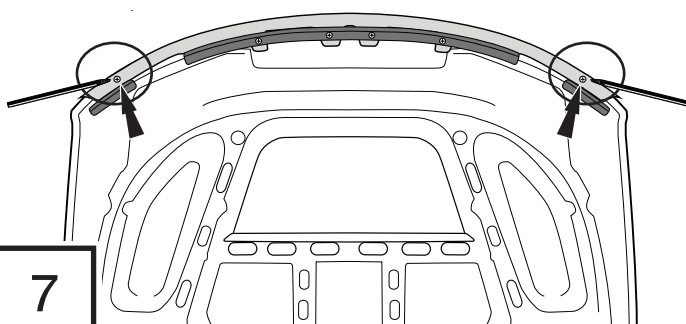
Tighten all (4) fasteners until snug to secure hood shield to hood.



6

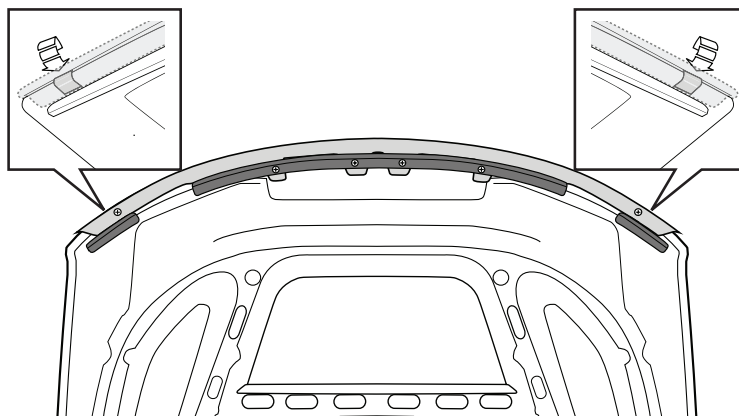
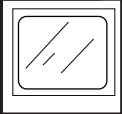


Note the location where the brackets will align with hood edge and mark with a grease pencil.



7

Center a piece of protective film over each grease pencil mark, and wrap around the hood edge.

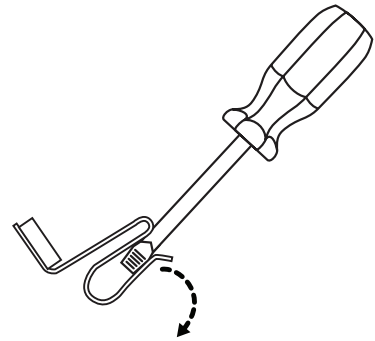
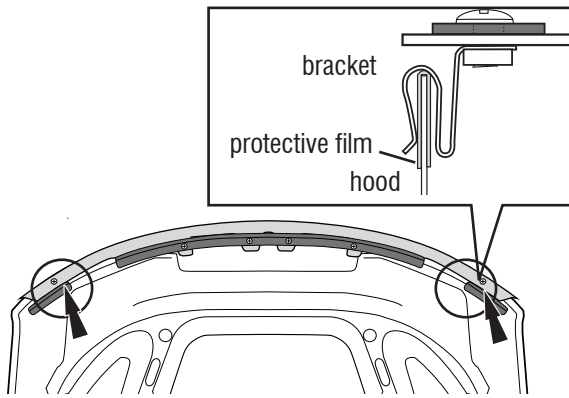


8

# Installation Steps **NOTE:** Actual application may vary slightly from illustrations.

Slide each end bracket over hood edge, ensuring that each is centered on the protective film previously installed.

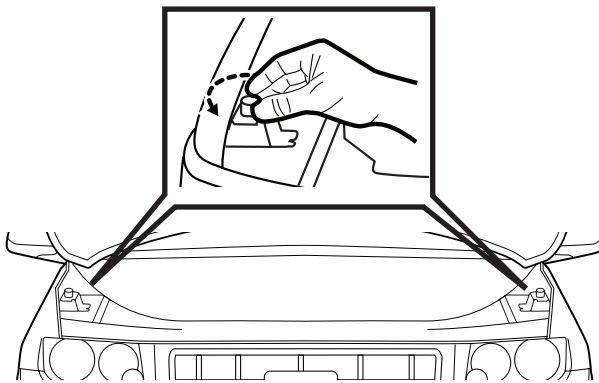
9



Adjust as needed.

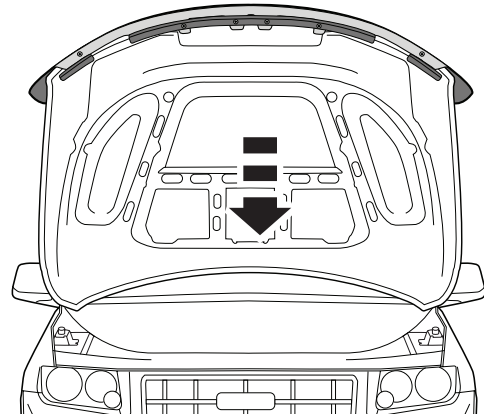
Turn both of the hood bumpers counter clockwise 1 1/2 turns.

10



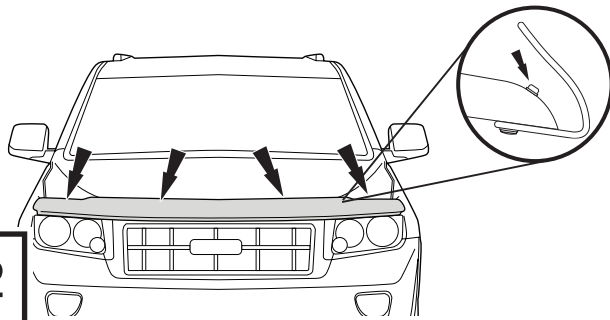
Close Hood.

11



Apply (4) bump ons to surface of hood.

12



## Care and Cleaning

- Wash only with mild soap & dry with a clean cloth.