

WeatherTech®

Easy-On™ Stone & Bug Deflectors

Important Safety Information



- CAUTION - Before driving, ensure that the hood shield is properly secured to vehicle.
- Do not use automatic "brush-style" car washes.
- Do not use cleaning solvents of any kind.
- Periodically check all components for tightness.

Contents

NOTE: Actual product may vary from illustration.



Hood shield



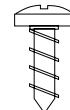
Bump On
x4
(98024)



Hood Insert
x2
(39-4150)



Washer
x2
(98022)



Screws
x2
(98023)

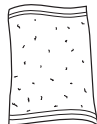


Fastener
x2
(45-4111)

Tools Required



Car Wash Supplies



Clean Towel



Phillips
screwdriver



Tape

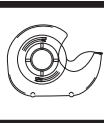
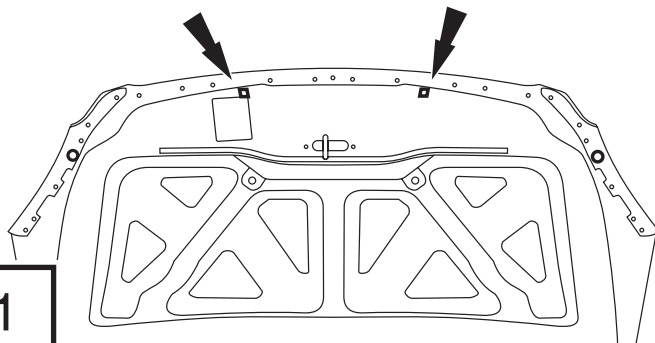
Preparation Before Painting / Installation

- A trial fit is recommended to ensure proper positioning and fit.
- Check fit of parts before painting as we will not accept the return of modified or painted parts.
- Wash and dry your vehicle to remove any debris and/or dirt from the installation area.

Installation Steps

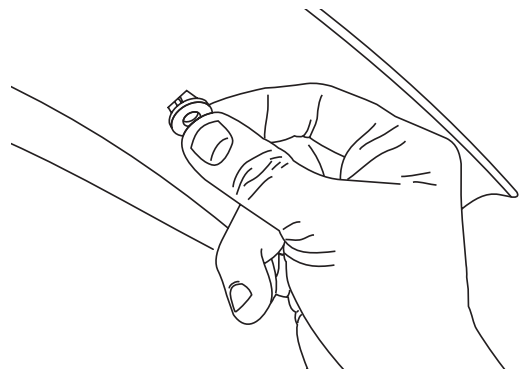
NOTE: Actual application may vary slightly from illustrations.

Open hood. Locate (2) square holes on the underside of hood and clean this area.



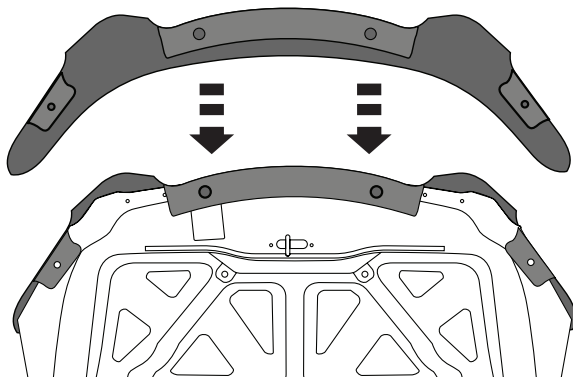
2

Press (2) hood inserts into the (2) square holes. If necessary use tape to hold them firmly in place.

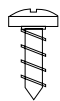


Installation Steps **NOTE:** Actual application may vary slightly from illustrations.

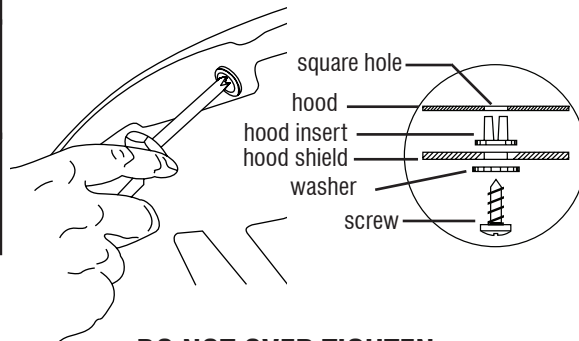
Set the hood shield in place.



3



Using a phillips screwdriver install (2) screws with (2) washers to the two (2) inboard holes through the hood inserts.

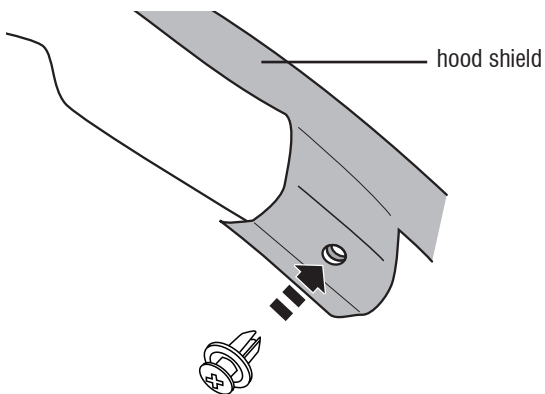


4

DO NOT OVER TIGHTEN



Insert (2) fasteners through hood shield and into the outboard holes in hood.

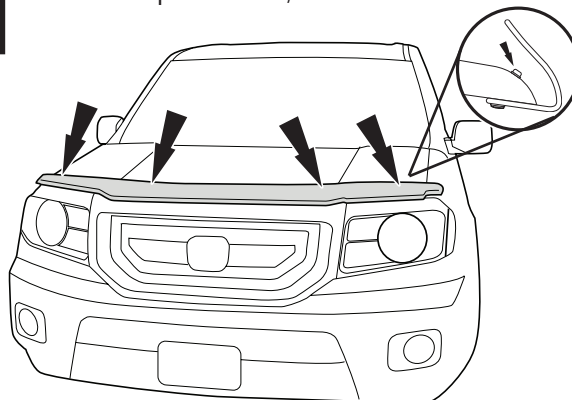


5



Install bump ons at pre-cleaned locations on the painted hood/fender surface.

6



Care and Cleaning

- Wash only with mild soap & dry with a clean cloth.