

# WeatherTech®

## Easy-On™ Stone & Bug Deflectors

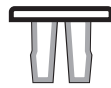
### Important Safety Information

- ⚠ CAUTION - Before driving, ensure that the hood shield is properly anchored to vehicle.
- Do not use automatic “brush-style” car washes.
- Do not use cleaning solvents of any kind.
- Periodically check all components for tightness.

### Contents **NOTE:** Actual product may vary from illustration.



Hood Shield



Hood Insert x6



Washer x6



Screw x6

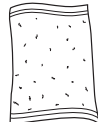


Bump On x4

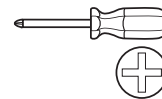
### Tools Required



Car Wash Supplies



Clean Towel



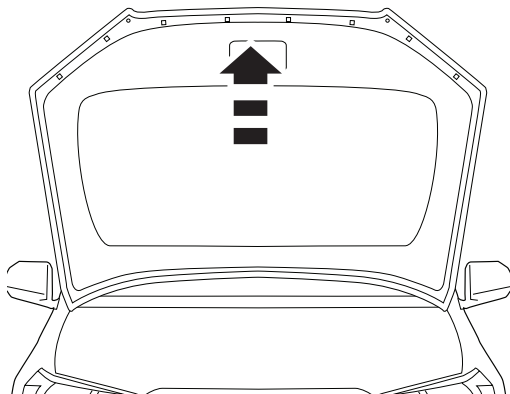
Appropriate hand tools

### Preparation Before Painting / Installation

- A trial fit is recommended to ensure proper positioning and fit.
- Check fit of parts before painting as we will not accept the return of modified or painted parts.
- Wash and dry your vehicle to remove any debris and/or dirt from the installation area.

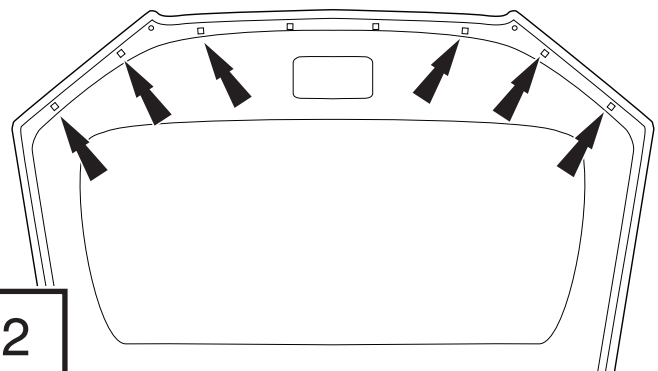
### Installation Steps **NOTE:** Actual application may vary slightly from illustrations.

Open Hood.



1

Note (6) holes along leading edge of hood.



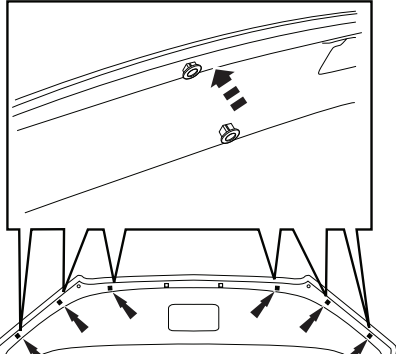
2

## Installation Steps

**NOTE:** Actual application may vary slightly from illustrations.

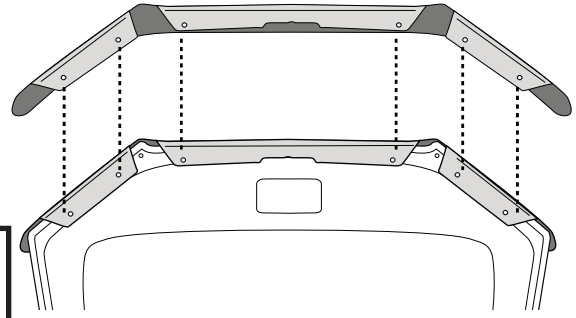


Press (6) hood inserts into hood at the locations identified in **Step 2**.



3

Center part on front edge of hood and align holes in hood shield with the previously installed Inserts.

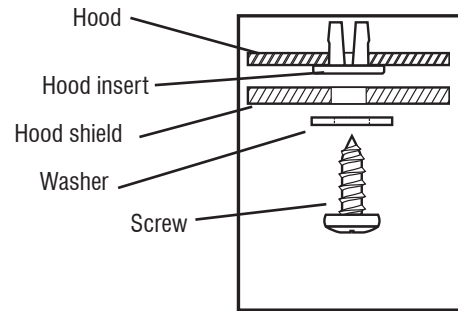
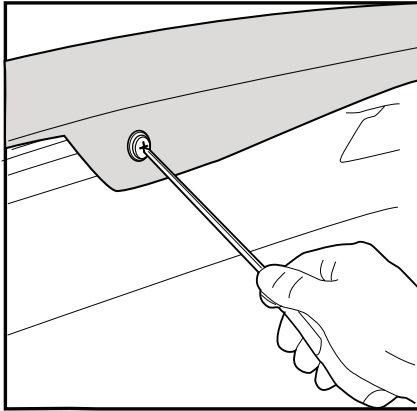


4

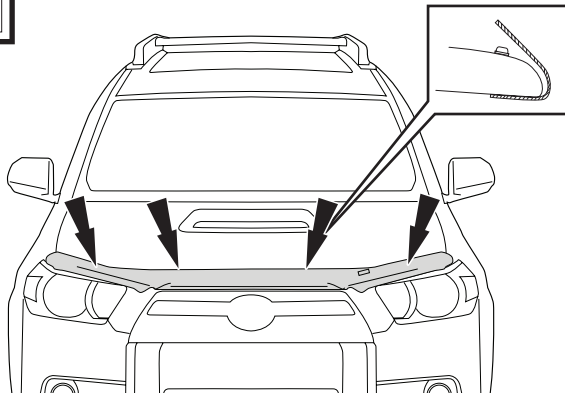


5

Secure hood shield to hood with a screw and washer at each hole location.



Close hood. Apply bump ons to surface of hood



6

## Care and Cleaning

- Wash only with mild soap & dry with a clean cloth.