

# WeatherTech®

## Easy-On™ Stone & Bug Deflectors

### Important Safety Information



- CAUTION - Before driving, ensure that the hood shield is properly secured to vehicle.
- Do not use automatic "brush-style" car washes.
- Do not use cleaning solvents of any kind.
- Periodically check all components for tightness.

### Contents

**NOTE:** Actual product may vary from illustration.



Hood shield



Alcohol Pad x2



Bump On x2

### Tools Required



Car Wash Supplies



Clean Towel

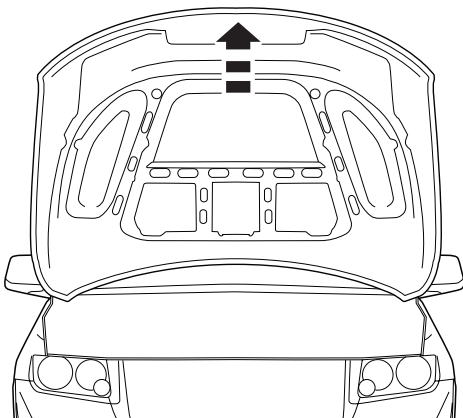
### Preparation Before Painting / Installation

- A trial fit is recommended to ensure proper positioning and fit.
- Check fit of parts before painting as we will not accept the return of modified or painted parts.
- Wash and dry your vehicle to remove any debris and/or dirt from the installation area.

### Installation Steps

**NOTE:** Actual application may vary slightly from illustrations.

Open hood.



1



Thoroughly clean underside of the leading edge of hood with the enclosed alcohol pads and allow to dry.

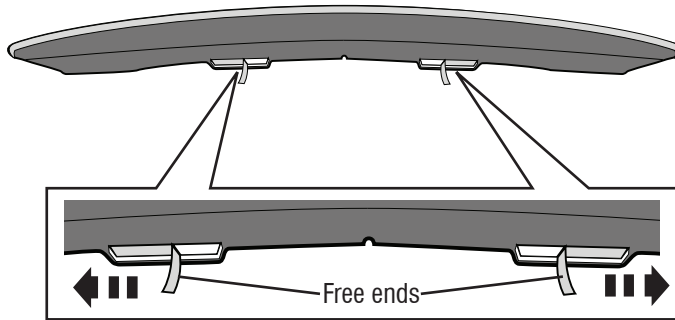


2

## Installation Steps

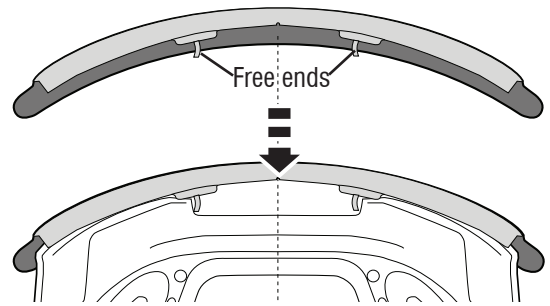
**NOTE:** Actual application may vary slightly from illustrations.

Peel back 2" (5 cm) of tape liner from each flange.



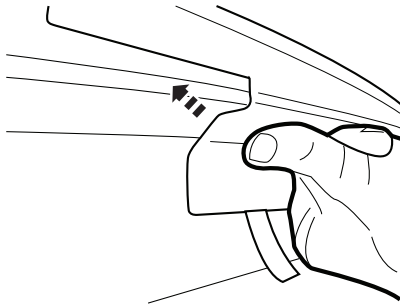
3

Center hood shield on hood. Ensure free ends of tape liner are accessible.



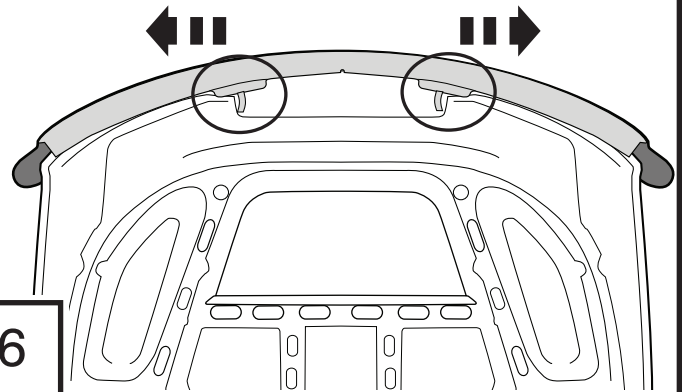
4

Press and hold hood shield against underside lip (leading edge) of hood while peeling off remaining tape liner.



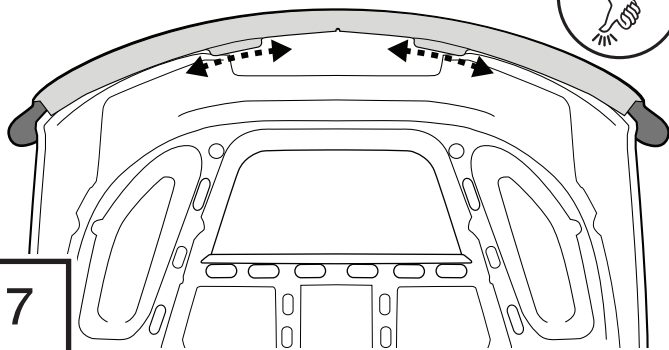
5

Remove remaining tape liner by pulling on the free ends.



6

Apply pressure to both flanges to ensure proper adhesion of tape.



7

Adjust bumper stops as needed to ensure hood shield clears grille and headlights. Close hood, Install (2) bump ons at pre-cleaned areas of hood surface.



8

## Care and Cleaning

- Wash only with mild soap & dry with a clean cloth.