

# WeatherTech®

## Easy-On™ Stone & Bug Deflectors

### Important Safety Information



- CAUTION - Before driving, ensure that the hood shield is properly anchored to vehicle.
- Do not use automatic “brush-style” car washes.
- Do not use cleaning solvents of any kind.
- Periodically check all components for tightness.

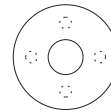
### Contents **NOTE:** Actual product may vary from illustration.



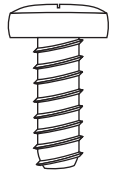
Hood Shield



Bump On x4



Plastic Washer x4  
(98032)

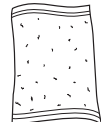


Screw x4  
(98046)

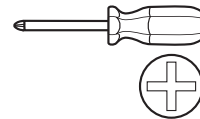
### Tools Required



Car Wash Supplies



Clean Towel



Appropriate hand tools

### Preparation Before Painting / Installation

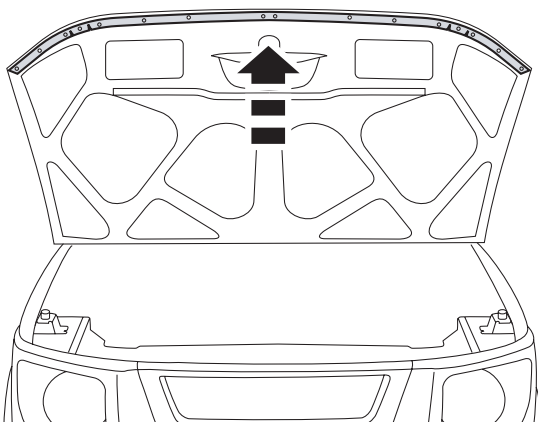
- A trial fit is recommended to ensure proper positioning and fit.
- Check fit of parts before painting as we will not accept the return of modified or painted parts.
- Wash your vehicle's hood to remove any debris and/or dirt.
- Dry the hood with a clean towel.
- Do NOT install hood shield if vehicle does NOT have a factory installed hood seal / gasket.

### Installation Steps **NOTE:** Actual application may vary slightly from illustrations.

**NOTE:** Do NOT install hoodshield if vehicle does NOT have a factory installed front hood seal / gasket.

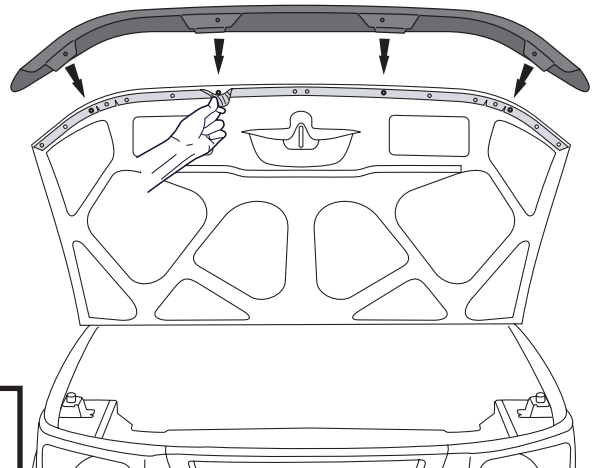
Open Hood.

1



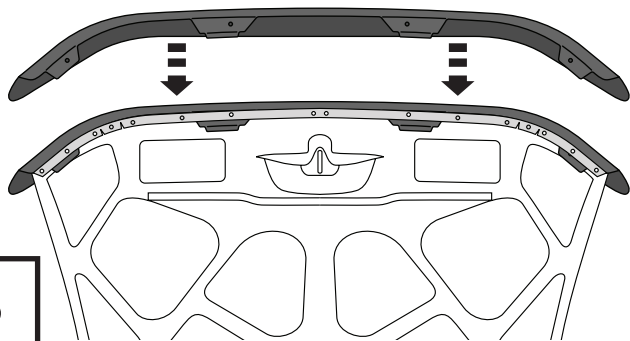
2

Remove (4) plastic seal retaining fasteners that align with the pre-drilled holes in the hood shield.



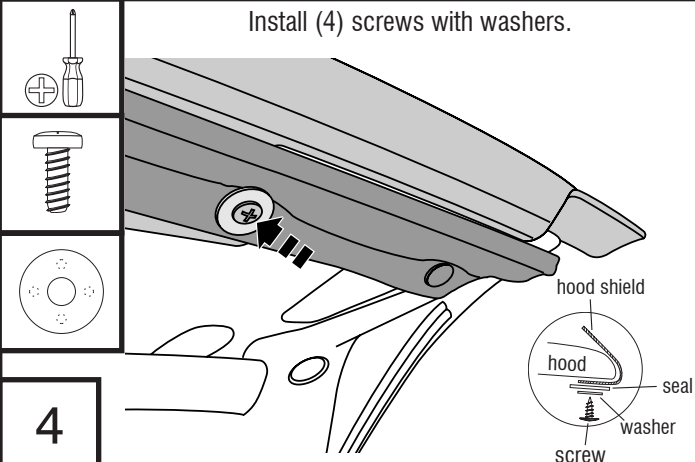
# Installation Steps **NOTE:** Actual application may vary slightly from illustrations.

Reposition the hood shield with the tabs sliding between the hood and rubber seal and align with holes.



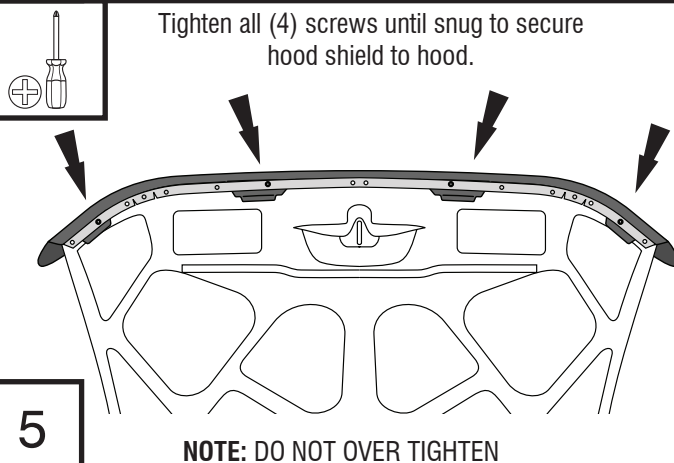
3

Install (4) screws with washers.



4

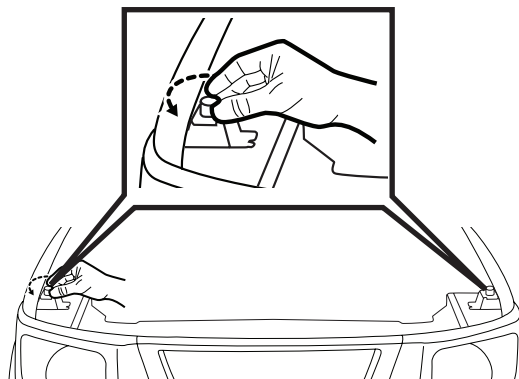
Tighten all (4) screws until snug to secure hood shield to hood.



5

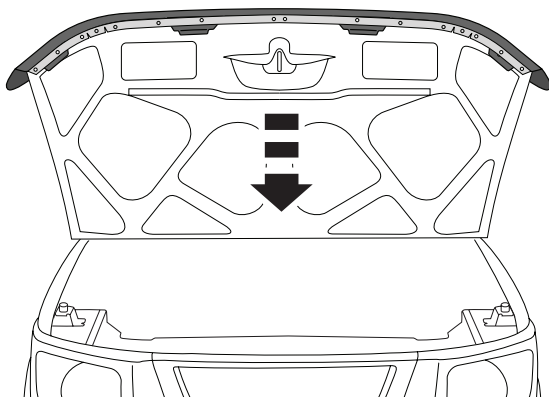
**NOTE: DO NOT OVER TIGHTEN**

Turn both of the hood bumpers counter clockwise 1 1/2 turns.



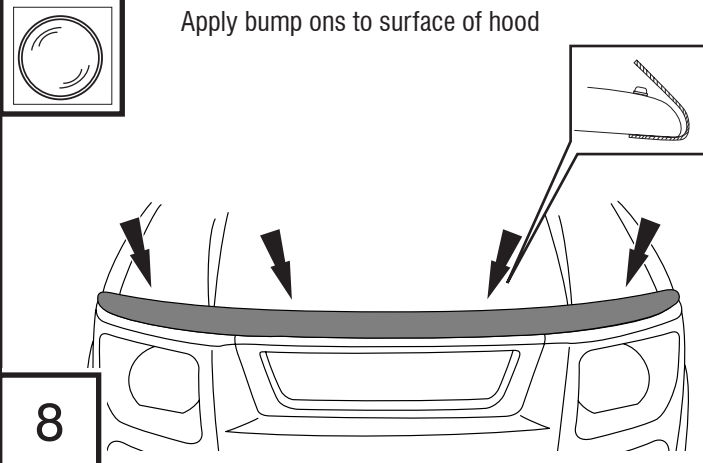
6

Close Hood.



7

Apply bump ons to surface of hood



8

## Care and Cleaning

- Wash only with mild soap & dry with a clean cloth.