

WeatherTech®

Easy-On™ Stone & Bug Deflectors

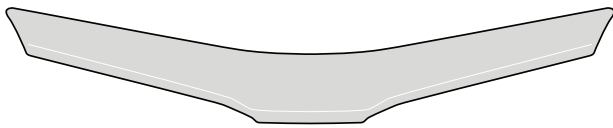
Important Safety Information



- CAUTION - Before driving, ensure that the hood shield is properly secured to vehicle.
- Do not use automatic “brush-style” car washes.
- Do not use cleaning solvents of any kind.
- Periodically check all components for tightness.

Contents

NOTE: Actual product may vary from illustration.



Hood shield



Bump On x4
(# 98024)

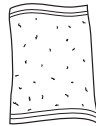


Fastener X4
(# 98059)

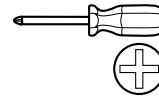
Tools Required



Car Wash Supplies



Clean Towel



Phillips Head Screwdriver

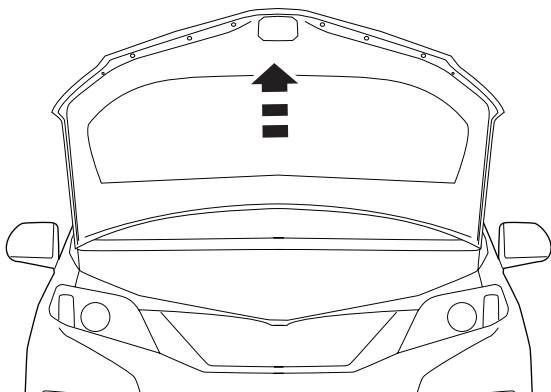
Preparation Before Painting / Installation

- A trial fit is recommended to ensure proper positioning and fit.
- Check fit of parts before painting as we will not accept the return of modified or painted parts.
- Wash and dry your vehicle to remove any debris and/or dirt from the installation area.

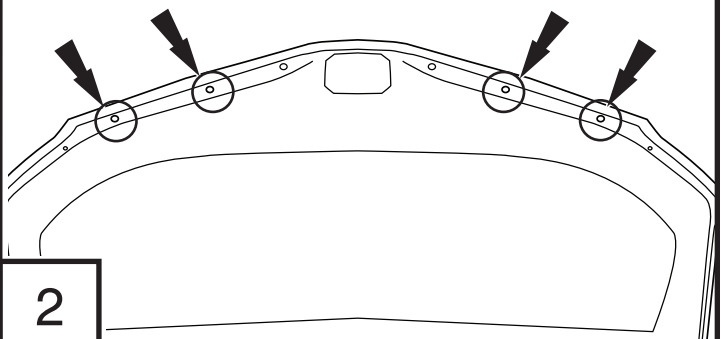
Installation Steps

NOTE: Actual application may vary slightly from illustrations.

Raise Hood.



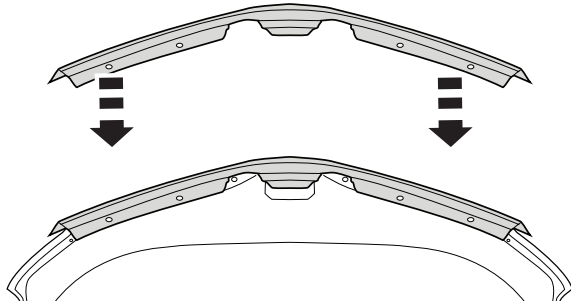
Locate (4) circular holes on the underside of hood.
Clean the area around holes with a clean cloth.



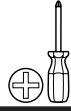
Installation Steps

NOTE: Actual application may vary slightly from illustrations.

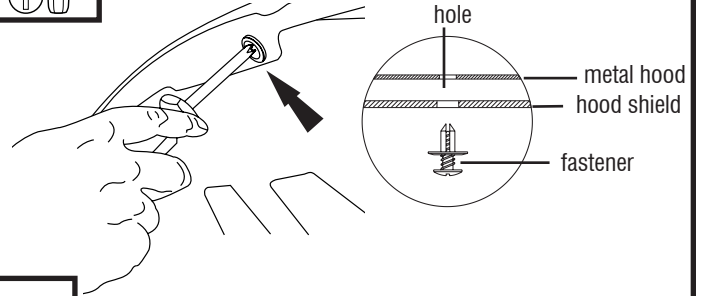
Align holes in hood shield with holes in underside of hood.



3



Install (4) fasteners with phillips head screwdriver.

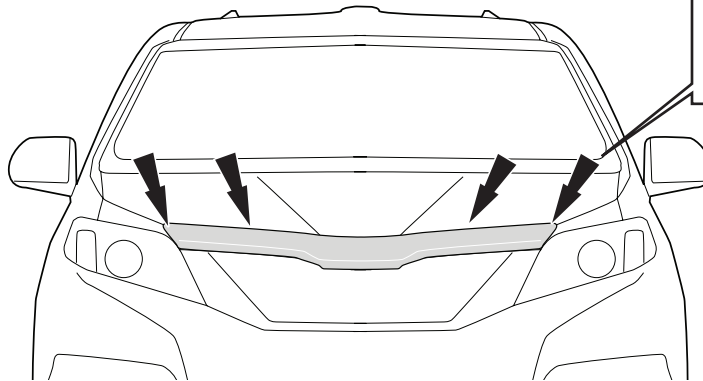


4

DO NOT OVERTIGHTEN.



Apply (4) bump on's to hood surface.



5

Care and Cleaning

- Wash only with mild soap & dry with a clean cloth.