

# WeatherTech®

## Easy-On™ Stone & Bug Deflectors

### Important Safety Information



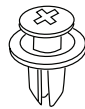
- CAUTION - Before driving, ensure that the hood shield is properly secured to vehicle.
- Do not use automatic "brush-style" car washes.
- Do not use cleaning solvents of any kind.
- Periodically check all components for tightness.

### Contents

**NOTE:** Actual product may vary from illustration.



Hood shield



Fastener x3  
(98028 & 98029)



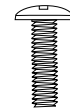
Protective Film x1  
(45-3601)



Self Tapping Screw x1  
(98023)



White Plastic  
Washer x1  
(98022)



Machine Screw x1  
(04-4128)



Black Plastic  
Washer x1  
(37-4106)



Bracket x1  
(39-1956)



Bump On x4  
(98024)

### Tools Required



Car Wash Supplies



Clean Towel



Phillips  
screwdriver



Grease pencil

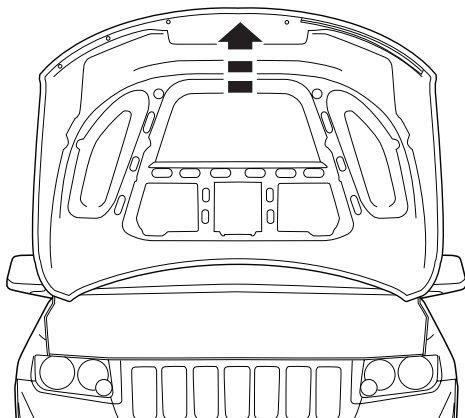
### Preparation Before Painting / Installation

- A trial fit is recommended to ensure proper positioning and fit.
- Check fit of parts before painting as we will not accept the return of modified or painted parts.
- Wash and dry your vehicle to remove any debris and/or dirt from the installation area.

### Installation Steps

**NOTE:** Actual application may vary slightly from illustrations.

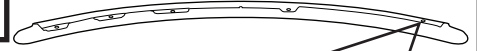
Open hood.



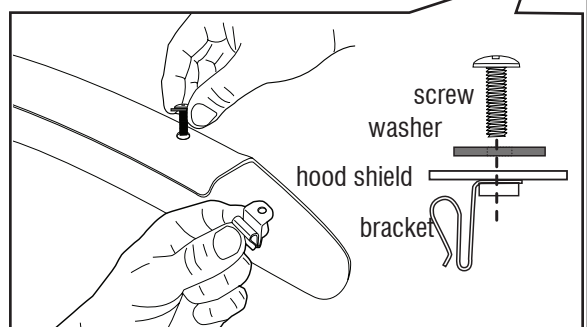
1



Install bracket on hood shield flange using machine screw and black washer.



2



screw  
washer

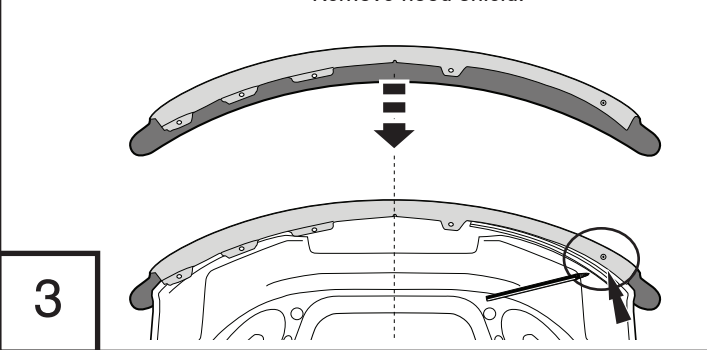
hood shield

bracket

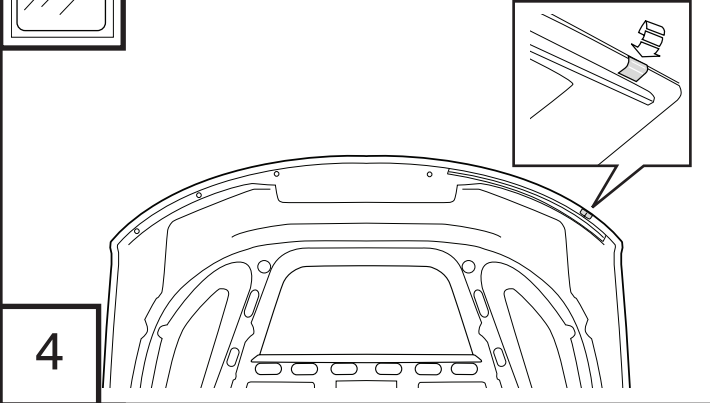
# Installation Steps

**NOTE:** Actual application may vary slightly from illustrations.

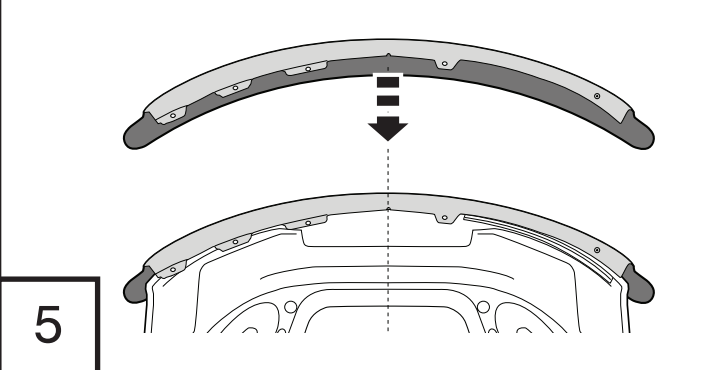
Align holes in hood shield with holes in hood in order to center part in place. Note the location where the bracket will align with hood edge and mark with a grease pencil. Remove hood shield.



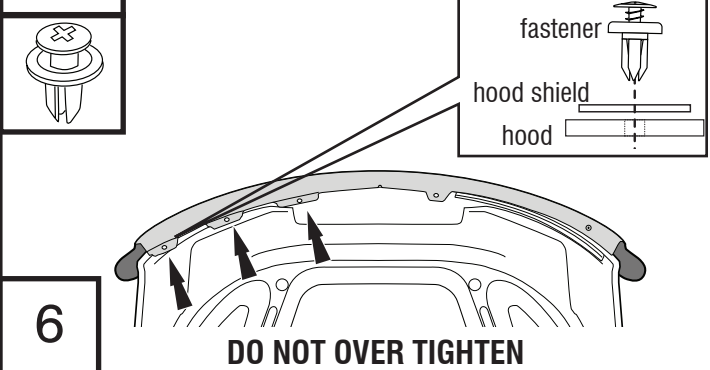
Center protective film over grease pencil mark, and wrap around the hood edge.



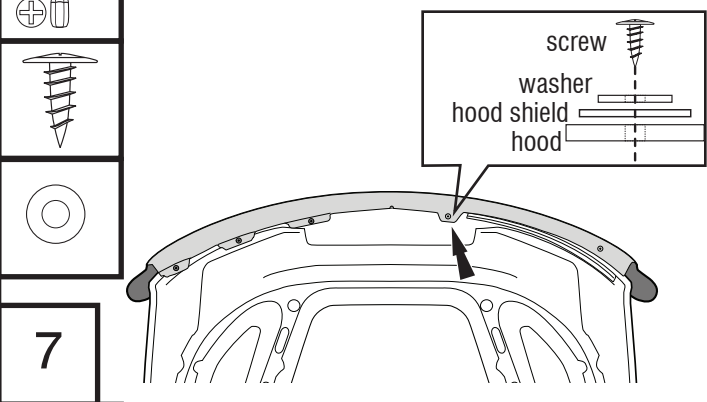
Position hood shield back in place on hood. Ensure that the holes in hood shield are properly aligned with the holes in the hood and that the bracket aligns with the protective film.



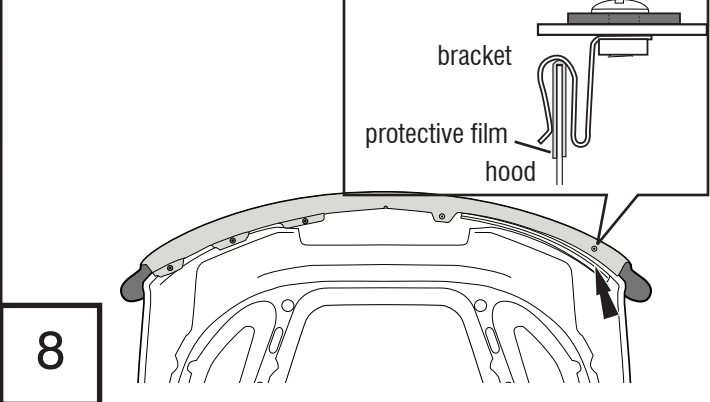
Insert (1) fastener through the hood shield and into the hood and securely tighten. Repeat for remaining (2) fasteners.



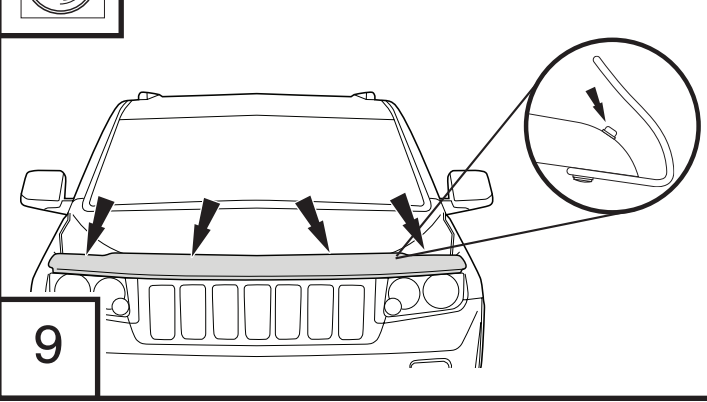
Insert self tapping screw with washer through the hood shield and into the hood. Securely tighten.



Slide bracket over hood edge, ensuring that it is centered on the protective film previously installed in Step 4.



Close hood and install bump ons at pre-cleaned locations on the painted hood surface.



## Care and Cleaning

- Wash only with mild soap & dry with a clean cloth.