

# WeatherTech®

## Easy-On™ Stone & Bug Deflectors

### Important Safety Information



- CAUTION - Before driving, ensure that the hood shield is properly secured to vehicle.
- Do not use automatic "brush-style" car washes.
- Do not use cleaning solvents of any kind.
- Periodically check all components for tightness.

### Contents

**NOTE:** Actual product may vary from illustration.



Hood shield



Bump On  
x4



Hood Insert  
x2



Washer  
x2



Screws  
x2

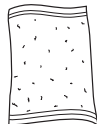


Fastener  
x2

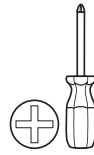
### Tools Required



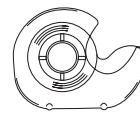
Car Wash Supplies



Clean Towel



Phillips  
screwdriver



Tape

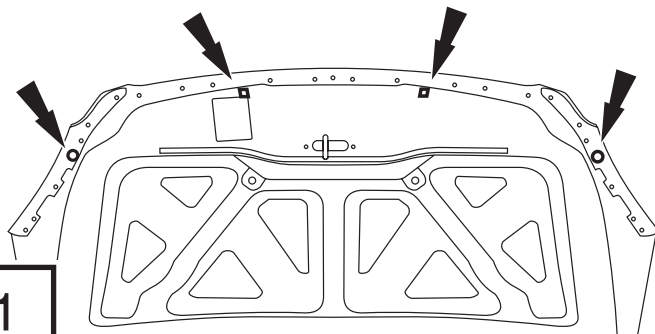
### Preparation Before Painting / Installation

- A trial fit is recommended to ensure proper positioning and fit.
- Check fit of parts before painting as we will not accept the return of modified or painted parts.
- Wash and dry your vehicle to remove any debris and/or dirt from the installation area.

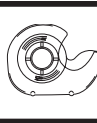
### Installation Steps

**NOTE:** Actual application may vary slightly from illustrations.

Open hood. Locate (2) square holes on the underside of hood and clean this area.

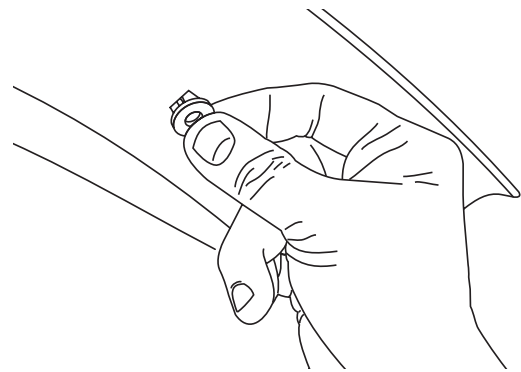


1



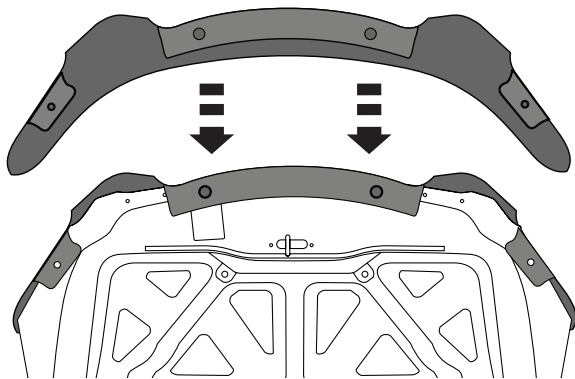
Press (2) hood inserts into the (2) square holes. If necessary use tape to hold them firmly in place.

2

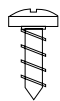


# Installation Steps **NOTE:** Actual application may vary slightly from illustrations.

Set the hood shield in place.

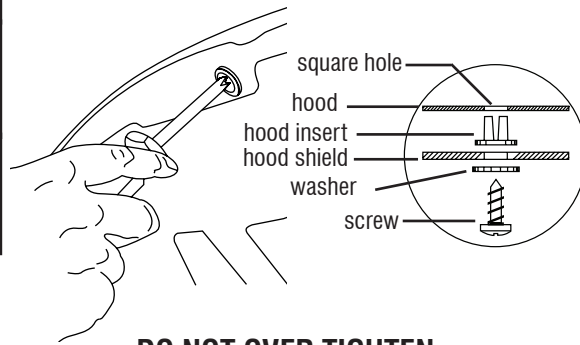


3



4

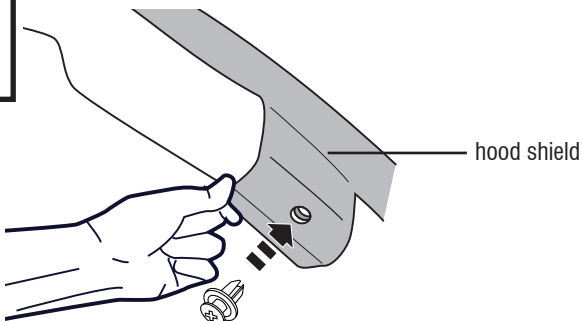
Using a phillips screwdriver install (2) screws with (2) washers through the hood inserts.



**DO NOT OVER TIGHTEN**

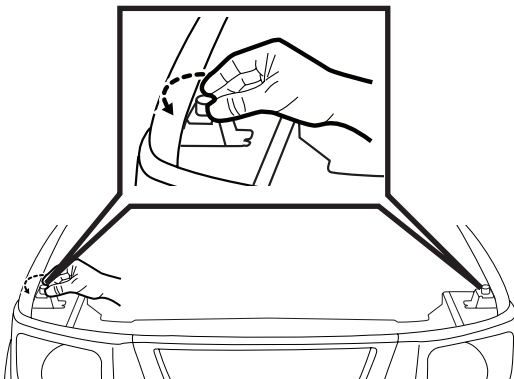


Insert (2) fasteners through hood shield and into the holes in hood. **NOTE:** Ensure that hood shield is pushed flat against hood for proper fastener installation.



5

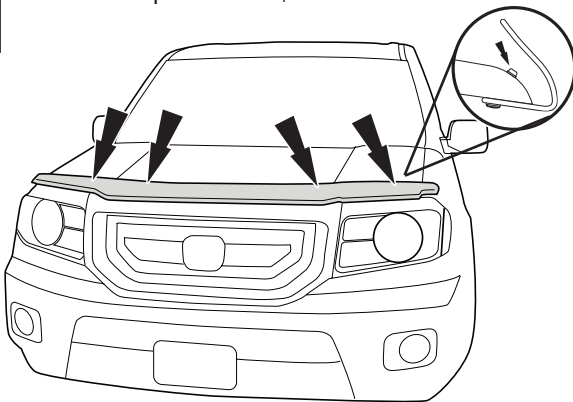
Adjust bumper stops as needed to ensure hood shield clears grille and headlights.



6



Install bump ons at pre-cleaned locations on the painted hood/fender surface.



7

## Care and Cleaning

- Wash only with mild soap & dry with a clean cloth.