

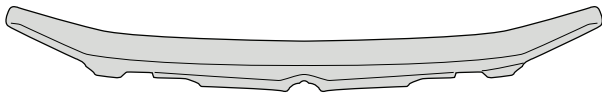
# WeatherTech®

## Easy-On™ Stone & Bug Deflectors

### Important Safety Information

- ⚠️ **CAUTION** - Before driving, ensure that the hood shield is properly anchored to vehicle.
- Do not use automatic “brush-style” car washes.
- Do not use cleaning solvents of any kind.
- Periodically check all components for tightness.

### Contents **NOTE:** Actual product may vary from illustration.



Hood Shield



Alcohol Pad

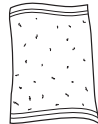


Bump On x4

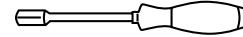
### Tools Required



Car Wash Supplies



Clean Towel



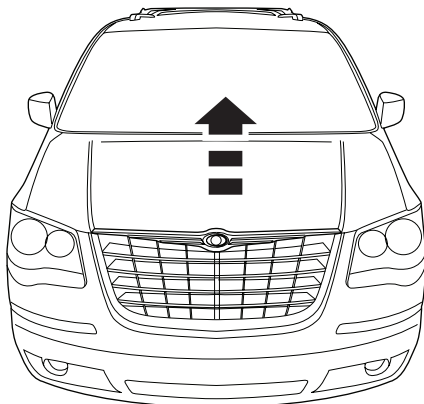
Nut Driver (8 mm)

### Preparation Before Painting / Installation

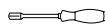
- A trial fit is recommended to ensure proper positioning and fit.
- Check fit of parts before painting as we will not accept the return of modified or painted parts.
- Wash and dry your vehicle to remove any debris and/or dirt from the installation area.

### Installation Steps **NOTE:** Actual application may vary slightly from illustrations.

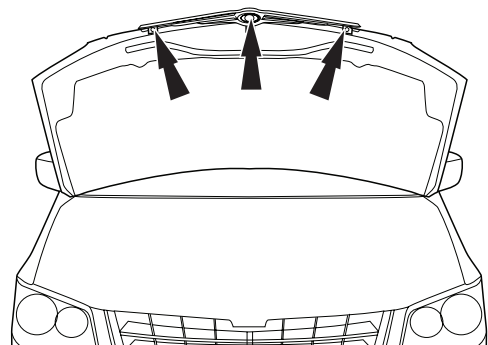
Open Hood.



1



Use an 8mm nut driver to remove (3) retaining nuts that attach the front grill applique to the hood.

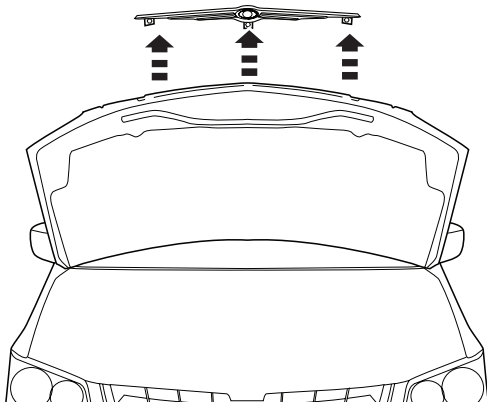


2

# Installation Steps

**NOTE:** Actual application may vary slightly from illustrations.

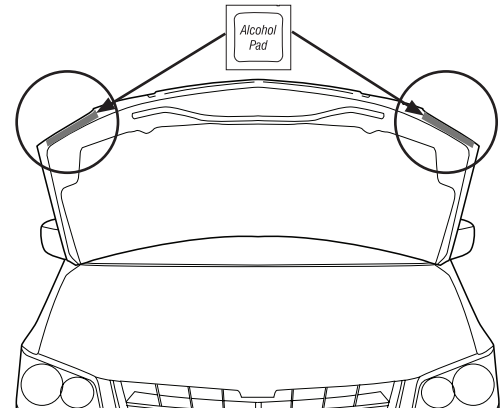
Carefully remove applique from hood.



3

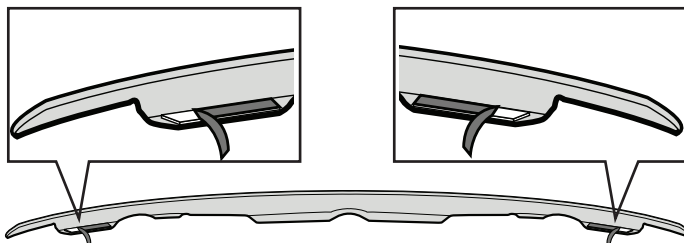
Alcohol Pad

Clean the edge of the hood with an alcohol pad.



4

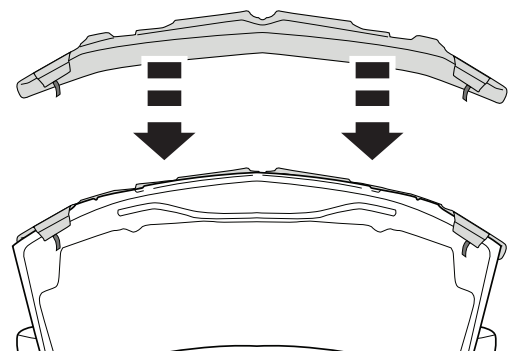
Expose 2 inches (5 cm) of tape liner on each of the flanges of the hood shield. Ensure that free ends of tape are accessible.



5

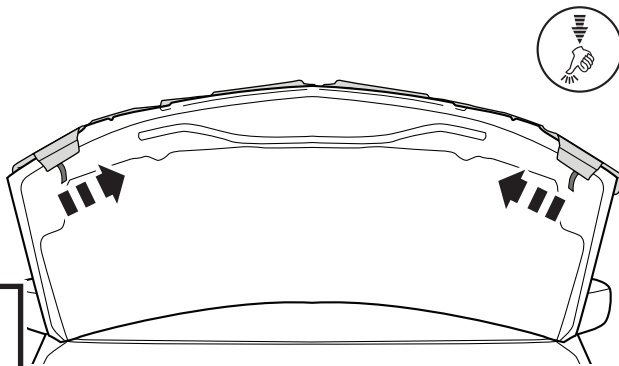
Free ends

Align hood shield with hood edge.



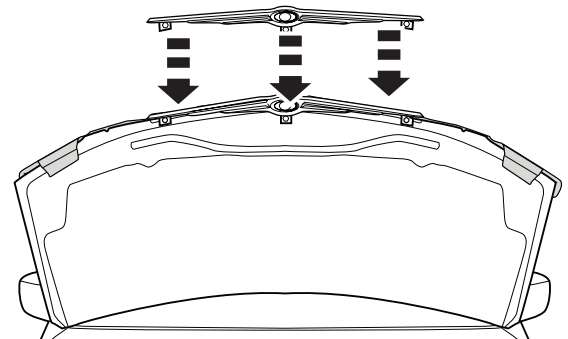
6

Remove remaining tape liner by pulling on free ends. Press firmly on flanges to ensure adhesion of tape to hood surface.



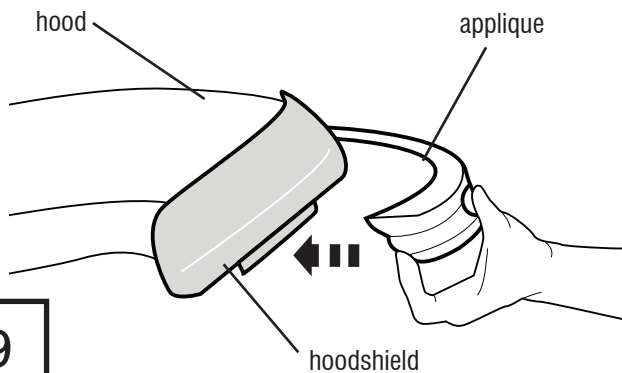
7

Carefully set the applique back into place on the hood.



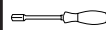
8

**NOTE:** The hoodshield should be **BETWEEN** the applique and the hood.

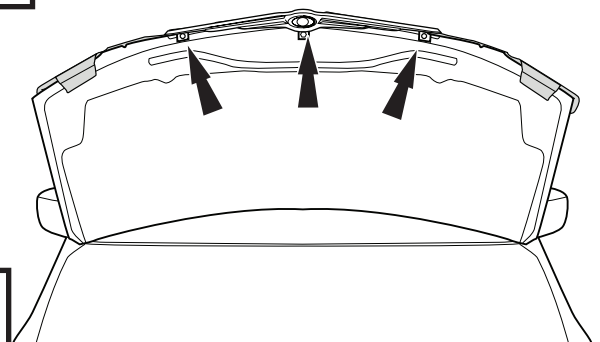


9

hoodshield



Use an 8mm nut driver to reinstall (3) retaining nuts that attach the front grill applique to the hood.

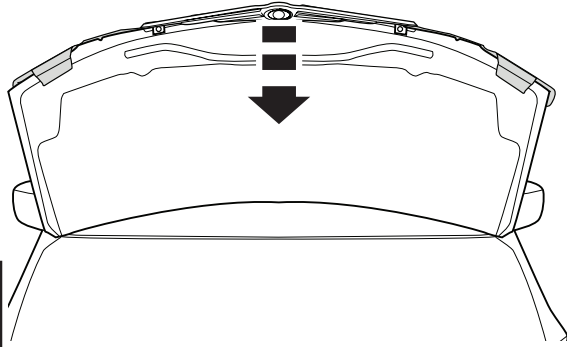


10

## Installation Steps

**NOTE:** Actual application may vary slightly from illustrations.

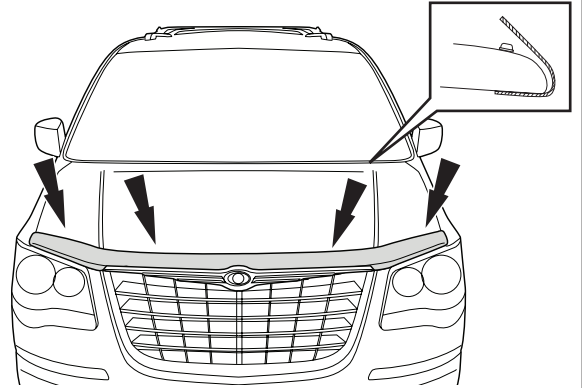
Close Hood.



11



Apply bump ons to surface of hood and fenders.



12

## Care and Cleaning

- Wash only with mild soap & dry with a clean cloth.